



Chipsmall Limited consists of a professional team with an average of over 10 year of expertise in the distribution of electronic components. Based in Hongkong, we have already established firm and mutual-benefit business relationships with customers from,Europe,America and south Asia,supplying obsolete and hard-to-find components to meet their specific needs.

With the principle of "Quality Parts,Customers Priority,Honest Operation,and Considerate Service",our business mainly focus on the distribution of electronic components. Line cards we deal with include Microchip,ALPS,ROHM,Xilinx,Pulse,ON,Everlight and Freescale. Main products comprise IC,Modules,Potentiometer,IC Socket,Relay,Connector.Our parts cover such applications as commercial,industrial, and automotives areas.

We are looking forward to setting up business relationship with you and hope to provide you with the best service and solution. Let us make a better world for our industry!



Contact us

Tel: +86-755-8981 8866 Fax: +86-755-8427 6832

Email & Skype: info@chipsmall.com Web: www.chipsmall.com

Address: A1208, Overseas Decoration Building, #122 Zhenhua RD., Futian, Shenzhen, China




CP2: 2108/2108H 2108 Part number 87610340


- \ 8 or 6-figure display, height 7 mm
- \ Totalizer:
 - 7 kHz and 40 Hz inputs
 - Max. counting capacity 99,999,999 impulses
- Hour counter/chronometer:
 - Start/stop/ inputs
 - 4 time ranges:
 - 99,999.9 hours - 99,999.9 min
 - 99,999.9 s - 99 h 59 min 59 s
 - Lithium battery powered
 - Reset either from front panel or remotely

Type	Description
87610340 2108	Impulse counter

Functions

Solid state input	▪
Display	8 digits LCD (2108) 6 digits LCD (2108H)
Height of digits	7 mm
Counting capacity	0 to 99 999 999 (2108)
Time ranges	(2108H) : 0 →99 999,9 h 0 →99 999,9 min 0 →99 999,9 s 0 →99 h 59 min 59 s
Time base	Quartz (precision ± 50 ppm)
Possibility of reloading current value	▪ (2108H)

Volt-free contact

Slow counting input (In.L)	40 Hz TOFF: 12 ms min TON: 12 ms min Current output: 52 µA max Leakage current in OFF state 0.2 µA max Residual voltage: 0.4 V max Volt-free contact or transistor NPN open collector
High-speed input (In.H)	7 kHz max TOFF: 70 µs min TON: 70 µs min Level 0: 0 to 1 VDC Level 1: 4 to 30 VDC Current consumption: 6 mA max at 24 VDC
Reset to zero	Volt-free contact or transistor NPN open collector: 12 ms min (2108) 100 ms min (2108)
Reset via	Front panel
Radiated field	IEC 1000-4-3, level 3, 10 V/ M 26 MHz to 1 GHz
fast transients	IEC 1000-4-4, level 3, 1KV
Damped oscillatory wave	IEC 255.4, level 3, 1 KV
Electrostatic discharge	IEC 1000-4-2, level 3, 8 KV

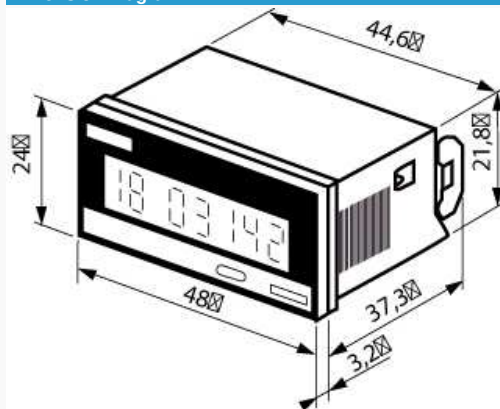
Material

Connection by screw terminals at rear of casing	5 terminals
Connection capacity	2 x 1.5 mm ²
Mounting	By bracket
Degree of protection front face	IP 66
Operating temperature range (°C)	0 →+55
Storage temperature range (°C)	-25 →+70
Conformity to standards VDE 0110 - ICE 664 - ICE 348 - ICE 255.4 - ICE 255.5 - ICE 801.2- ICE 801.4	▪
Weight (g)	60

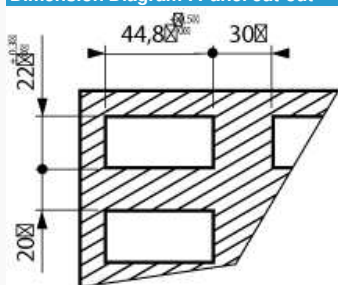
1 lithium battery - Life (years)

Accessories	Code
Adaptor for cut-out Ø 50 (dimensions Ø 73 mm)	26546829
Adaptor for cut-out 45 x 45 mm (dimensions 52 x 52 mm)	26546830

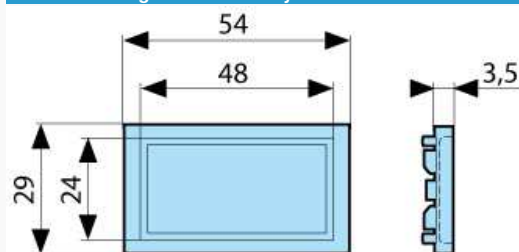
Dimension Diagram :



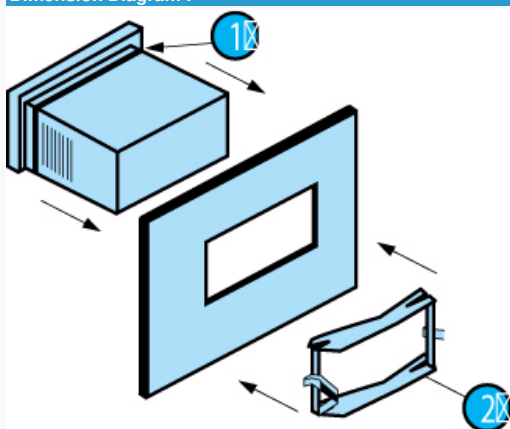
Dimension Diagram : Panel cut-out



Dimension Diagram : Accessory 2108 - 2108H

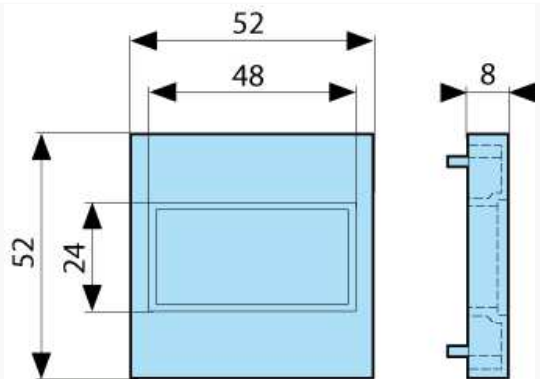


Dimension Diagram :

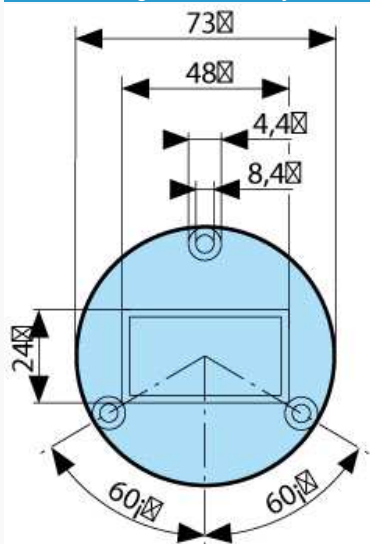


N°	Legend
1	Seal
2	Fixing bracket

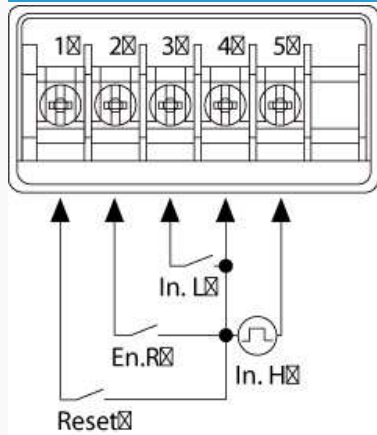
Dimension Diagram : Accessory 2108 - 2108H



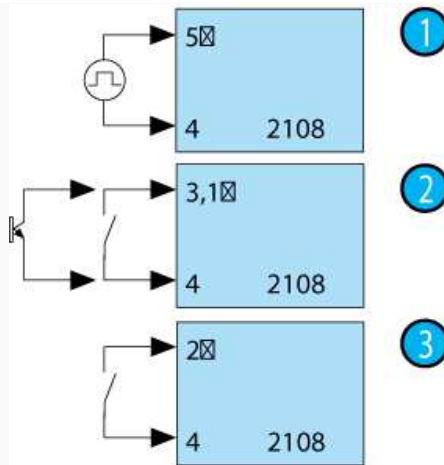
Dimension Diagram : Accessory 2108 - 2108H



: 2108



N°	Legend
1	Reset input
2	Enable reset
3	Slow counting
4	0V
5	High-speed counting



N°	Legend
1	High-speed counting input
2	Slow counting input and reset
3	Enable reset input