



Chipsmall Limited consists of a professional team with an average of over 10 year of expertise in the distribution of electronic components. Based in Hongkong, we have already established firm and mutual-benefit business relationships with customers from,Europe,America and south Asia,supplying obsolete and hard-to-find components to meet their specific needs.

With the principle of “Quality Parts,Customers Priority,Honest Operation,and Considerate Service”,our business mainly focus on the distribution of electronic components. Line cards we deal with include Microchip,ALPS,ROHM,Xilinx,Pulse,ON,Everlight and Freescale. Main products comprise IC,Modules,Potentiometer,IC Socket,Relay,Connector.Our parts cover such applications as commercial,industrial, and automotives areas.

We are looking forward to setting up business relationship with you and hope to provide you with the best service and solution. Let us make a better world for our industry!



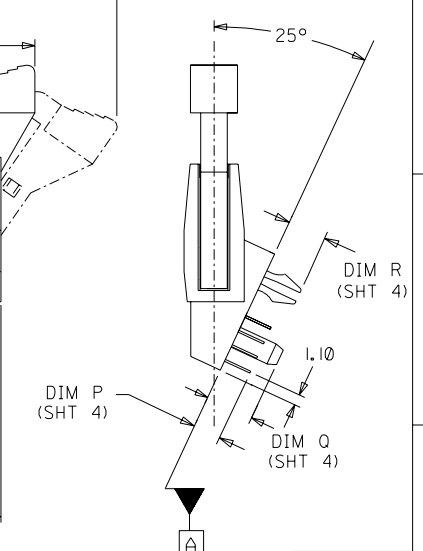
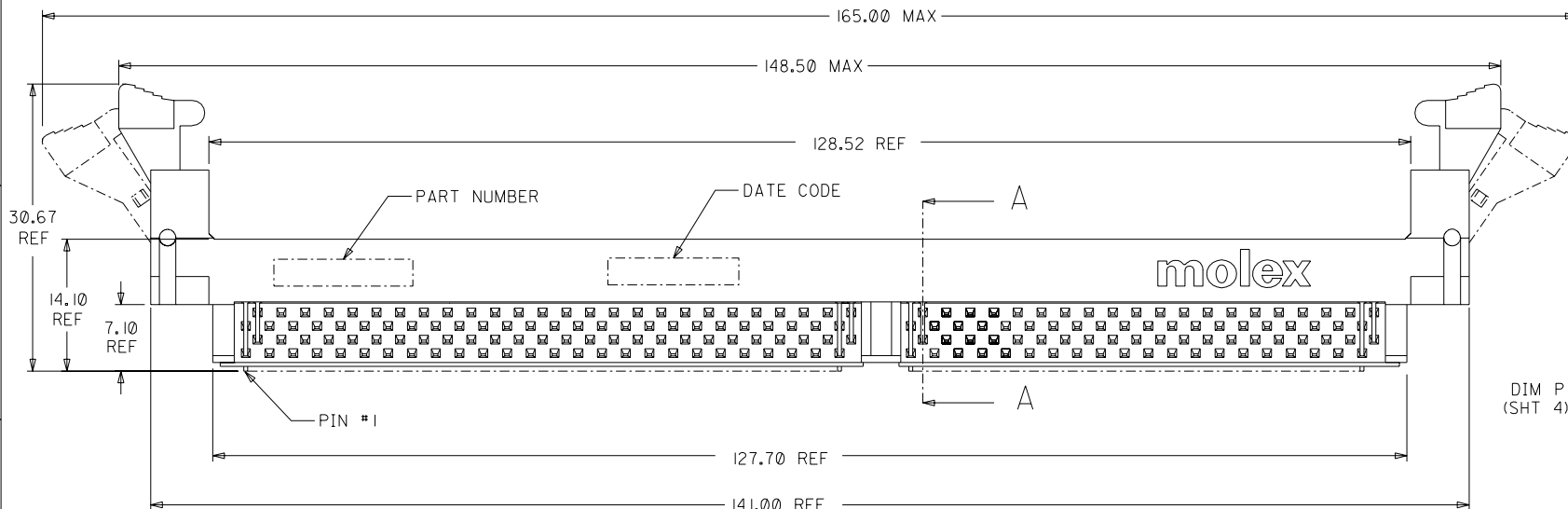
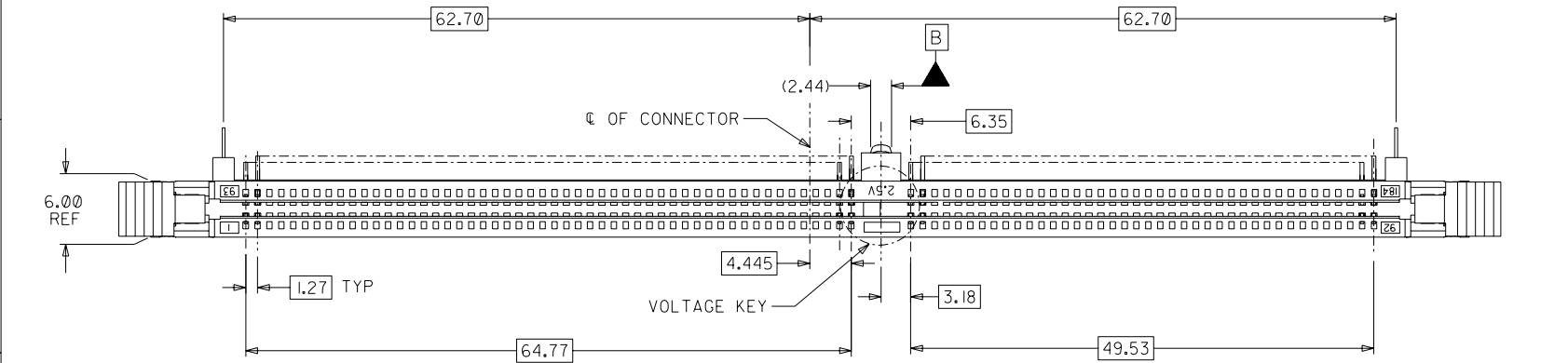
Contact us

Tel: +86-755-8981 8866 Fax: +86-755-8427 6832

Email & Skype: info@chipsmall.com Web: www.chipsmall.com

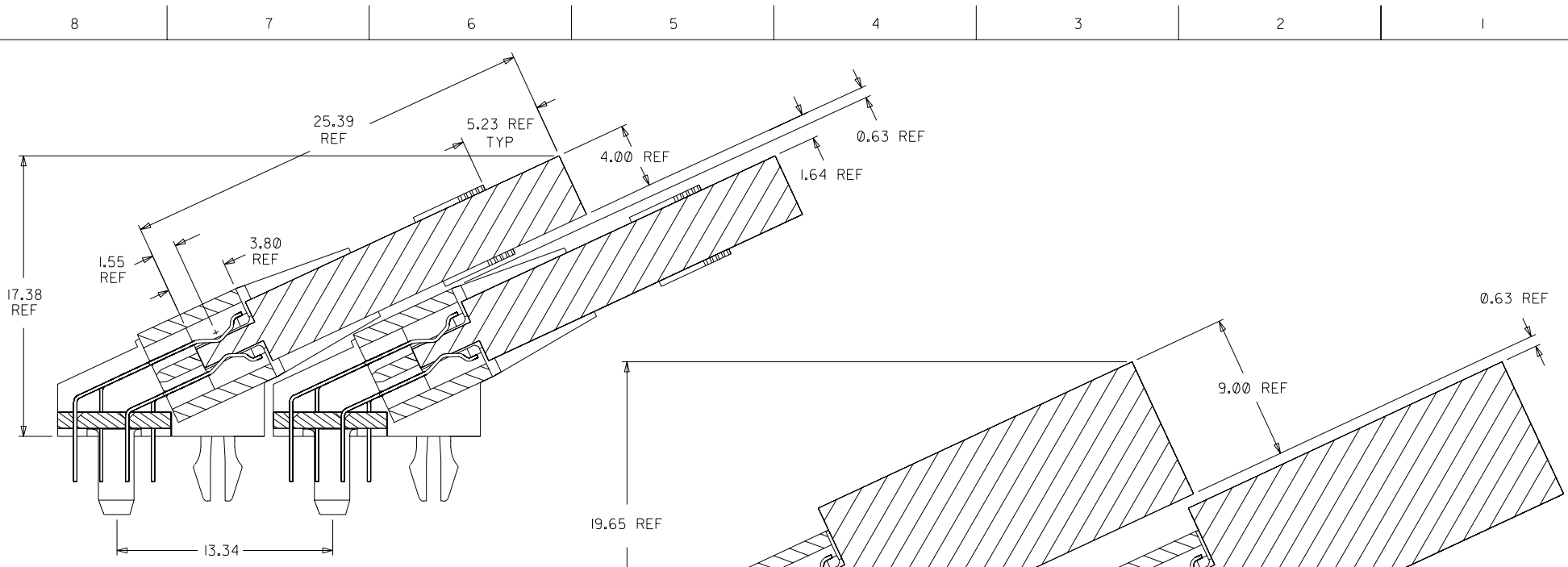
Address: A1208, Overseas Decoration Building, #122 Zhenhua RD., Futian, Shenzhen, China





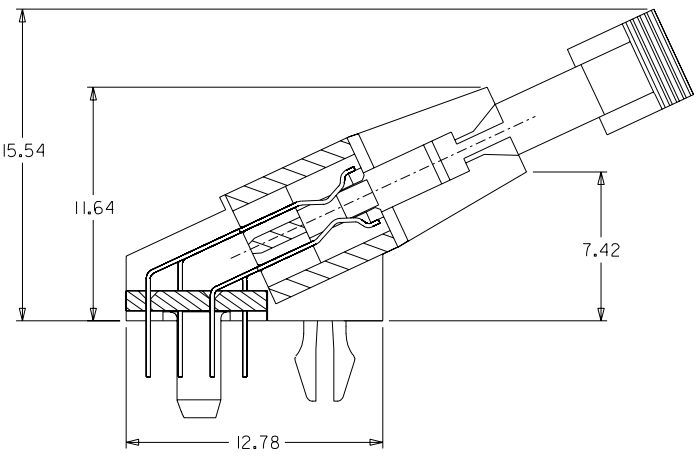
- NOTES:
- MATERIALS: HOUSING, BASEPLATE AND LATCH - HIGH TEMPERATURE THERMOPLASTIC, UL 94-V0
TERMINAL AND FORKLICK - COPPER ALLOY
 - FINISHES: CONTACT AREA: SEE TABLE ON SHEET 4
SOLDER TAILS: 2.54µm/100µ" MIN. TIN/LEAD
 - PRODUCT SPECIFICATIONS: PS-87623-002 FOR PERFORMANCE SPECIFICATIONS.
 - DATE CODE SHALL BE MARKED LEGIBLY AS SHOWN: XX XX
YEAR WEEK
 - PART NUMBER SHALL BE MARKED LEGIBLY AS SHOWN: 87623-0XXX
REFER TO TABLE

EC NO. S2003-0507 DRWN:SKHOANG030415 CHK: PT LIM 030513 APPR: SK TOH 030514	QUALITY SYMBOLS MAJOR ▲ = 0 CRITICAL ▽ = 0	GENERAL TOLERANCES: (UNLESS SPECIFIED)		SCALE	DESIGN UNITS	THIRD ANGLE PROJECTION	DIMENSIONS:		REV	
		4 PLACES	mm	INCH	NTS		<input checked="" type="checkbox"/> mm <input type="checkbox"/> INCH	<input type="checkbox"/> mm <input type="checkbox"/> INCH	<input checked="" type="checkbox"/> mm ONLY	SHT
A6	REV	3 PLACES	±0. ---	±.	DRAWN BY & DATE LPLIM 000110	TITLED: 1.27 MM PITCH, 184 CKTS, 25 DEG DDR DIMM	REVISE ON CAD ONLY			
		2 PLACES	±0. ---	±.			CHECKED BY & DATE DSOH 000202	MOLEX MOLEX INCORPORATED		
		1 PLACE	±0. ---	±.	APPROVED BY & DATE TOH 000202	MATERIAL NO. SEE TABLE		DRAWING NO. SD-87623-001	SHEET NO. 1 OF 4	
		ANGULAR: ± 5°		CAD FILENAME SD-87623-001.S01		DRAWING NO. SD-87623-001		SHEET NO. 1 OF 4		SIZE A3
THIS DRAWING CONTAINS INFORMATION THAT IS PROPRIETARY TO MOLEX INCORPORATED AND SHOULD NOT BE USED WITHOUT WRITTEN PERMISSION.										



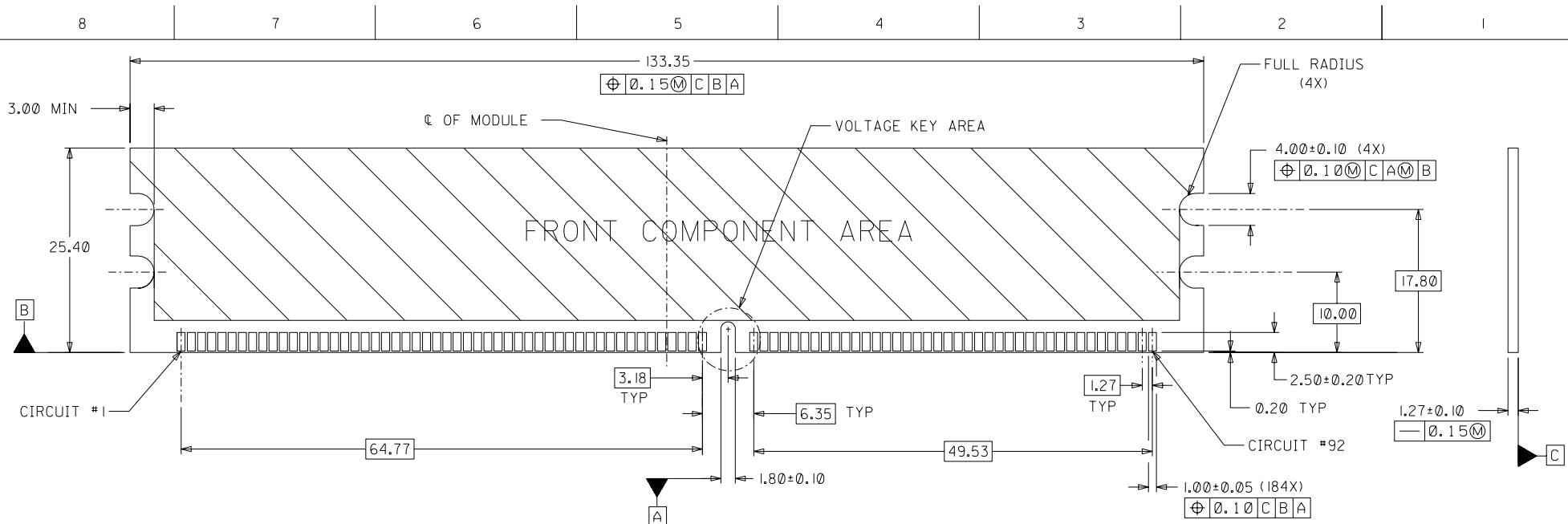
MINIMUM RECOMMENDED ROW TO ROW SPACING
WHEN USING A 4.00 mm THICK
MODULE (TYPICAL TSOP PACKAGING)

MINIMUM RECOMMENDED ROW TO ROW SPACING
WHEN USING A 9.00 mm THICK
MODULE (TYPICAL SOJ PACKAGING)



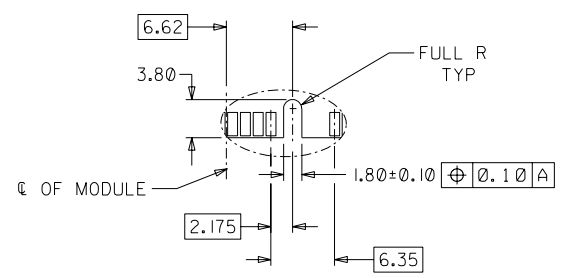
SECTION A-A

EC NO. S2003-0507 DRWN: VSKHOANG030415 CHK: PT LIM 030513 APPR: SK TOH 030514	QUALITY SYMBOLS	GENERAL TOLERANCES: (UNLESS SPECIFIED)	SCALE NTS	DESIGN UNITS <input checked="" type="checkbox"/> mm <input type="checkbox"/> INCH	THIRD ANGLE PROJECTION <input type="checkbox"/> mm <input type="checkbox"/> INCH <input checked="" type="checkbox"/> mm ONLY	SHT	REV						
	MAJOR ▼ = 0 CRITICAL ▽ = 0					4 PLACES ±0.--- ±.	3 PLACES ±0.--- ±.	2 PLACES ±0.25 ±.	1 PLACE ±0.--- ±.	ANGULAR: ± 5°	DRAWN BY & DATE LPLIM 000110		TITLE: 1.27 MM PITCH, 184 CKTS, 25 DEG DDR DIMM
A6	DESCRIPTION	CHECKED BY & DATE DSOH 000202			APPROVED BY & DATE TOH 000202			MATERIAL NO. SEE TABLE		DRAWING NO. SD-87623-001		SHEET NO. 2 OF 4	
	REV	THIS DRAWING CONTAINS INFORMATION THAT IS PROPRIETARY TO MOLEX INCORPORATED AND SHOULD NOT BE USED WITHOUT WRITTEN PERMISSION.			MOLEX INCORPORATED		SIZE A3						



RECOMMENDED MODULE LAYOUT
 (PER JEDEC STANDARD MO-206, 184 CKT.)
 UNLESS OTHERWISE SPECIFIED, GENERAL TOLERANCE FOR MODULE = ± 0.13

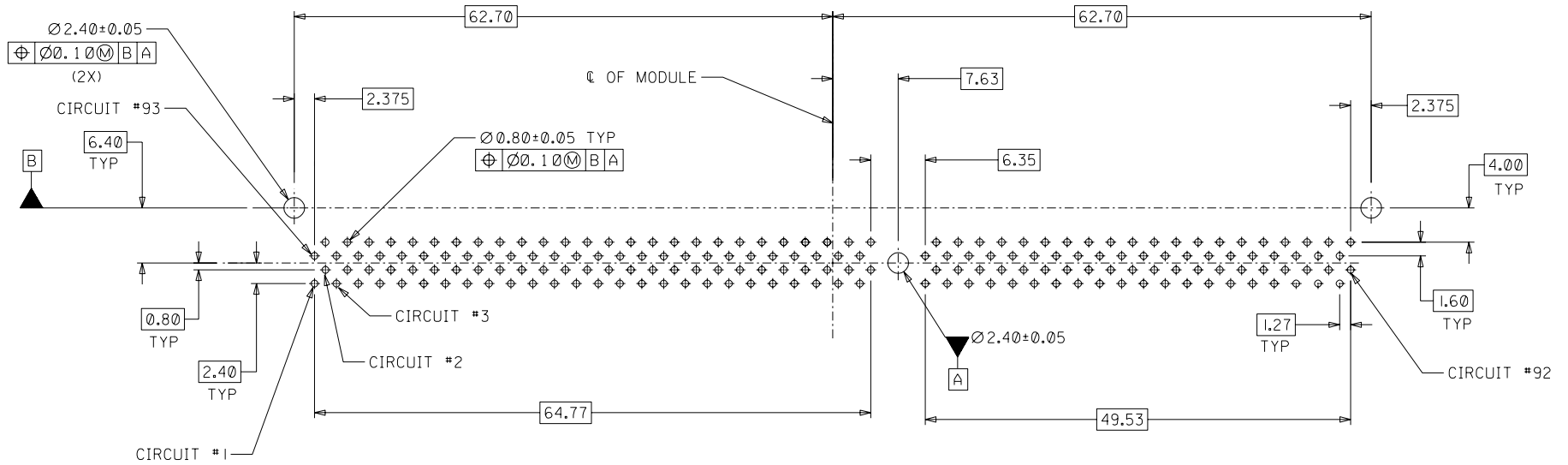
VOLTAGE KEY AREA



OFFSET LEFT KEY
 (2.5 VOLTS)

EC NO. S2003-0507 DRWN: VSKHOANG030415 CHK: PT LIM 030513 APPR: SK TOH 030514	QUALITY SYMBOLS MAJOR $\blacktriangledown = 0$ CRITICAL $\blacktriangledown = 0$	GENERAL TOLERANCES: (UNLESS SPECIFIED)		SCALE NTS	DESIGN UNITS <input checked="" type="checkbox"/> mm <input type="checkbox"/> INCH	<input checked="" type="checkbox"/> THIRD ANGLE PROJECTION	DIMENSIONS: <input type="checkbox"/> mm <input type="checkbox"/> INCH <input type="checkbox"/> mm <input checked="" type="checkbox"/> mm ONLY	SHT REV
		4 PLACES $\pm 0.---$	mm INCH	DRAWN BY & DATE LPLIM 000110	TITLE: 1.27 MM PITCH, 184 CKTS, 25 DEG DDR DIMM			
		3 PLACES $\pm 0.---$	mm INCH	CHECKED BY & DATE DSOH 000202	MOLEX INCORPORATED			
		2 PLACES ± 0.25	mm INCH	APPROVED BY & DATE TOH 000202	CAD FILENAME SD-87623-001.S03	MATERIAL NO. SEE TABLE	DRAWING NO. SD-87623-001	SHEET NO. 3 OF 4
1 PLACE $\pm 0.---$	mm INCH	ANGULAR: $\pm 5^\circ$	THIS DRAWING CONTAINS INFORMATION THAT IS PROPRIETARY TO MOLEX INCORPORATED AND SHOULD NOT BE USED WITHOUT WRITTEN PERMISSION.			SIZE A3		

MATERIAL NO.	VOLTAGE KEY	CKT SIZE	TAIL LENGTH P±0.25	PEG LENGTH Q±0.25	FORK LENGTH R±0.25	RECOMMENDED PCB THICKNESS	FINISHES: CONTACT AREA
87623-0001	LEFT (2.5V)	184	2.79	3.18	3.18	1.57	SELECTIVE GOLD 0.38µM/15µ" MIN. GOLD OVER 1.27µM/50µ" MIN. NICKEL
87623-0011			3.18	4.83	3.94		
87623-0012			3.18	3.18	3.18		
87623-0013			3.81	4.83	4.42	2.84	SELECTIVE GOLD 0.76µM/30µ" MIN. GOLD OVER 1.27µM/50µ" MIN. NICKEL
87623-0101			2.79	3.18	3.18		
87623-0111			3.18	4.83	3.94		
87623-0113			3.81	4.83	4.42	2.84	



RECOMMENDED
P.C. BOARD HOLE PATTERN
(CONNECTOR SIDE)

EC NO. S2003-0507 DRAWN:SKHOANG030415 CHK:PT LIM 030513 APPR:SK TOH 030514	QUALITY SYMBOLS MAJOR ▼ = 0 CRITICAL ▽ = 0	GENERAL TOLERANCES: (UNLESS SPECIFIED)		SCALE NTS	DESIGN UNITS <input checked="" type="checkbox"/> mm <input type="checkbox"/> INCH	THIRD ANGLE PROJECTION <input checked="" type="checkbox"/> mm <input type="checkbox"/> INCH	SHT	REV
		4 PLACES ±0. --- ±.	3 PLACES ±0. --- ±.	2 PLACES ±0.25 ±.	1 PLACE ±0. --- ±.	ANGULAR: ± 5°	DRAWN BY & DATE L.P.LIM 000110	TITLE: 1.27 MM PITCH, 184 CKTS, 25 DEG DDR DIMM
A6	REV				CHECKED BY & DATE DSOH 000202	APPROVED BY & DATE TOH 000202		
					CAD FILENAME SD-87623-001.S04	MATERIAL NO. SEE TABLE	DRAWING NO. SD-87623-001	SHEET NO. 4 OF 4
THIS DRAWING CONTAINS INFORMATION THAT IS PROPRIETARY TO MOLEX INCORPORATED AND SHOULD NOT BE USED WITHOUT WRITTEN PERMISSION.								SIZE A3