



Chipsmall Limited consists of a professional team with an average of over 10 year of expertise in the distribution of electronic components. Based in Hongkong, we have already established firm and mutual-benefit business relationships with customers from,Europe,America and south Asia,supplying obsolete and hard-to-find components to meet their specific needs.

With the principle of “Quality Parts,Customers Priority,Honest Operation,and Considerate Service”,our business mainly focus on the distribution of electronic components. Line cards we deal with include Microchip,ALPS,ROHM,Xilinx,Pulse,ON,Everlight and Freescale. Main products comprise IC,Modules,Potentiometer,IC Socket,Relay,Connector.Our parts cover such applications as commercial,industrial, and automotives areas.

We are looking forward to setting up business relationship with you and hope to provide you with the best service and solution. Let us make a better world for our industry!



## Contact us

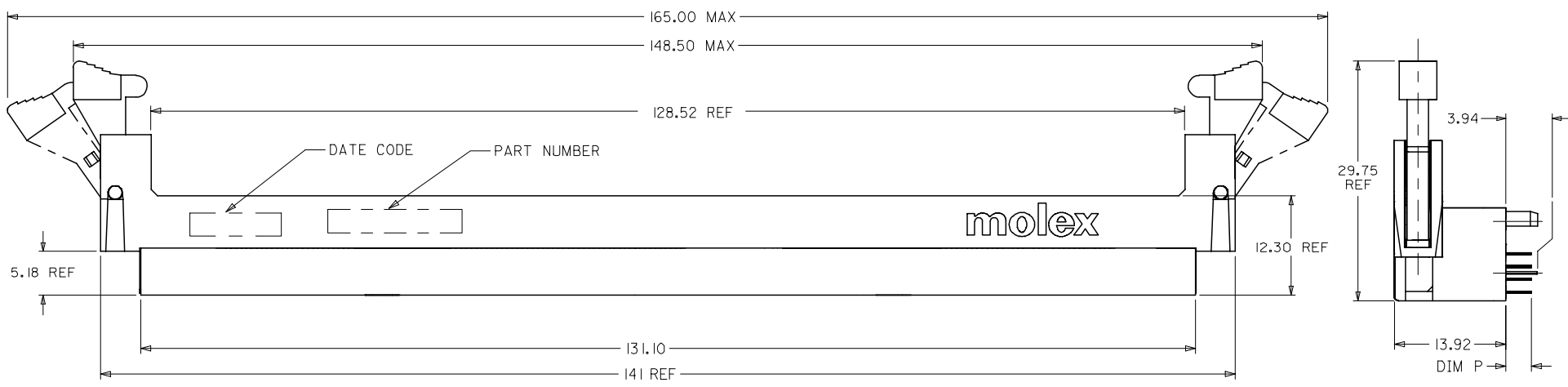
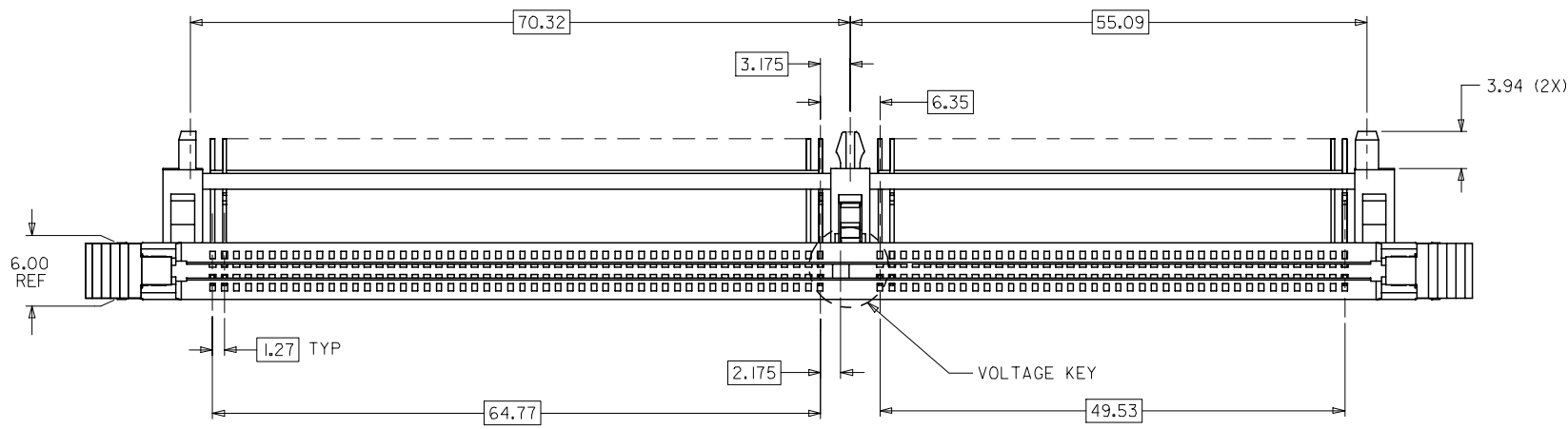
Tel: +86-755-8981 8866 Fax: +86-755-8427 6832

Email & Skype: info@chipsmall.com Web: www.chipsmall.com

Address: A1208, Overseas Decoration Building, #122 Zhenhua RD., Futian, Shenzhen, China



10 9 8 7 6 5 4 3 2 1



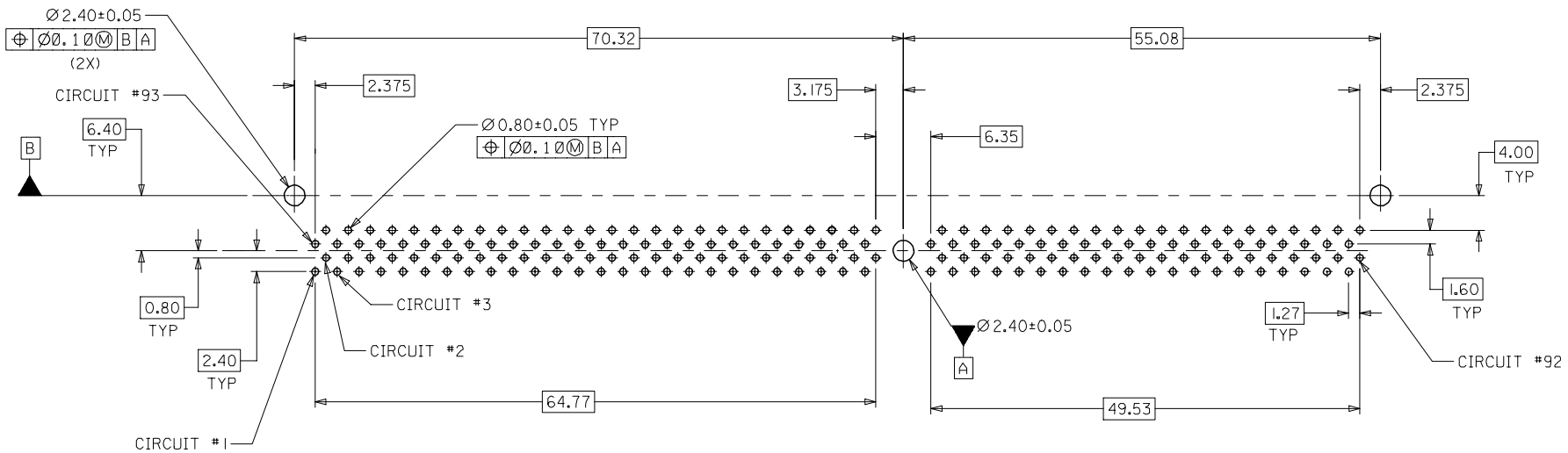
- NOTES:
- MATERIALS: HOUSING, BASEPLATE AND LATCH - HIGH TEMPERATURE THERMOPLASTIC, UL 94-V0 TERMINAL AND FORKLOCK - COPPER ALLOY
  - FINISHES: CONTACT AREA: 0.38um/15u" MIN. GOLD  
SOLDER TAIL: 2.54um/100u" MIN. TIN/LEAD OR TIN  
UNDERPLATE: 1.27um/50u" MIN. NICKEL

- PRODUCT SPECIFICATIONS: PS-87609-002 FOR PERFORMANCE SPECIFICATIONS.
- DATE CODE SHALL BE MARKED LEGIBLY AS SHOWN: XX XX YEAR WEEK
- PART NUMBER SHALL BE MARKED LEGIBLY AS SHOWN: 87655-OXXX REFER TO TABLE

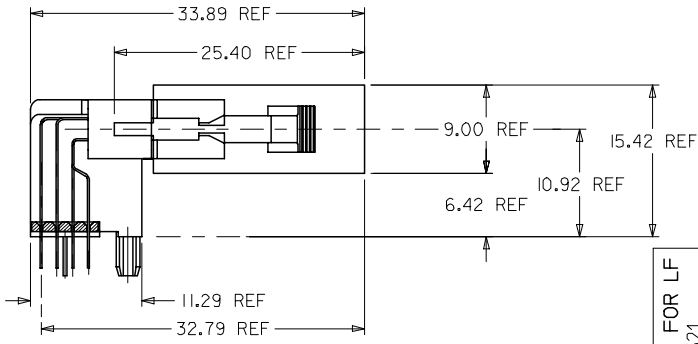
ADD ASSY P/N FOR LF EC NO: S2004-0521 DRAWN:MLONG 2004/09/08 CHKD:ATSEE 2004/09/08 APPR:SKTOH 2004/09/09	QUALITY SYMBOLS ▽=0 ▽=0	GENERAL TOLERANCES (UNLESS SPECIFIED)		DIMENSION STYLE MM ONLY	SCALE NTS	DESIGN UNITS METRIC	THIRD ANGLE PROJECTION			
		4 PLACES ± --- ± ---	3 PLACES ± --- ± ---	2 PLACES ± 0.25 ± ---	1 PLACE ± --- ± ---	mm	INCH	DRAWN BY MLONG	DATE 2000/12/21	TITLE SALES DRAWING DDR DIMM, 1.27MM PITCH 184 CKTS, R/A
		DRAFT WHERE APPLICABLE MUST REMAIN WITHIN DIMENSIONS		SEE TABLE		APPROVED BY SKTOH	DATE 2000/12/29	MOLEX INCORPORATED		
		MATERIAL NO.		DOCUMENT NO. SD-87655-001		SHEET NO. 1 OF 3				

9 8 7 6 5 4 3 2 1

PLATING OPTION	MATERIAL NO.	VOLTAGE KEY	TAIL LENGTH P±0.25	RECOMMENDED PCB THICKNESS
TIN/LEAD	87655-0001	LEFT (2.5V)	2.79	1.57
	87655-0002		3.18	
TIN	87655-0004	LEFT (2.5V)	2.79	1.57
	87655-0005		3.18	



RECOMMENDED  
P.C. BOARD HOLE PATTERN  
(CONNECTOR SIDE)



ACTUAL MODULE HEIGHT AND CLEARANCE  
WHEN USING A 9.00MM THICK BY 25.40MM HEIGHT  
MODULE (TYPICAL SOJ PACKAGING).

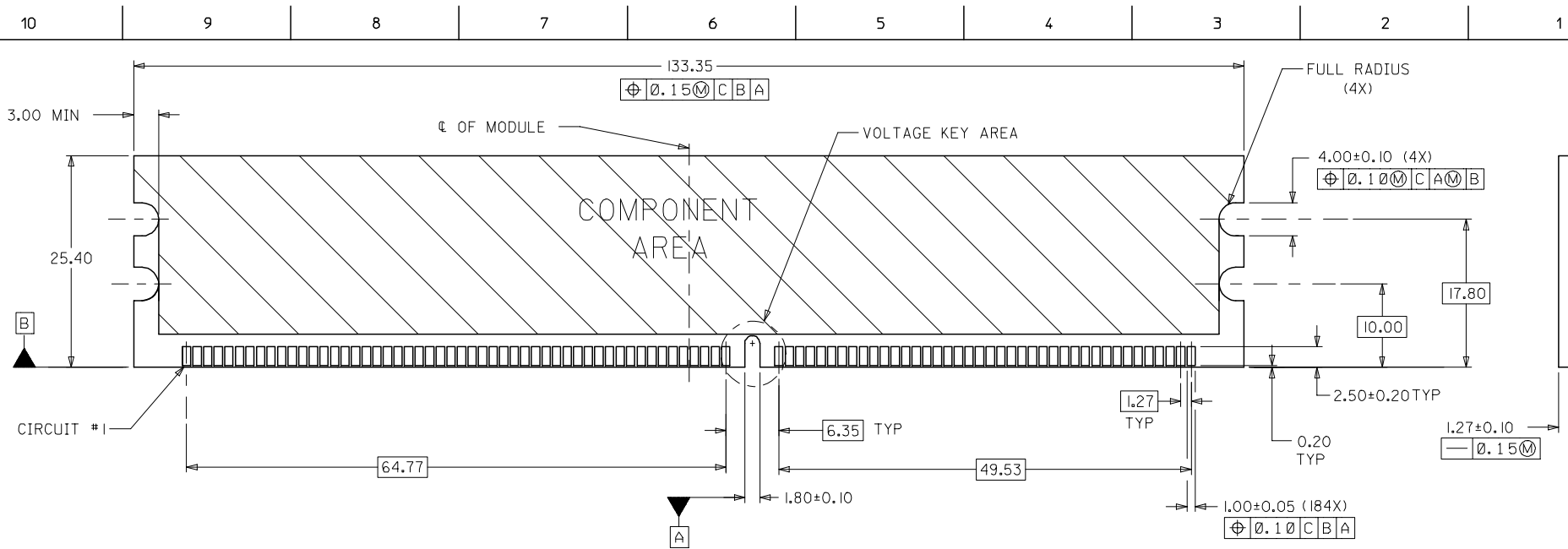
ADD ASSY P/N FOR LF	DESCRIPTION
EC NO: S2004-0521	2004/09/08
DRWN:MLONG	2004/09/08
CHKD:ATSEE	2004/09/08
APPR:SKTOH	2004/09/09

QUALITY SYMBOLS	DESCRIPTION
▽=0	
▽=0	

GENERAL TOLERANCES (UNLESS SPECIFIED)	
	ANGULAR ± 5 °
4 PLACES	± ---
3 PLACES	± ---
2 PLACES	± 0.25
1 PLACE	± ---
DRAFT WHERE APPLICABLE MUST REMAIN WITHIN DIMENSIONS	

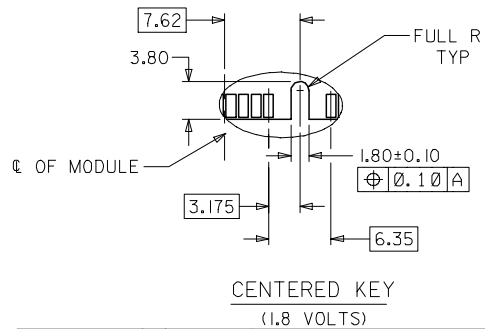
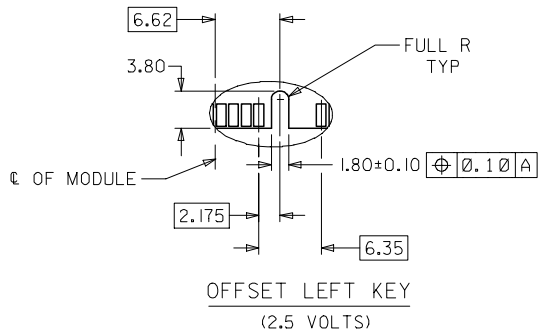
DIMENSION STYLE MM ONLY	
DRAWN BY	DATE
MLONG	2000/12/15
CHECKED BY	DATE
SQUEK	2000/12/29
APPROVED BY	DATE
SKTOH	2000/12/29
MATERIAL NO.	DOCUMENT NO.
SEE TABLE	SD-87655-001

SCALE	DESIGN UNITS	THIRD ANGLE PROJECTION
NTS	METRIC	
SALES DRAWING DDR DIMM, 1.27MM PITCH 184 CKTS, R/A		
MOLEX INCORPORATED		
MATERIAL NO.	DOCUMENT NO.	SHEET NO.
SEE TABLE	SD-87655-001	2 OF 3
THIS DRAWING CONTAINS INFORMATION THAT IS PROPRIETARY TO MOLEX INCORPORATED AND SHOULD NOT BE USED WITHOUT WRITTEN PERMISSION		



RECOMMENDED MODULE LAYOUT  
 (PER JEDEC STANDARD MO-206, 184 CKT.)  
 UNLESS OTHERWISE SPECIFIED, GENERAL TOLERANCE FOR MODULE = ±0.13

VOLTAGE KEY AREA OPTIONS



ADD ASSY P/N FOR LF EC NO: S2004-0521 DRAWN:MLONG 2004/09/08 CHKD:ATSEE 2004/09/08 APPR:SKTOH 2004/09/09	QUALITY SYMBOLS ▽=0 ▽=0	GENERAL TOLERANCES (UNLESS SPECIFIED)		DIMENSION STYLE MM ONLY	SCALE NTS	DESIGN UNITS METRIC	THIRD ANGLE PROJECTION	
		4 PLACES ± --- ± ---	3 PLACES ± --- ± ---	DRAWN BY MLONG	DATE 2000/12/21	TITLE SALES DRAWING DDR DIMM, 1.27MM PITCH 184 CKTS, R/A		
		2 PLACES ± 0.25 ± ---	1 PLACE ± --- ± ---	CHECKED BY SQUEK	DATE 2000/12/29	MOLEX INCORPORATED		
		ANGULAR ± 5 °		APPROVED BY SKTOH	DATE 2000/12/29	DOCUMENT NO. SD-87655-001	SHEET NO. 3 OF 3	
DRAFT WHERE APPLICABLE MUST REMAIN WITHIN DIMENSIONS		SEE TABLE		THIS DRAWING CONTAINS INFORMATION THAT IS PROPRIETARY TO MOLEX INCORPORATED AND SHOULD NOT BE USED WITHOUT WRITTEN PERMISSION				