



Chipsmall Limited consists of a professional team with an average of over 10 year of expertise in the distribution of electronic components. Based in Hongkong, we have already established firm and mutual-benefit business relationships with customers from,Europe,America and south Asia,supplying obsolete and hard-to-find components to meet their specific needs.

With the principle of “Quality Parts,Customers Priority,Honest Operation,and Considerate Service”,our business mainly focus on the distribution of electronic components. Line cards we deal with include Microchip,ALPS,ROHM,Xilinx,Pulse,ON,Everlight and Freescale. Main products comprise IC,Modules,Potentiometer,IC Socket,Relay,Connector.Our parts cover such applications as commercial,industrial, and automotives areas.

We are looking forward to setting up business relationship with you and hope to provide you with the best service and solution. Let us make a better world for our industry!



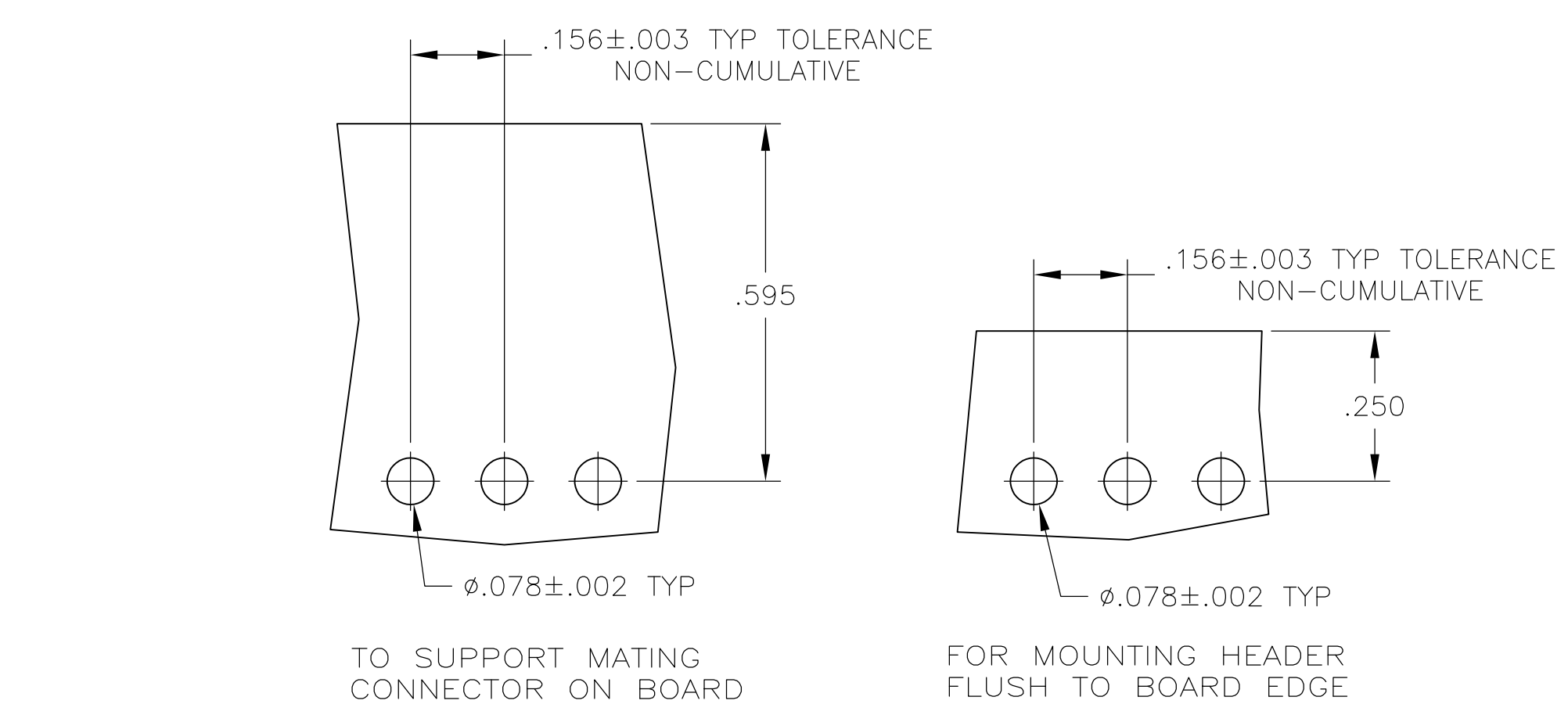
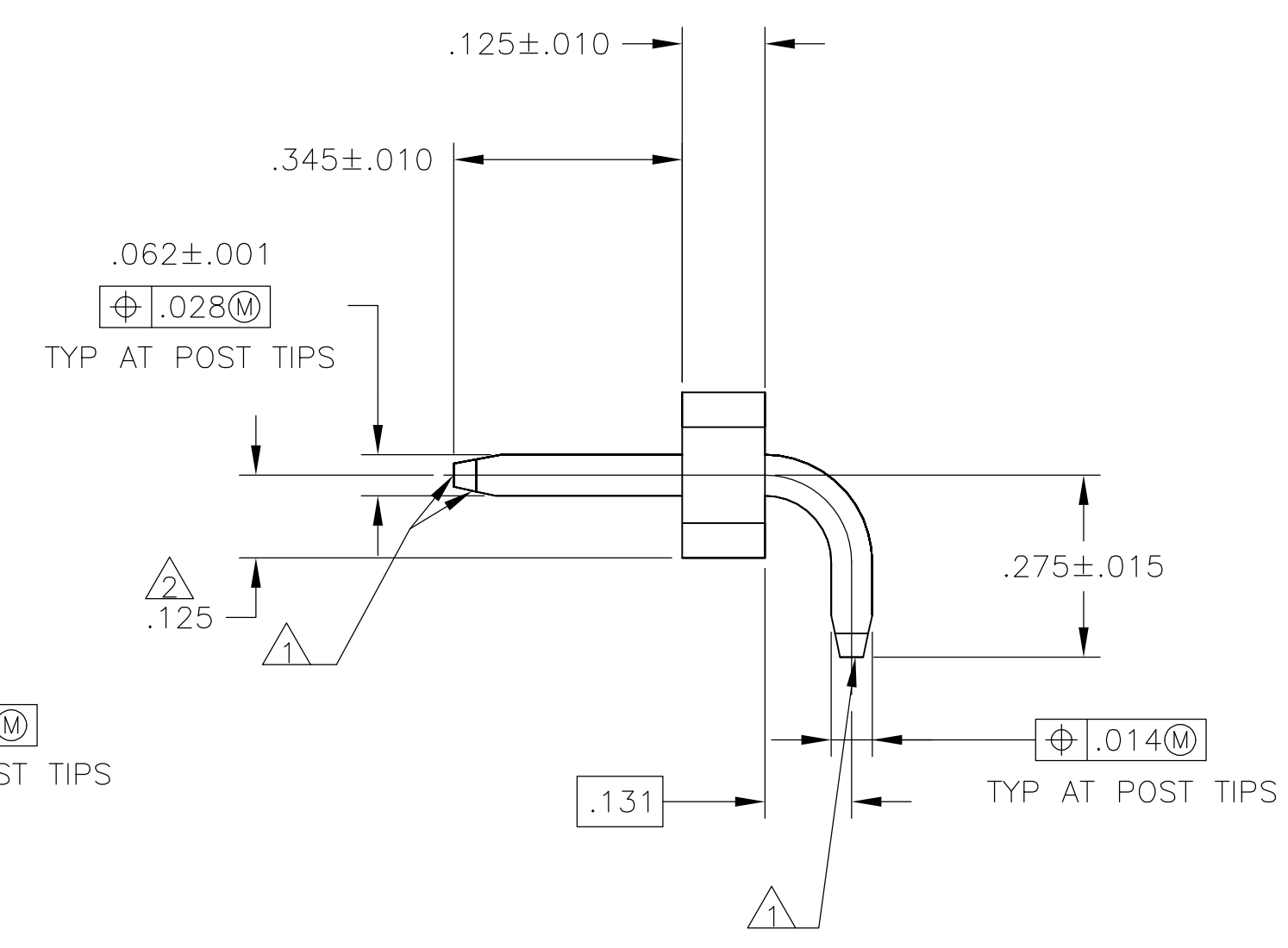
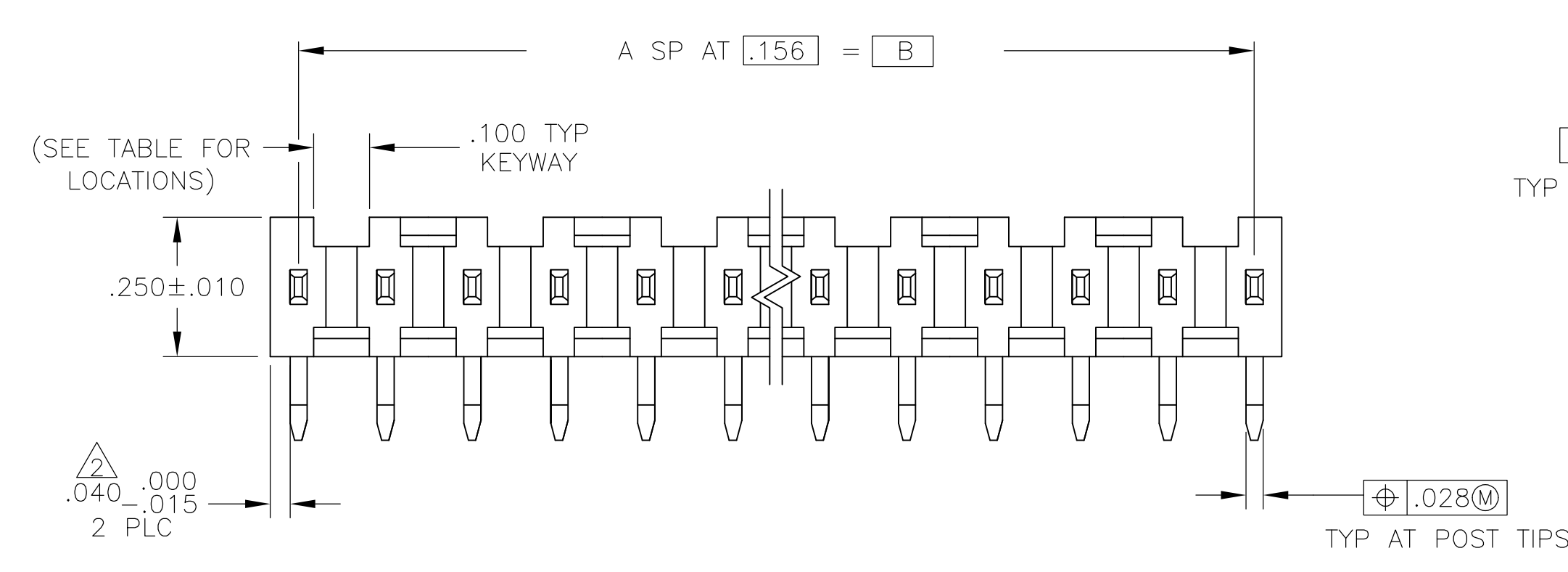
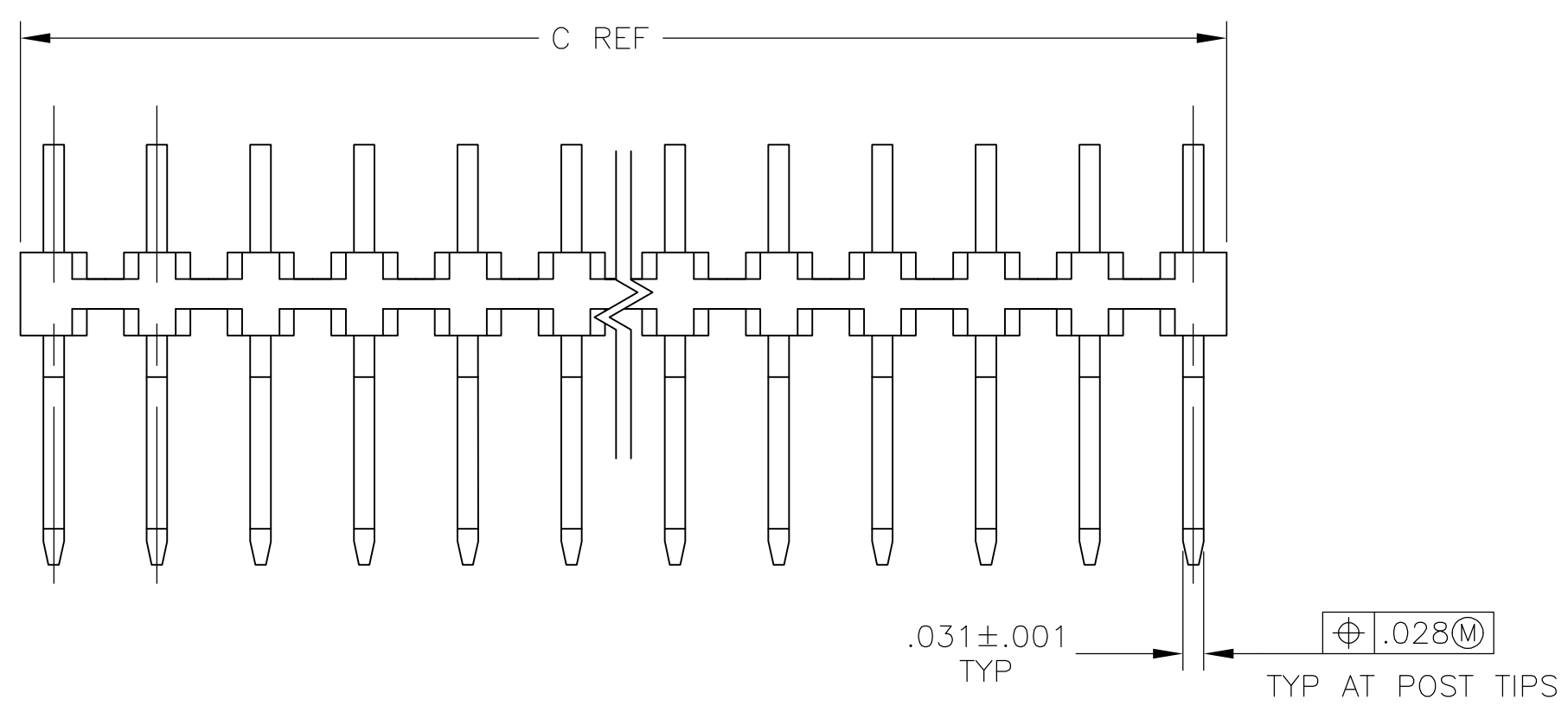
Contact us

Tel: +86-755-8981 8866 Fax: +86-755-8427 6832

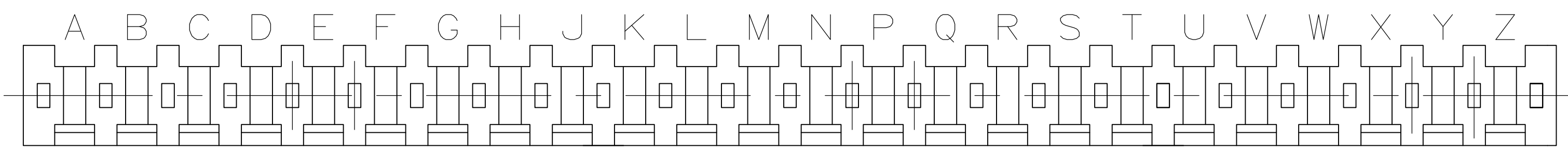
Email & Skype: info@chipsmall.com Web: www.chipsmall.com

Address: A1208, Overseas Decoration Building, #122 Zhenhua RD., Futian, Shenzhen, China





RECOMMENDED BOARD LAYOUTS



KEYWAY LOCATIONS (REF-SEE TABLE)
 (MATING LENGTH OF POST ON NEAR SIDE)
 SCALE 8:1

- ① THE TIPS OF THE POSTS WILL NOT BE PLATED
- ② THE NOTED DIMENSIONS APPLY AT THE INTERSECTION OF THE POST AND THE HOUSING
- ③ .000050-.000150 BRIGHT TIN LEAD.
- ④ .000050-.000150 MATTE TIN.
- ⑤ ROHS /95 /EC/ COMPLIANT
- ⑥ OBSOLETE PARTS: OBSOLETE CIS STREAMLINING PER D.RENAUD/D.SINISI

FINISH	KEYWAY LOCATIONS	NO OF KEYWAY	C	B	A	NO OF POSN	ASSEMBLY PART NUMBER
⑥ OBSOLETE	A,C,E,H,K,M,Q,S,U,W,Y	11	3.855	3.744	24	25	7-87655-5
	A,C,E,G,J,L,N,Q,S,U,W,Y	12	3.699	3.588	23	24	7-87655-4
	A,D,G,K,N,R,U,X	8	3.543	3.432	22	23	7-87655-3
	A,C,E,G,J,L,N,Q,S,U,W	11	3.387	3.276	21	22	7-87655-2
	A,D,G,K,N,R,U	7	3.231	3.120	20	21	7-87655-1
	A,C,E,G,J,L,N,Q,S,U	10	3.075	2.964	19	20	7-87655-0
	B,D,F,J,L,N,Q,S	8	2.919	2.808	18	19	6-87655-9
	A,D,F,J,M,P,S	7	2.763	2.652	17	18	6-87655-8
	A,D,G,K,N,R	6	2.607	2.496	16	17	6-87655-7
	A,C,E,G,J,L,N,Q	8	2.451	2.340	15	16	6-87655-6
	A,D,G,K,N	5	2.295	2.184	14	15	6-87655-5
	A,C,E,G,J,L,N	7	2.139	2.028	13	14	6-87655-4
⑥ OBSOLETE	A,D,J,M	4	1.983	1.872	12	13	6-87655-3
	A,C,E,G,J,L	6	1.827	1.716	11	12	6-87655-2
	A,D,G,K	4	1.671	1.560	10	11	6-87655-1
	A,C,E,G,J	5	1.515	1.404	9	10	6-87655-0
	A,D,G	3	1.359	1.248	8	9	5-87655-9
⑥ OBSOLETE	A,C,E,G	4	1.203	1.092	7	8	5-87655-8
	A,C,E	3	1.047	.936	6	7	5-87655-7
	A,C,E	3	.891	.780	5	6	5-87655-6
	A,D	2	.735	.624	4	5	5-87655-5
	A,C	2	.579	.468	3	4	5-87655-4
⑥ OBSOLETE	A	1	.423	.312	2	3	5-87655-3
	A	1	.267	.156	1	2	5-87655-2
⑥ OBSOLETE	A,C,E,H,K,M,Q,S,U,W,Y	11	3.855	3.744	24	25	2-87655-5
	A,C,E,G,J,L,N,Q,S,U,W,Y	12	3.699	3.588	23	24	2-87655-4
	A,D,G,K,N,R,U,X	8	3.543	3.432	22	23	2-87655-3
	A,C,E,G,J,L,N,Q,S,U,W	11	3.387	3.276	21	22	2-87655-2
	A,D,G,K,N,R,U	7	3.231	3.120	20	21	2-87655-1
	A,C,E,G,J,L,N,Q,S,U	10	3.075	2.964	19	20	2-87655-0
	B,D,F,J,L,N,Q,S	8	2.919	2.808	18	19	1-87655-9
	A,D,F,J,M,P,S	7	2.763	2.652	17	18	1-87655-8
	A,D,G,K,N,R	6	2.607	2.496	16	17	1-87655-7
	A,C,E,G,J,L,N,Q	8	2.451	2.340	15	16	1-87655-6
	A,D,G,K,N	5	2.295	2.184	14	15	1-87655-5
	A,C,E,G,J,L,N	7	2.139	2.028	13	14	1-87655-4
⑥ OBSOLETE	A,D,J,M	4	1.983	1.872	12	13	1-87655-3
	A,C,E,G,J,L	6	1.827	1.716	11	12	1-87655-2
	A,D,G,K	4	1.671	1.560	10	11	1-87655-1
	A,C,E,G,J	5	1.515	1.404	9	10	1-87655-0
	A,D,G	3	1.359	1.248	8	9	87655-9
⑥ OBSOLETE	A,C,E,G	4	1.203	1.092	7	8	87655-8
	A,C,E	3	1.047	.936	6	7	87655-7
	A,C,E	3	.891	.780	5	6	87655-6
	A,D	2	.735	.624	4	5	87655-5
	A,C	2	.579	.468	3	4	87655-4
⑥ OBSOLETE	A	1	.423	.312	2	3	87655-3
	A	1	.267	.156	1	2	87655-2

THIS DRAWING IS A CONTROLLED DOCUMENT. DIMENSIONS: INCHES. TOLERANCES UNLESS OTHERWISE SPECIFIED: 0 PLC ± .0005, 1 PLC ± .0005, 2 PLC ± .0005, 3 PLC ± .0005, 4 PLC ± .0005. MATERIAL: HOUSING - FLAME RETARDANT THERMOPLASTIC, COLOR - BLACK, POSTS - BRASS. FINISH: SEE TABLE. WEIGHT: -. SIZE: A1. CAGE CODE: 00779. DRAWING NO: 87655. RESTRICTED TO: CUSTOMER DRAWING. SCALE: 4:1. SHEET: 1 OF 1. REV: M3.