



Chipsmall Limited consists of a professional team with an average of over 10 year of expertise in the distribution of electronic components. Based in Hongkong, we have already established firm and mutual-benefit business relationships with customers from,Europe,America and south Asia,supplying obsolete and hard-to-find components to meet their specific needs.

With the principle of “Quality Parts,Customers Priority,Honest Operation,and Considerate Service”,our business mainly focus on the distribution of electronic components. Line cards we deal with include Microchip,ALPS,ROHM,Xilinx,Pulse,ON,Everlight and Freescale. Main products comprise IC,Modules,Potentiometer,IC Socket,Relay,Connector.Our parts cover such applications as commercial,industrial, and automotives areas.

We are looking forward to setting up business relationship with you and hope to provide you with the best service and solution. Let us make a better world for our industry!



Contact us

Tel: +86-755-8981 8866 Fax: +86-755-8427 6832

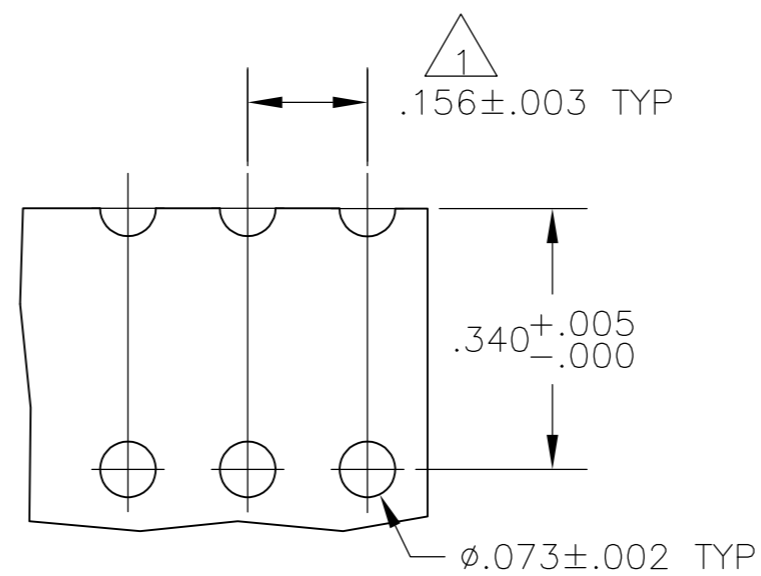
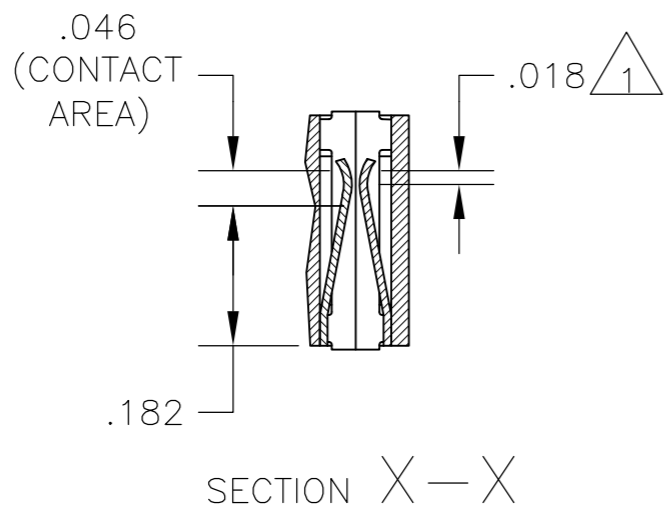
Email & Skype: info@chipsmall.com Web: www.chipsmall.com

Address: A1208, Overseas Decoration Building, #122 Zhenhua RD., Futian, Shenzhen, China

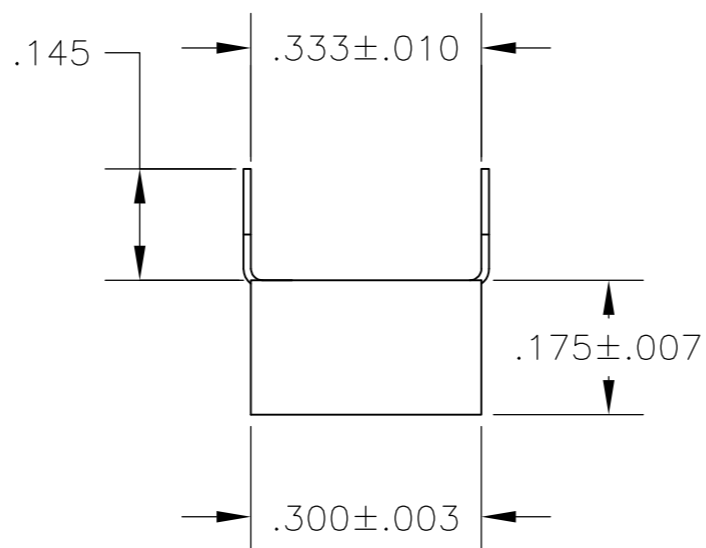
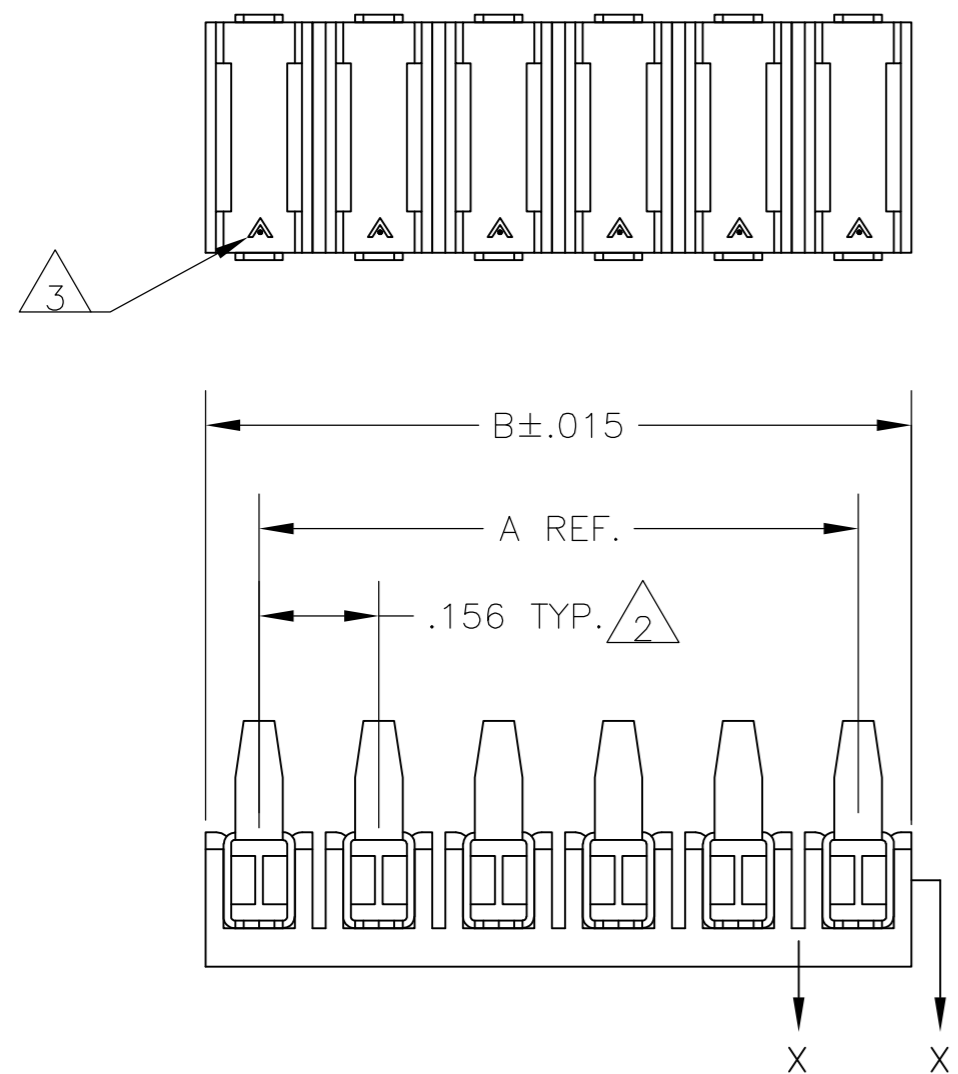


THIS DRAWING IS UNPUBLISHED. RELEASED FOR PUBLICATION
 © COPYRIGHT BY TYCO ELECTRONICS CORPORATION. ALL RIGHTS RESERVED.

LOC		DIST		REVISIONS			
P	LTR	DESCRIPTION		DATE	DWN	APVD	
	K1	REVISED ECO-09-024927		06NOV09	KK	AEG	



- 1 POINT OF MEASUREMENT FOR PLATING THICKNESS (INSIDE OF BEAMS).
- 2 TOLERANCE NON-CUMULATIVE.
- 3 THE MATING END OF THE CONTACT IS IDENTIFIED BY THE LETTER "A" STAMPED ON THE RECEPTACLE BOX.
- 4 OBSOLETE PARTS: OBSOLETE CIS STREAMLINING PER D.RENAUD/D.SINISI



	B	A	NO OF POSN	ASSEMBLY PART NUMBER
4 OBSOLETE	3.120	2.964	20	-2-87988-0
	2.964	2.808	19	1-87988-9
4 OBSOLETE	2.808	2.652	18	-1-87988-8
	2.652	2.496	17	1-87988-7
OBSOLETE 4	2.496	2.340	16	-1-87988-6
	2.340	2.184	15	-1-87988-5
	2.184	2.028	14	-1-87988-4
	2.028	1.872	13	-1-87988-3
	1.872	1.716	12	-1-87988-2
	1.716	1.560	11	-1-87988-1
OBSOLETE 4	1.560	1.404	10	1-87988-0
	1.404	1.248	9	-87988-9
	1.248	1.092	8	-87988-8
	1.092	.936	7	87988-7
	.936	.780	6	87988-6
	.780	.624	5	87988-5
	.624	.468	4	87988-4
	.468	.312	3	87988-3
4 OBSOLETE	.312	.156	2	-87988-2

THIS DRAWING IS A CONTROLLED DOCUMENT.		DWN L A MAYER 17MAR86	Tyco Electronics Corporation Harrisburg, Pa 17105-3608	
DIMENSIONS: INCHES		CHK P deJONG 17MAR86	NAME	
TOLERANCES UNLESS OTHERWISE SPECIFIED:		APVD P deJONG 17MAR86	ASSY, MOD I, BOARD MOUNT RECP, .156 CL, STD PRESSURE, TYPE C, FOR ROUND HOLE MOUNTING	
0 PLC ± - 1 PLC ± - 2 PLC ± - 3 PLC ± .005 4 PLC ± - ANGLES ± -		PRODUCT SPEC 108-25,016	SIZE A2	RESTRICTED TO
MATERIAL RHODASTINERFAMETIC. COLOR-BLACK CONTACTS- PHOS BRONZE		APPLICATION SPEC 108-25,016	CAGE CODE 00779	DRAWING NO C=87988
FINISH .000030 GOLD TO CONTACT AREA, GOLD FLASH ON THE REMAINDER, ALL OVER .000050 NICKEL		WEIGHT -	SCALE 4:1	SHEET 1 OF 1 REV K1
		CUSTOMER DRAWING		