



Chipsmall Limited consists of a professional team with an average of over 10 year of expertise in the distribution of electronic components. Based in Hongkong, we have already established firm and mutual-benefit business relationships with customers from,Europe,America and south Asia,supplying obsolete and hard-to-find components to meet their specific needs.

With the principle of “Quality Parts,Customers Priority,Honest Operation,and Considerate Service”,our business mainly focus on the distribution of electronic components. Line cards we deal with include Microchip,ALPS,ROHM,Xilinx,Pulse,ON,Everlight and Freescale. Main products comprise IC,Modules,Potentiometer,IC Socket,Relay,Connector.Our parts cover such applications as commercial,industrial, and automotives areas.

We are looking forward to setting up business relationship with you and hope to provide you with the best service and solution. Let us make a better world for our industry!



Contact us

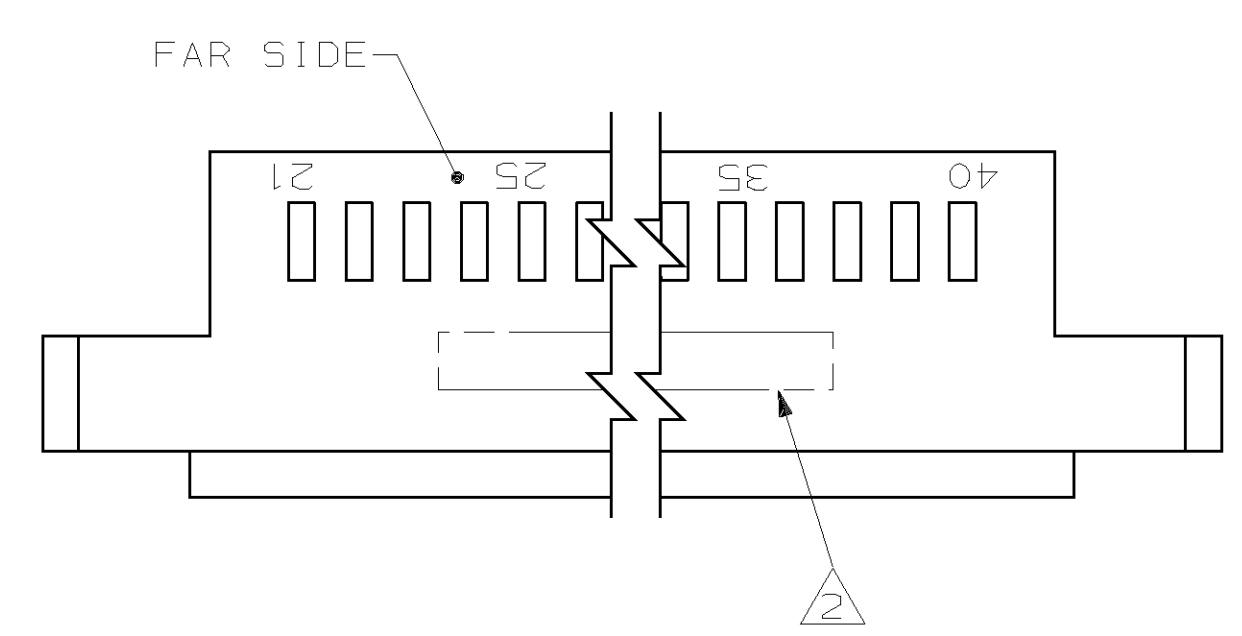
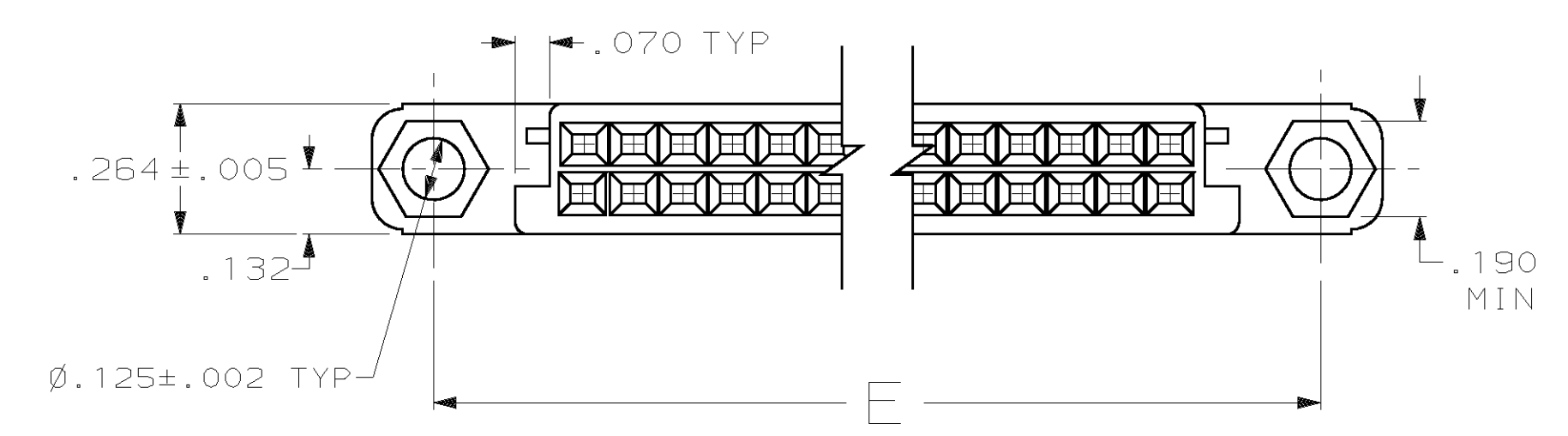
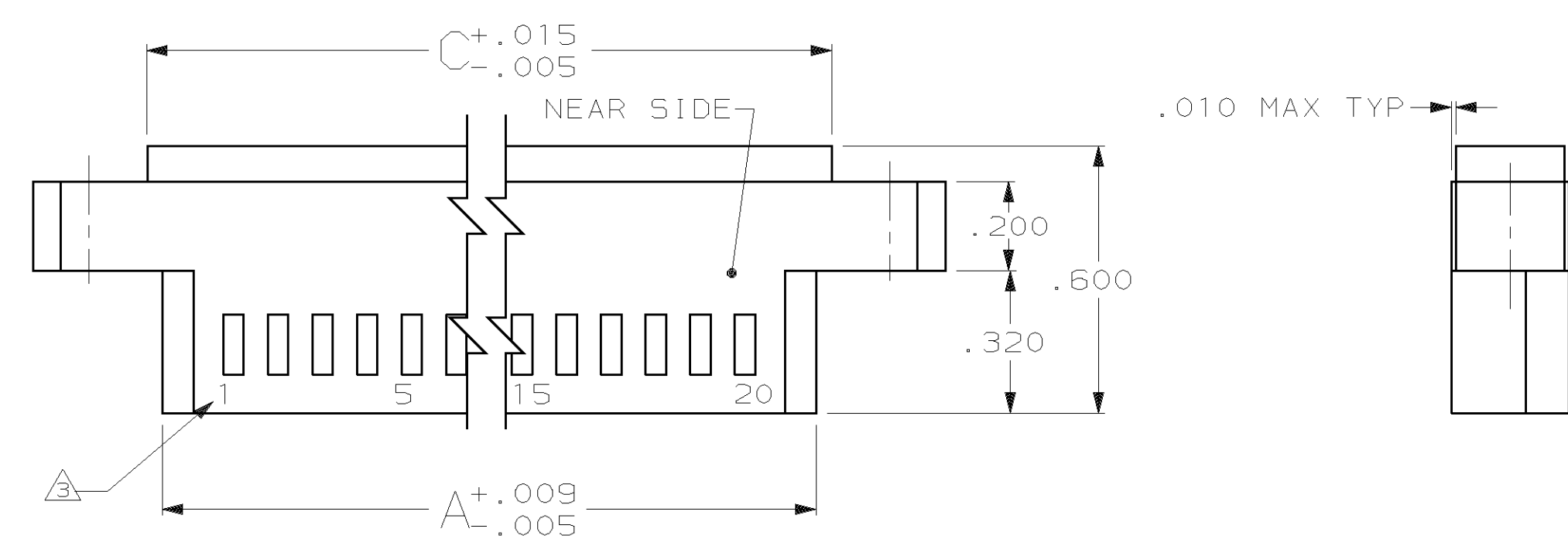
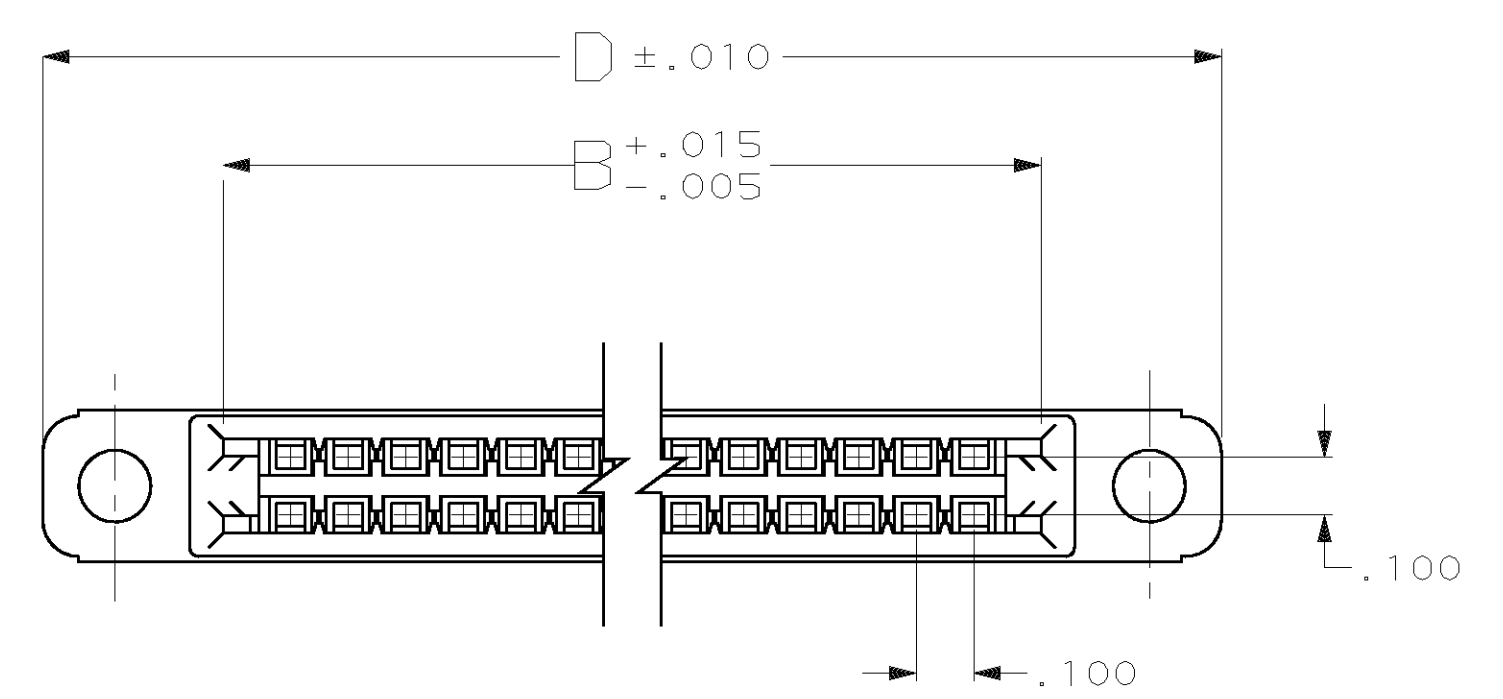
Tel: +86-755-8981 8866 Fax: +86-755-8427 6832

Email & Skype: info@chipsmall.com Web: www.chipsmall.com

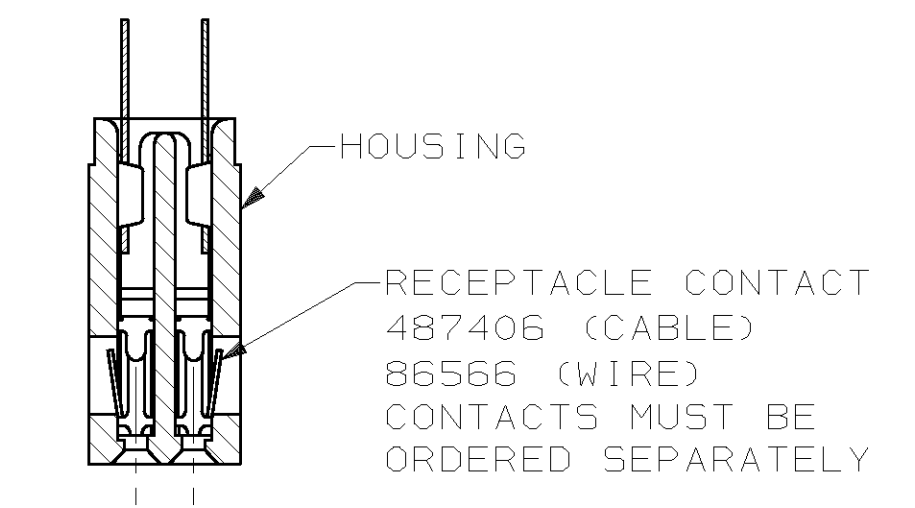
Address: A1208, Overseas Decoration Building, #122 Zhenhua RD., Futian, Shenzhen, China



LOC		DIST		P		F		ZONE		LTR		REVISIONS			
GP	00											DESCRIPTION	DATE	APPD	
												L	REVISED PER EC 0513-0390-04	11NOV04	JG



- ① HOUSING WILL ACCOMMODATE FLEXIBLE FLAT CABLE .050 OR .062 WIDE CONDUCTORS ON .100 CENTERS AND/OR 22-24 AWG WIRE WITH INSULATION RANGE .040 TO .056 DIA
- ② AMP PART NO. & DATE CODE INK STAMPED, WHITE, IN AREA AS SHOWN.
- ③ CAVITY INDENT. INK STAMPED, WHITE, BOTH SIDES (SEE TABLE)
- ④ OBSOLETE PART NO.



CRIMPED CONTACTS INSERTED FOR REFERENCE ONLY

④ 1-88013-9	1, 5, 10, 15, 20, 25, 30, 35, 40, 44	45, 50, 55, 60, 65, 70, 75, 80, 85, 88	4.910	5.160	4.650	4.534	4.580	88	④ 2-88013-0
④ 88013-3	20, 15, 10, 5, 1	40, 35, 30, 25, 21	2.510	2.760	2.250	2.134	2.180	40	88013-1
④ 88013-2	1, 5, 10, 15, 20	21, 25, 30, 35, 40	2.510	2.760	2.250	2.134	2.180	40	88013-1
INK STAMPED PART NO.	NEAR SIDE		E	D	C	B	A	NO OF POSN	AS MOLDED PART NO.
	CAVITY POSN NO. STAMPED								
PART NO									

DO NOT SCALE PRINT. UNLESS SPECIFIED DIMENSIONS IN INCHES TOLERANCES ON : 2 PLC DEC ± - 3 PLC DEC ± .005 ANGLES ± -	DR 8-15-90 H MÜLLER CHK 3-3-89 D.L. RÖCKER APPD 3-3-89 G. MILLER APPD 3-3-89 W. PARKER	AMP AMP INCORPORATED Harrisburg, Pa. 17105		
MATERIAL NYLON FLAME RETARDANT COLOR: BLACK	PRODUCT SPEC -	NAME HOUSING, RCPT, DBL ROW W/MTG EARS, .100¢, FFC		
FINISH -	APPLICATION SPEC -	SIZE D	FSCM NO 00779	DRAWING NO 88013
WEIGHT -		SCALE 3:1	SHEET 1 OF 1	