



Chipsmall Limited consists of a professional team with an average of over 10 year of expertise in the distribution of electronic components. Based in Hongkong, we have already established firm and mutual-benefit business relationships with customers from,Europe,America and south Asia,supplying obsolete and hard-to-find components to meet their specific needs.

With the principle of “Quality Parts,Customers Priority,Honest Operation,and Considerate Service”,our business mainly focus on the distribution of electronic components. Line cards we deal with include Microchip,ALPS,ROHM,Xilinx,Pulse,ON,Everlight and Freescale. Main products comprise IC,Modules,Potentiometer,IC Socket,Relay,Connector.Our parts cover such applications as commercial,industrial, and automotives areas.

We are looking forward to setting up business relationship with you and hope to provide you with the best service and solution. Let us make a better world for our industry!



Contact us

Tel: +86-755-8981 8866 Fax: +86-755-8427 6832

Email & Skype: info@chipsmall.com Web: www.chipsmall.com

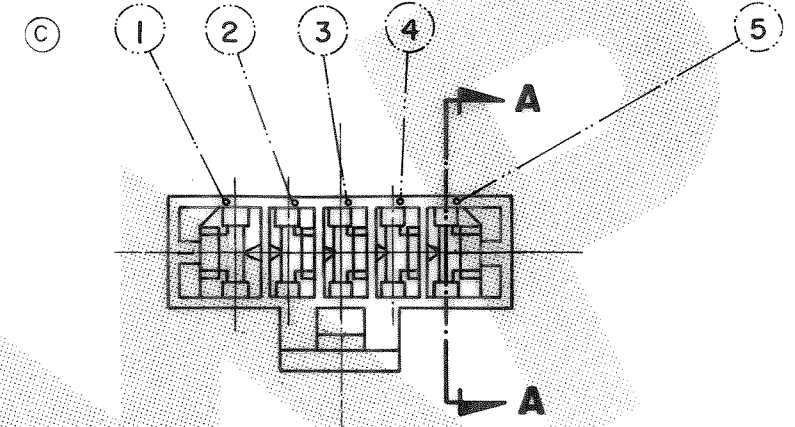
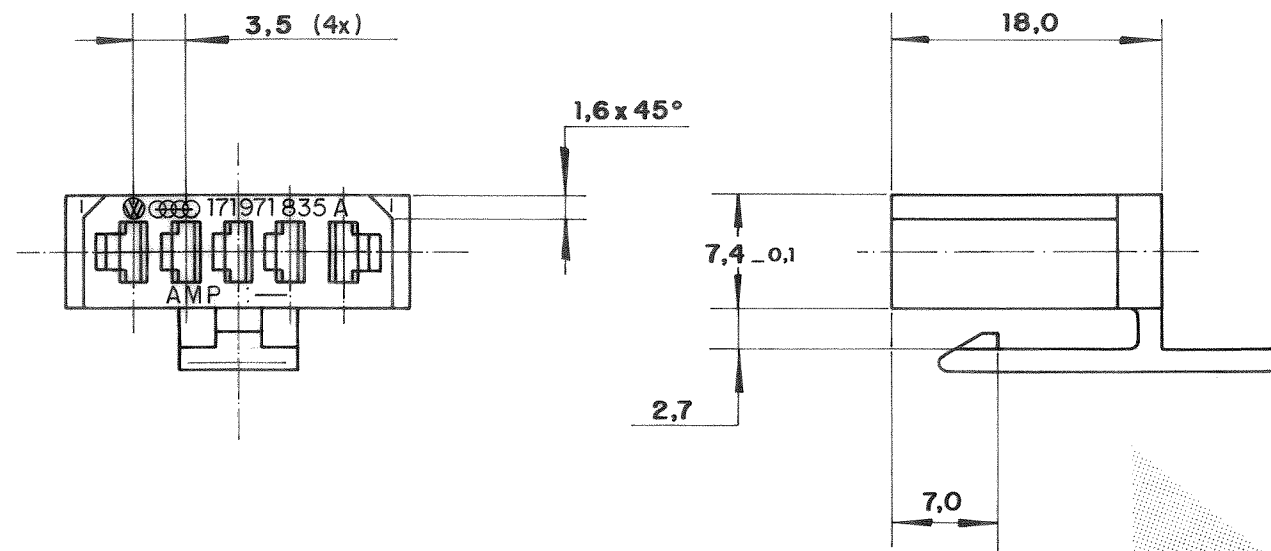
Address: A1208, Overseas Decoration Building, #122 Zhenhua RD., Futian, Shenzhen, China



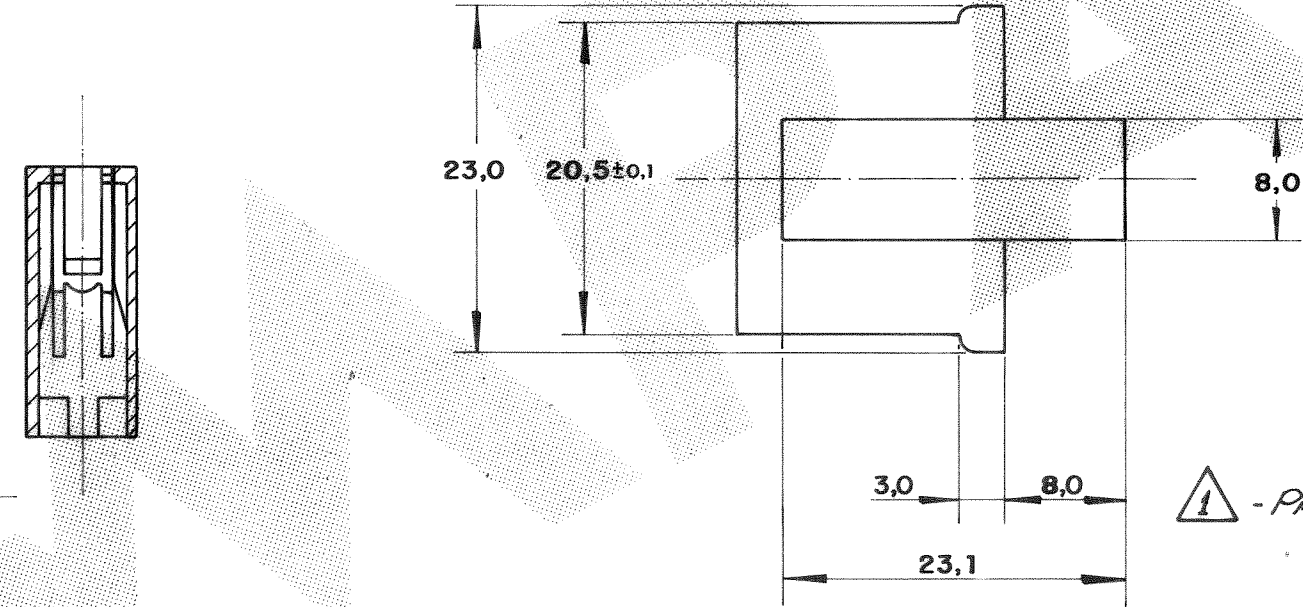
C 880 192

DO NOT SCALE
DIMENSIONS IN

METRIC



Seção A-A



⚠ - PRODUCT WITHOUT VW TRADEMARK (JUST FOR PN-880192-2)

171 971 835 A	NATURAL	NYLON 6-6	880 192 - 1
VW PART NUMBER	FINISH	MATERIAL	PART NUMBER
CUSTOMER DWG for REFERENCE ONLY		THIS DRAWING IS UNPUBLISHED RELEASED FOR PUBLICATION	
		© COPYRIGHT 1983 BY AMP DO BRASIL LTDA S.P. ALL INTERNATIONAL RIGHTS RESERVED AMP PRODUCTS MAY BE COVERED BY U.S. AND FOREIGN PATENTS AND/OR PATENTS PENDING.	
		TOLERANCES UNLESS OTHERWISE STATED	INS. DIA. RANGE
		DEC. ± 0,5	WIRE RANGE
		ANGLES ± 1°	SCALE
		DR. <i>[Signature]</i> JAN, 20/83	AMP AMP do BRASIL LTDA. São Paulo, Brasil
		CHK. <i>[Signature]</i> JAN, 21/83	
D	REVISADO By ECR05.009783 H.C. W.L.S. 24/06/05	DESCRIPTION	
C	REVISADO ECN-3400 Briz JRH 01-10-92	5 WAY .110 FAST-IN-ON REC. HSG.	
B	REVISADO L.C. 28-12-87	DWG NO	
A	ERA P82-29192 G.M. T.V 20.1.83	A3 C 880 192	
ISS	REVISION RECORD DR CHK DATE APP.	SHEET 1 OF 1	