



Chipsmall Limited consists of a professional team with an average of over 10 year of expertise in the distribution of electronic components. Based in Hongkong, we have already established firm and mutual-benefit business relationships with customers from,Europe,America and south Asia,supplying obsolete and hard-to-find components to meet their specific needs.

With the principle of “Quality Parts,Customers Priority,Honest Operation,and Considerate Service”,our business mainly focus on the distribution of electronic components. Line cards we deal with include Microchip,ALPS,ROHM,Xilinx,Pulse,ON,Everlight and Freescale. Main products comprise IC,Modules,Potentiometer,IC Socket,Relay,Connector.Our parts cover such applications as commercial,industrial, and automotives areas.

We are looking forward to setting up business relationship with you and hope to provide you with the best service and solution. Let us make a better world for our industry!



Contact us

Tel: +86-755-8981 8866 Fax: +86-755-8427 6832

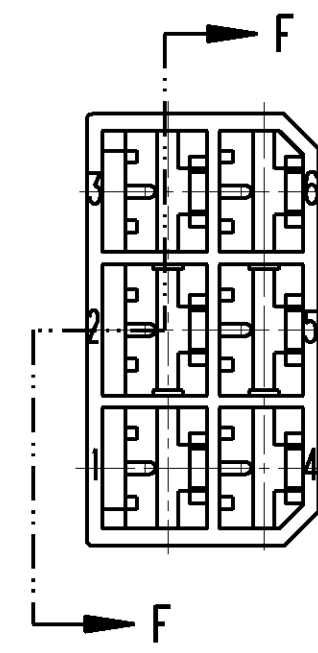
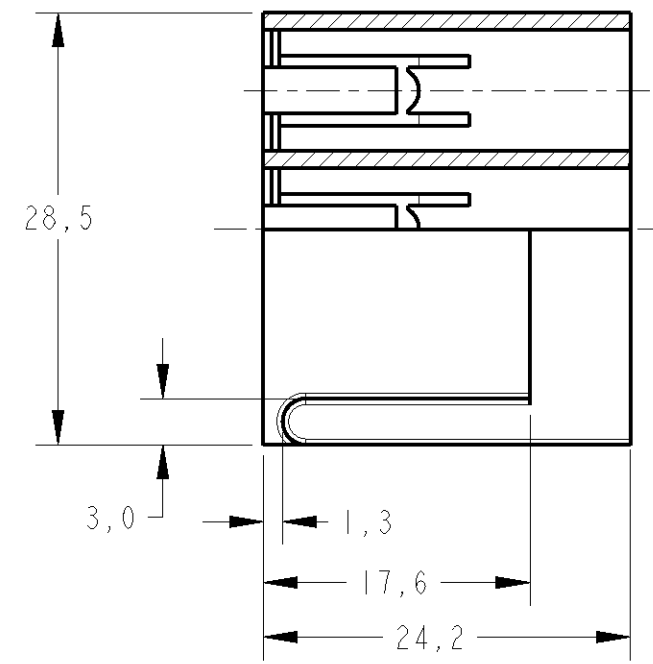
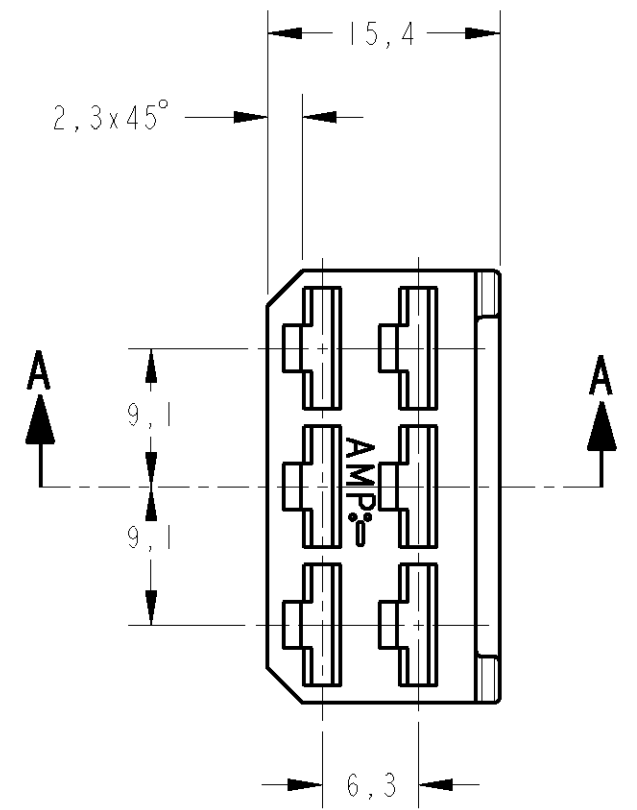
Email & Skype: info@chipsmall.com Web: www.chipsmall.com

Address: A1208, Overseas Decoration Building, #122 Zhenhua RD., Futian, Shenzhen, China



THIS DRAWING IS UNPUBLISHED. RELEASED FOR PUBLICATION 20
 © COPYRIGHT 20 BY - ALL RIGHTS RESERVED.

LOC	DIST	REVISIONS			
P	LTR	DESCRIPTION	DATE	DWN	APVD
AP	-	F3	REVISED PER ECO-11-005139	19MAR11	RK HMR

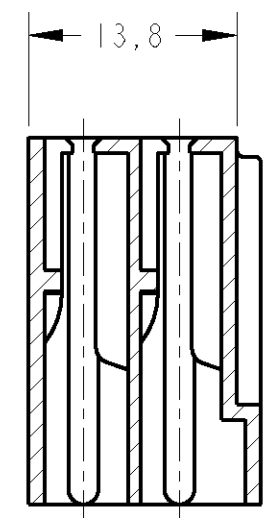


CORTE SECTION F-F

1-INTERCAMIÁVEL COM PN. 280314 1-INTERCHANGEABLE WITH PN. 280314.

2 -MATÉRIA PRIMA CONFORME ESPECIFICAÇÃO IEC 60335-1, GWT 750°C, SEM CHAMA. RAW MATERIAL ACC. TO SPEC. IEC 60335-1, GWT 750°C, WITHOUT FLAME.

3 OBSOLETE PARTS: OBSOLETE CIS STREAMLINING PER D.RENAUD/D.SINISI



CORTE SECTION A-A

3	OBSOLETE	FINISH	MATERIAL	PART NUMBER
		CINZA / GRAY	PA 6.6	880297-3
	PRETO / BLACK	PA 6.6	880297-2	
	NATURAL	2 PA 6.6 V-0	2-880297-0	
	NATURAL	PA 6.6	880297-1	

DIMS: mm		TOLERANCES UNLESS OTHERWISE SPECIFIED:		DWN M.R.BRIZ 01APR2004				NAME 6 WAY .250 FAST-IN-ON REC. HSG.	
		0 PLC ±- 1 PLC ±0,3 2 PLC ±- 3 PLC ±- 4 PLC ±- ANGLES ±°		CHK P.L.FARIA 01APR2004					
MATERIAL SEE TABLE		FINISH SEE TABLE		APVD I.W.PRADO 01APR2004		DRAWING NO C-880297		RESTRICTED TO -	
CUSTOMER DRAWING				WEIGHT -		SCALE 2:1		SHEET OF REV F3	