



Chipsmall Limited consists of a professional team with an average of over 10 year of expertise in the distribution of electronic components. Based in Hongkong, we have already established firm and mutual-benefit business relationships with customers from,Europe,America and south Asia,supplying obsolete and hard-to-find components to meet their specific needs.

With the principle of “Quality Parts,Customers Priority,Honest Operation,and Considerate Service”,our business mainly focus on the distribution of electronic components. Line cards we deal with include Microchip,ALPS,ROHM,Xilinx,Pulse,ON,Everlight and Freescale. Main products comprise IC,Modules,Potentiometer,IC Socket,Relay,Connector.Our parts cover such applications as commercial,industrial, and automotives areas.

We are looking forward to setting up business relationship with you and hope to provide you with the best service and solution. Let us make a better world for our industry!



## Contact us

Tel: +86-755-8981 8866 Fax: +86-755-8427 6832

Email & Skype: info@chipsmall.com Web: www.chipsmall.com

Address: A1208, Overseas Decoration Building, #122 Zhenhua RD., Futian, Shenzhen, China

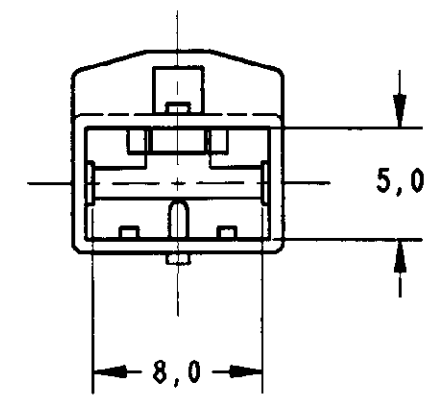
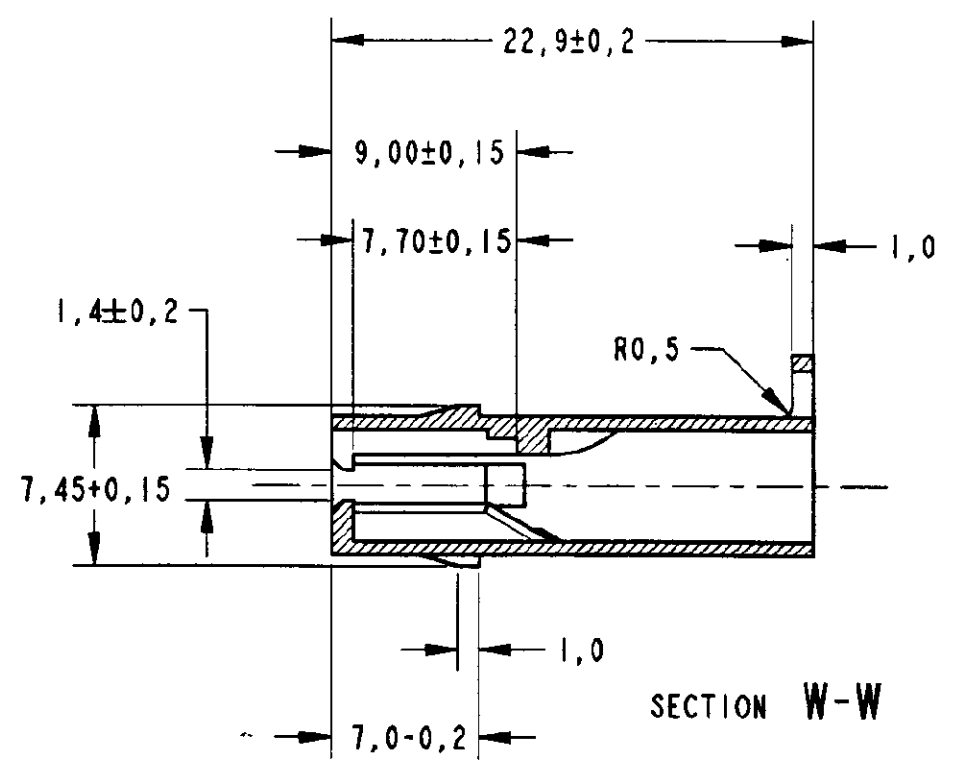
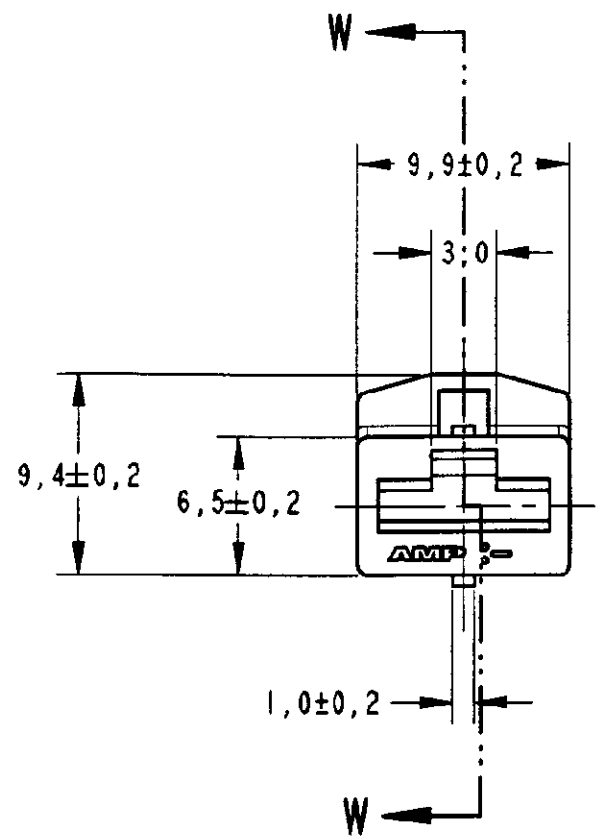


THIS DRAWING IS UNPUBLISHED. RELEASED FOR PUBLICATION  
 © COPYRIGHT 19 BY AMP INCORPORATED. ALL RIGHTS RESERVED.

LOC	DIST	REVISIONS					
		F	LTR	DESCRIPTION	DATE	DWN	APVD
AP	-						
		B		REDRAWN WO CHANGE EC407/99	07JAN00	NCL	PLE
		B1		REVISED PER ECO-10-000445	09JAN10	KK	AEG

**CAD**  
DO NOT REVISE EXCEPT BY CAD

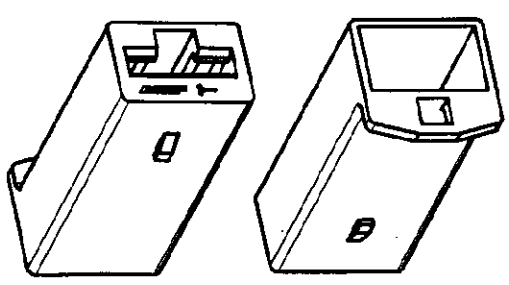
**GRAVAÇÃO MARKING**  
 LOGOTIPO AMP  
 AMP LOGO  
 CÓDIGO PAÍS PRODUTOR  
 MANUFACTURER COUNTRY CODE  
 NÚMERO CAVIDADE  
 CAVITY NUMBER



1 - INTERCAMBIÁVEL COM PN 180905  
 - INTERCHANGEABLE WITH PN 180905  
 2 OBSOLETE PARTS: OBSOLETE CIS STREAMLINING PER D.RENAUD/D.SINISI

2 OBSOLETE  
 2 OBSOLETE

RAW MAT'L NO	FINISH	MATERIAL	PART NUMBER
---	LARANJA/ORANGE		-9
---	VIOLETA/VIOLET		-8
---	CINZA/GRAY		-7
---	MARROM/BROWN		-6
2 OBSOLETE	PRETO/BLACK		-5
---	AMARELO/YELLOW		-4
---	AZUL/BLUE		-3
2 OBSOLETE	VERDE/GREEN		-2
---	VERMELHO/RED		-1
---	NATURAL	P.A 6.6	880305 -0



PERSPECTIVE VIEW  
SCALE 2:1

THIS DRAWING IS A CONTROLLED DOCUMENT FOR AMP INCORPORATED. IT IS SUBJECT TO CHANGE AND THE CONTROLLING ENGINEERING ORGANIZATION SHOULD BE CONTACTED FOR THE LATEST REVISION.		DWN N.C. LAPRESA 09DEC99	AMP do Brasil LTDA. Sao Paulo, Brasil	
DIMENSIONS: mm	TOLERANCES UNLESS OTHERWISE SPECIFIED: 0 PLC ± 1 PLC ±0,5 2 PLC ± 3 PLC ± 4 PLC ± ANGLES ±1°	APVD P.L. FARIA F. ALEXANDRONI	NAME HOUSING, SINGLE CIRCUIT .250S. RCPT.	
MATERIAL SEE TABLE	FINISH SEE TABLE	WEIGHT -	SIZE A3	CAGE CODE 00779
CUSTOMER DRAWING		DRAWING NO C-880305	RESTRICTED TO -	
SCALE 4:1		SHEET OF		REV B1

ORIGINAL  
JUANDO  
EM  
REF