



Chipsmall Limited consists of a professional team with an average of over 10 year of expertise in the distribution of electronic components. Based in Hongkong, we have already established firm and mutual-benefit business relationships with customers from,Europe,America and south Asia,supplying obsolete and hard-to-find components to meet their specific needs.

With the principle of “Quality Parts,Customers Priority,Honest Operation,and Considerate Service”,our business mainly focus on the distribution of electronic components. Line cards we deal with include Microchip,ALPS,ROHM,Xilinx,Pulse,ON,Everlight and Freescale. Main products comprise IC,Modules,Potentiometer,IC Socket,Relay,Connector.Our parts cover such applications as commercial,industrial, and automotives areas.

We are looking forward to setting up business relationship with you and hope to provide you with the best service and solution. Let us make a better world for our industry!



Contact us

Tel: +86-755-8981 8866 Fax: +86-755-8427 6832

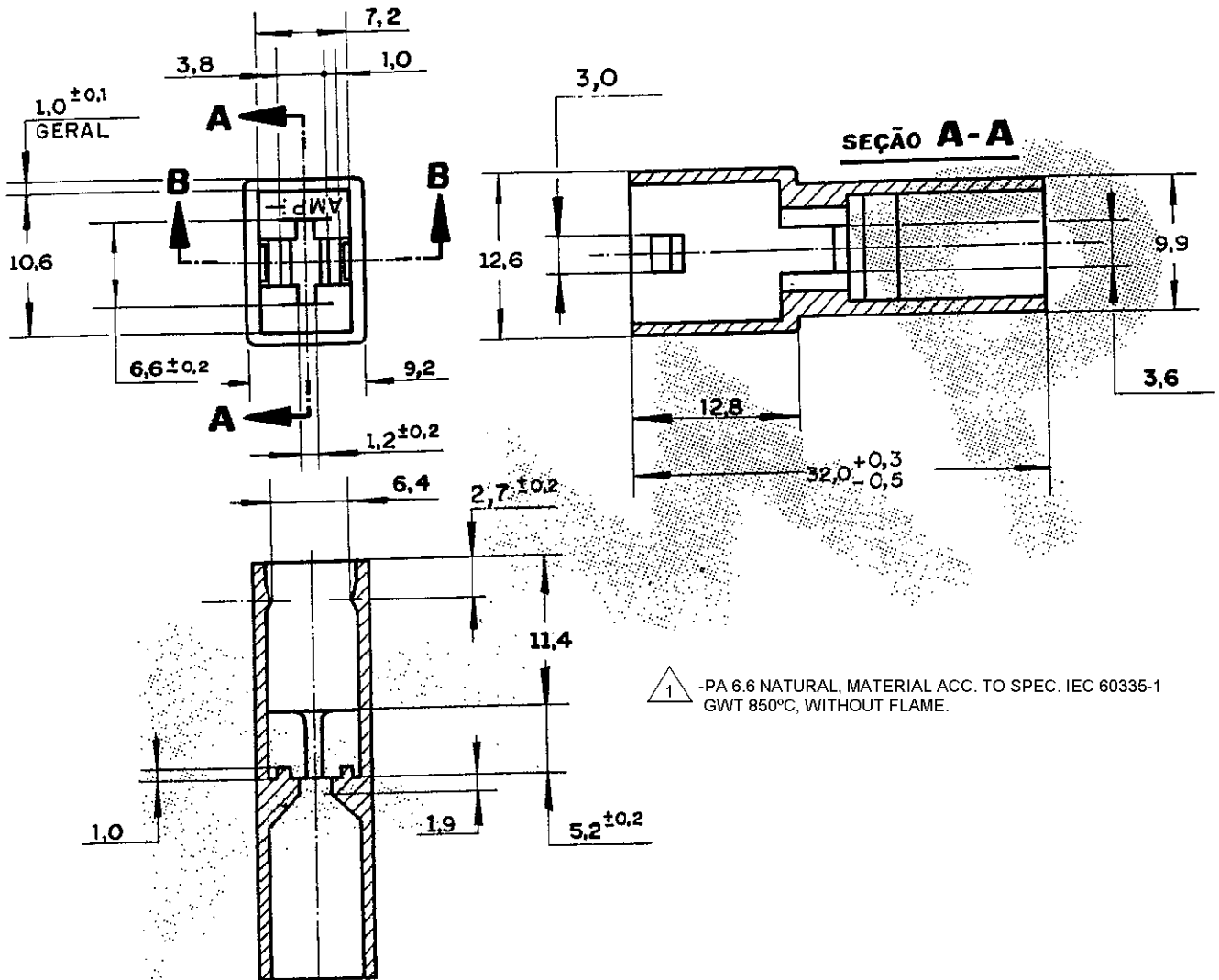
Email & Skype: info@chipsmall.com Web: www.chipsmall.com

Address: A1208, Overseas Decoration Building, #122 Zhenhua RD., Futian, Shenzhen, China



DO NOT SCALE
DIMENSIONS IN MM.

METRIC



△ -PA 6.6 NATURAL, MATERIAL ACC. TO SPEC. IEC 60335-1
GWT 850°C, WITHOUT FLAME.

SEÇÃO B-B

NATURAL	△ NYLON 6.6 V-0	1-	-4
PRETO	NYLON 6.6 V-0	1-	-3
NATURAL	NYLON 6.6 V-0	1-	-2
VERMELHO	NYLON 6.6		-5
PRETO	NYLON 6.6		-2
NATURAL	NYLON 6.6	880309 - 1	

OTHER TREATMENT

FINISH

MATERIAL

PART NUMBER

CUSTOMER DWG
for REFERENCE ONLY

THIS DRAWING IS UNPUBLISHED RELEASED FOR PUBLICATION
© COPYRIGHT 1983 BY AMP DO BRASIL LTDA S.P. ALL INTERNATIONAL RIGHTS RESERVED. AMP PRODUCTS MAY BE COVERED BY U.S. AND FOREIGN PATENTS AND/OR PATENTS PENDING.

TOLERANCES UNLESS OTHERWISE STATED
DEC. ±0.3
ANGLES ±1°

INS. DIA. RANGE WIRE RANGE SCALE

AMP AMP do BRASIL LTDA.
São Paulo, Brasil

DESCRIPTION
1WAY .250 S. FASTIN - ON TAB. HSG.

M REV. ECO-12-013680 HC WLS 27JUL12

DR. *[Signature]*
CHK. *[Signature]* 05/30/83
DE. *[Signature]*

DWG NO. **A4 C 880 309** SHEET 1 of 1

ISS REVISION RECORD DR CHK DATE

APR *[Signature]* SET 30 83