



Chipsmall Limited consists of a professional team with an average of over 10 year of expertise in the distribution of electronic components. Based in Hongkong, we have already established firm and mutual-benefit business relationships with customers from,Europe,America and south Asia,supplying obsolete and hard-to-find components to meet their specific needs.

With the principle of “Quality Parts,Customers Priority,Honest Operation,and Considerate Service”,our business mainly focus on the distribution of electronic components. Line cards we deal with include Microchip,ALPS,ROHM,Xilinx,Pulse,ON,Everlight and Freescale. Main products comprise IC,Modules,Potentiometer,IC Socket,Relay,Connector.Our parts cover such applications as commercial,industrial, and automotives areas.

We are looking forward to setting up business relationship with you and hope to provide you with the best service and solution. Let us make a better world for our industry!



Contact us

Tel: +86-755-8981 8866 Fax: +86-755-8427 6832

Email & Skype: info@chipsmall.com Web: www.chipsmall.com

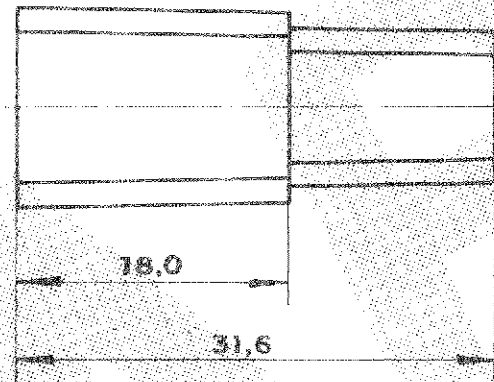
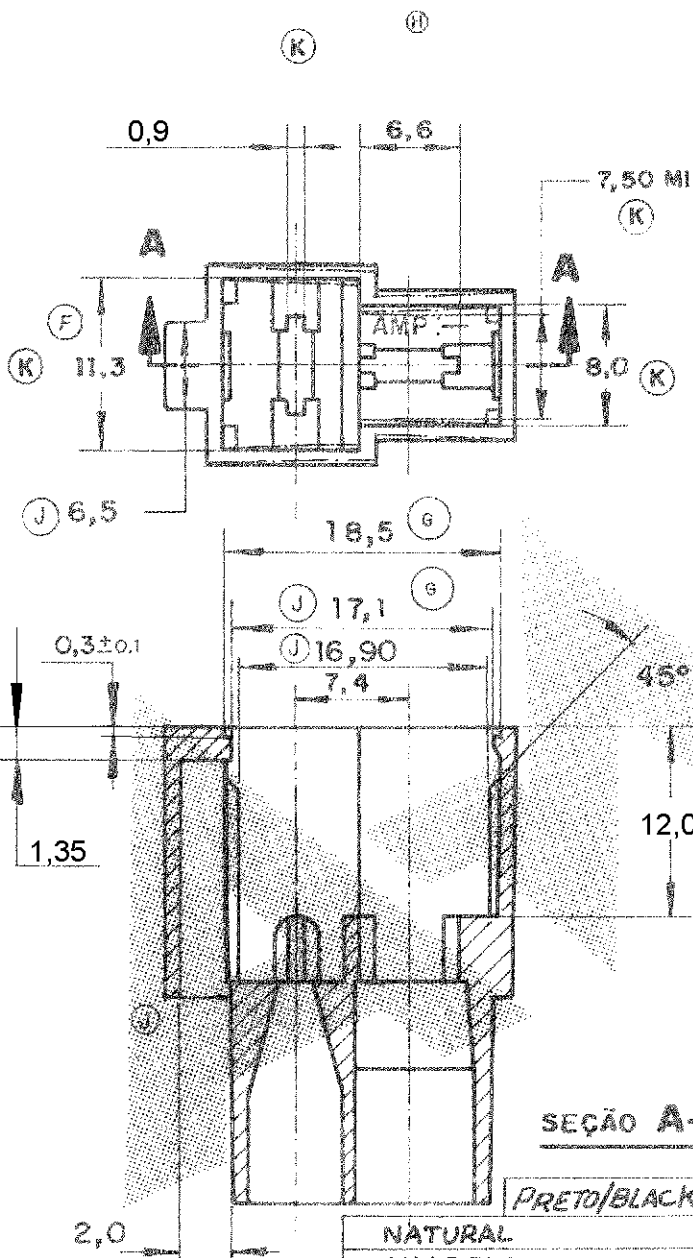
Address: A1208, Overseas Decoration Building, #122 Zhenhua RD., Futian, Shenzhen, China



DO NOT SCALE
DIMENSIONS IN MM.

METRIC

3rd ANGLE PROJECTION



- (K) 1 - PAREDES NÃO ESPECIFICADAS 1,0
UNSPECIFIED WALL THK 1,0
- 2 - PA 6.6 NATURAL, MATERIAL ACC. TO SPEC.
IEC 60335-1, GWT 750°C, WITHOUT FLAME.
- 3 ESTABILIZADO AO CALOR
HEAT STABILIZED
- 4 OBSOLETE PARTS: OBSOLETE CIS
STREAMLINING PER D.RENAUD/D.SINISI

SEÇÃO A-A

PRETO/BLACK	PA 6.6 3		- 9
NATURAL	NYLON 6.6 VO 2		- 8
AMARELO		4	- 7
VERMELHO		4	- 6
PRETO	NYLON 6,6	4	- 5
AMARELO TINGIDO			- 4
VERMELHO TINGIDO			- 3
PRETO TINGIDO	FEITO DO-1		- 2
NATURAL	NYLON 6,6		880 310 - 1
OTHER TREATMENT	FINISH	MATERIAL	PART NUMBER

OBSOLETE

CUSTOMER DWG
for REFERENCE ONLY

TOLERANCES UNLESS OTHERWISE STATED
DEC ±0.3
ANGLES ±1°

INS DIA. RANGE WIRE RANGE SCALE



DR: [Signature]
SEPT. 27. 83
CHK: [Signature]
JUL 30, 83

DESCRIPTION
2 WAY .250 S. FASTIN-ON TAB HSG.

P	REVISED BY ECO-12-002341	HC	WLS	06FEB12	DE.
N2	REVISED PER ECO-11-005139	RK	HMR	28MAR11	
ISS	REVISION RECORD	DR	APR	DATE	APP. [Signature]

DWG NO: A4 C 880 310 SHEET 1 OF 1