



Chipsmall Limited consists of a professional team with an average of over 10 year of expertise in the distribution of electronic components. Based in Hongkong, we have already established firm and mutual-benefit business relationships with customers from,Europe,America and south Asia,supplying obsolete and hard-to-find components to meet their specific needs.

With the principle of "Quality Parts,Customers Priority,Honest Operation,and Considerate Service",our business mainly focus on the distribution of electronic components. Line cards we deal with include Microchip,ALPS,ROHM,Xilinx,Pulse,ON,Everlight and Freescale. Main products comprise IC,Modules,Potentiometer,IC Socket,Relay,Connector.Our parts cover such applications as commercial,industrial, and automotives areas.

We are looking forward to setting up business relationship with you and hope to provide you with the best service and solution. Let us make a better world for our industry!



Contact us

Tel: +86-755-8981 8866 Fax: +86-755-8427 6832

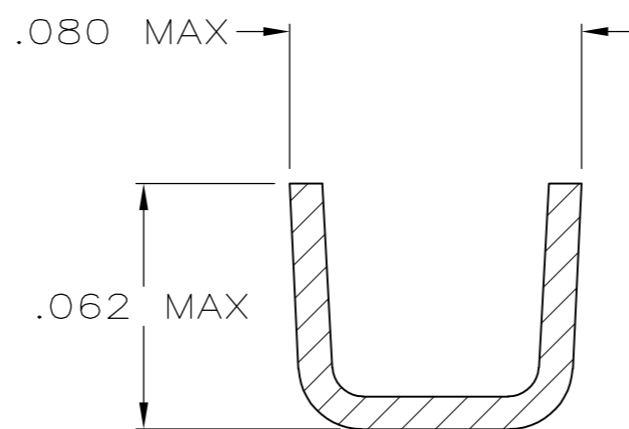
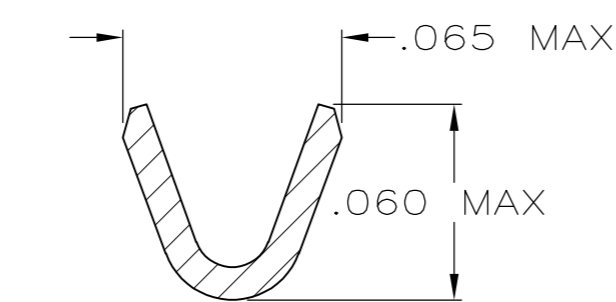
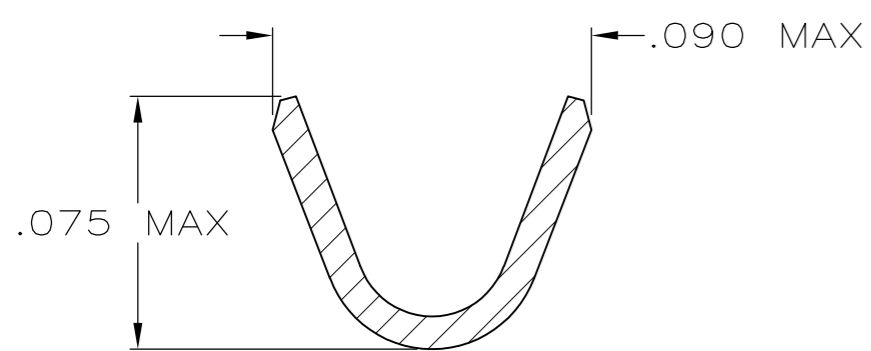
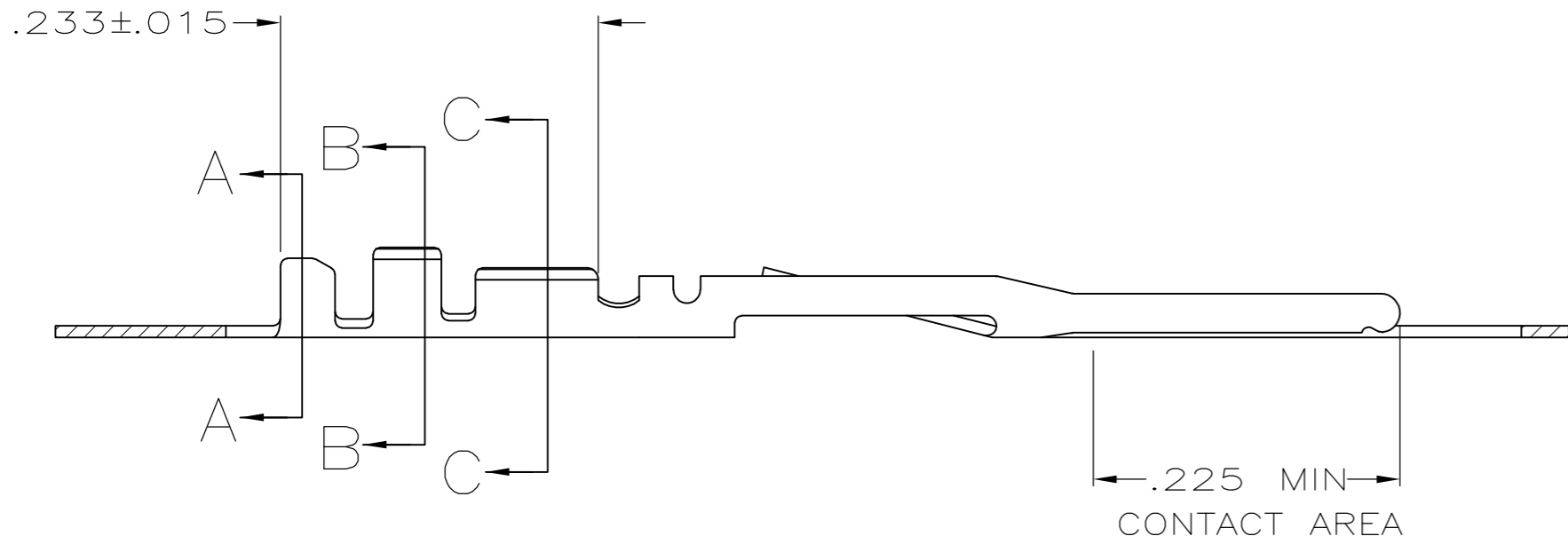
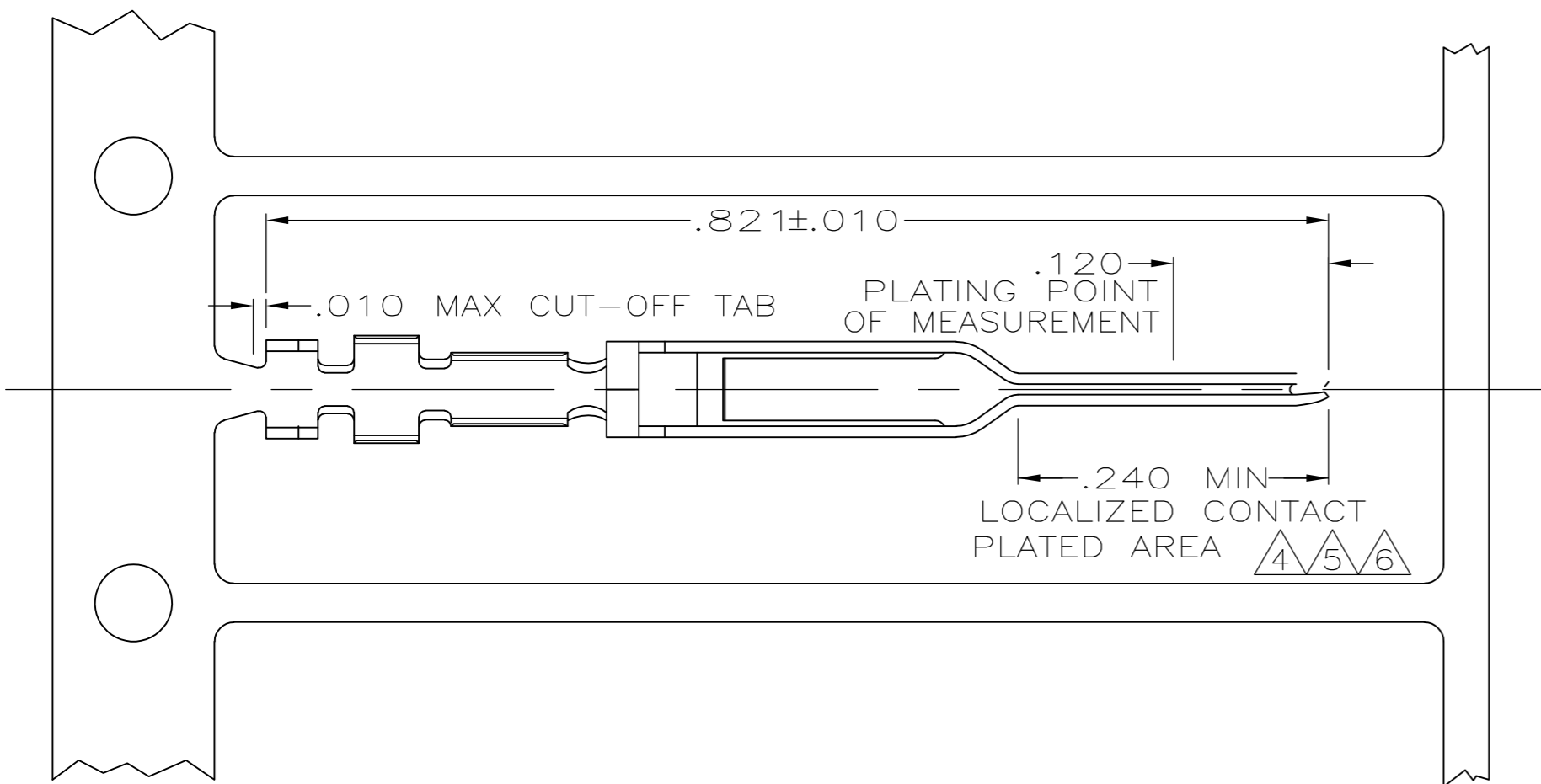
Email & Skype: info@chipsmall.com Web: www.chipsmall.com

Address: A1208, Overseas Decoration Building, #122 Zhenhua RD., Futian, Shenzhen, China



THIS DRAWING IS UNPUBLISHED. RELEASED FOR PUBLICATION
 © COPYRIGHT BY TYCO ELECTRONICS CORPORATION. ALL RIGHTS RESERVED.

LOC	DIST	REVISIONS					
GP	00	P	LTR	DESCRIPTION	DATE	DWN	APVD
		W		REVISED PER ECO-09-001588	25JUN2009	CJV	CWR
		W1		REVISED PER ECO-09-021826	01SEP09	KK	AEG



- 1 FOR STD APPLICATOR.
- 2 FOR MINI APPLICATOR.
- 3 FINISH: .000100 MIN THK BRIGHT-TIN LEAD OVER .000050 MIN THK NICKEL ON ENTIRE CONTACT.
- 4 FINISH: GOLD FLASH ALL OVER, .000015 THK GOLD IN LOCALIZED CONTACT PLATING AREA OVER .000050 MIN THK NICKEL ON ENTIRE CONTACT,
-OR-
GOLD FLASH OVER PALLADIUM-NICKEL, .000015 MIN TOTAL THK IN LOCALIZED CONTACT PLATING AREA AND GOLD FLASH ON REMAINDER OVER .000050 MIN NICKEL ON ENTIRE CONTACT.
- 5 FINISH: GOLD FLASH ALL OVER, .000030 THK GOLD IN LOCALIZED CONTACT PLATING AREA OVER .000050 MIN THK NICKEL ON ENTIRE CONTACT.
- 6 FINISH: GOLD FLASH ALL OVER, .000050 THK GOLD IN LOCALIZED CONTACT PLATING AREA OVER .000050 MIN THK NICKEL ON ENTIRE CONTACT.
- 7. FOR 26-32 AWG WIRE WITH AN INSULATION RANGE OF .025-.048 DIA.
- 8 OBSOLETE PART NO.
- 9 FINISH: .000100 MIN THK MATTE TIN OVER .000050 MIN THK NICKEL ON ENTIRE CONTACT.
- 10 OBSOLETE PARTS: OBSOLETE CIS STREAMLINING PER D.RENAUD/D.SINISI

10 OBSOLETE		2	9	
-	-	2	9	1-88048-4
-	LOOSE PIECE	6	8	1-88048-3
-	-	2	8	1-88048-2
-	-	1	8	1-88048-1
-	LOOSE PIECE	5	8	1-88048-0
-	-	1	8	88048-9
-	-	2	8	88048-8
-	-	1	8	88048-7
-	-	1	8	88048-6
88048-4	LOOSE PIECE	4	-	88048-5
-	-	2	-	88048-4
88048-2	LOOSE PIECE	3	-	88048-3
-	-	2	8	88048-2
SUPERSEDED BY		REMARKS	FINISH	PART NO.

THIS DRAWING IS A CONTROLLED DOCUMENT.

DWN: J. GALLUCCI 6-27-89
 CHK: D.L. ROCKER 6-28-89
 APVD: -

Tyco Electronics Tyco Electronics Corporation
 Harrisburg, PA 17105-3608

PRODUCT SPEC: 108-9024
 APPLICATION SPEC: 114-16003

MATERIAL: PHOS. BRONZE
 FINISH: SEE TABLE

SIZE: A2
 CAGE CODE: 00779
 DRAWING NO: C=88048

CONTACT, PIN, .025 SQ ROUND WIRE, .100CL, FFC

SCALE: 8:1
 SHEET: 1 of 1
 REV: W1