



Chipsmall Limited consists of a professional team with an average of over 10 year of expertise in the distribution of electronic components. Based in Hongkong, we have already established firm and mutual-benefit business relationships with customers from,Europe,America and south Asia,supplying obsolete and hard-to-find components to meet their specific needs.

With the principle of “Quality Parts,Customers Priority,Honest Operation,and Considerate Service”,our business mainly focus on the distribution of electronic components. Line cards we deal with include Microchip,ALPS,ROHM,Xilinx,Pulse,ON,Everlight and Freescale. Main products comprise IC,Modules,Potentiometer,IC Socket,Relay,Connector.Our parts cover such applications as commercial,industrial, and automotives areas.

We are looking forward to setting up business relationship with you and hope to provide you with the best service and solution. Let us make a better world for our industry!



Contact us

Tel: +86-755-8981 8866 Fax: +86-755-8427 6832

Email & Skype: info@chipsmall.com Web: www.chipsmall.com

Address: A1208, Overseas Decoration Building, #122 Zhenhua RD., Futian, Shenzhen, China



4

3

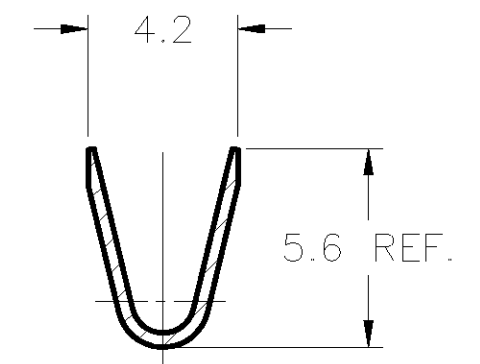
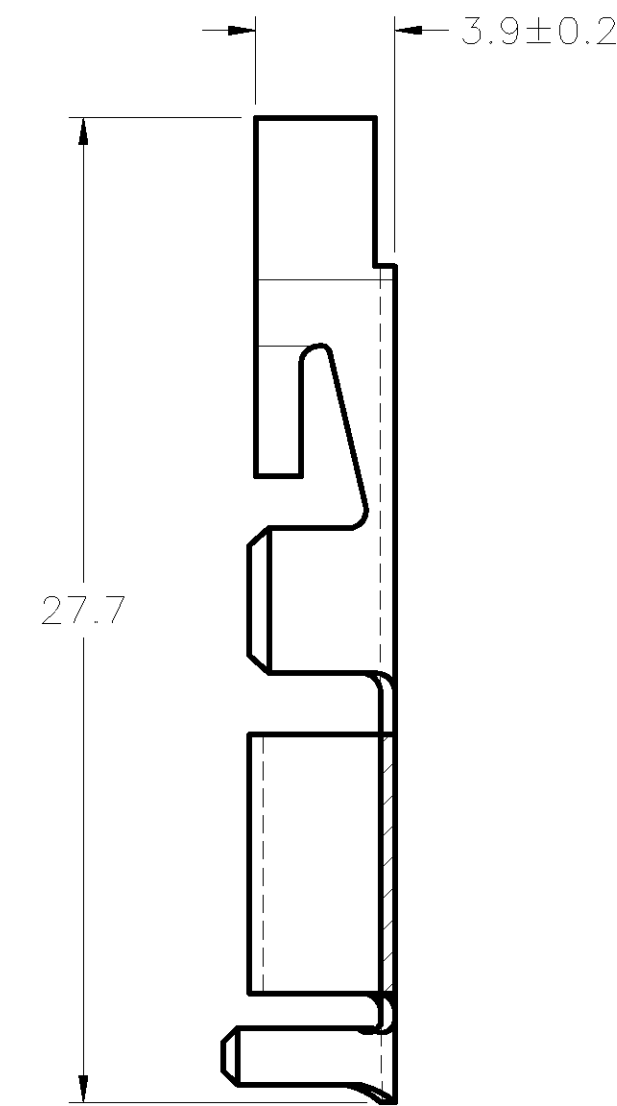
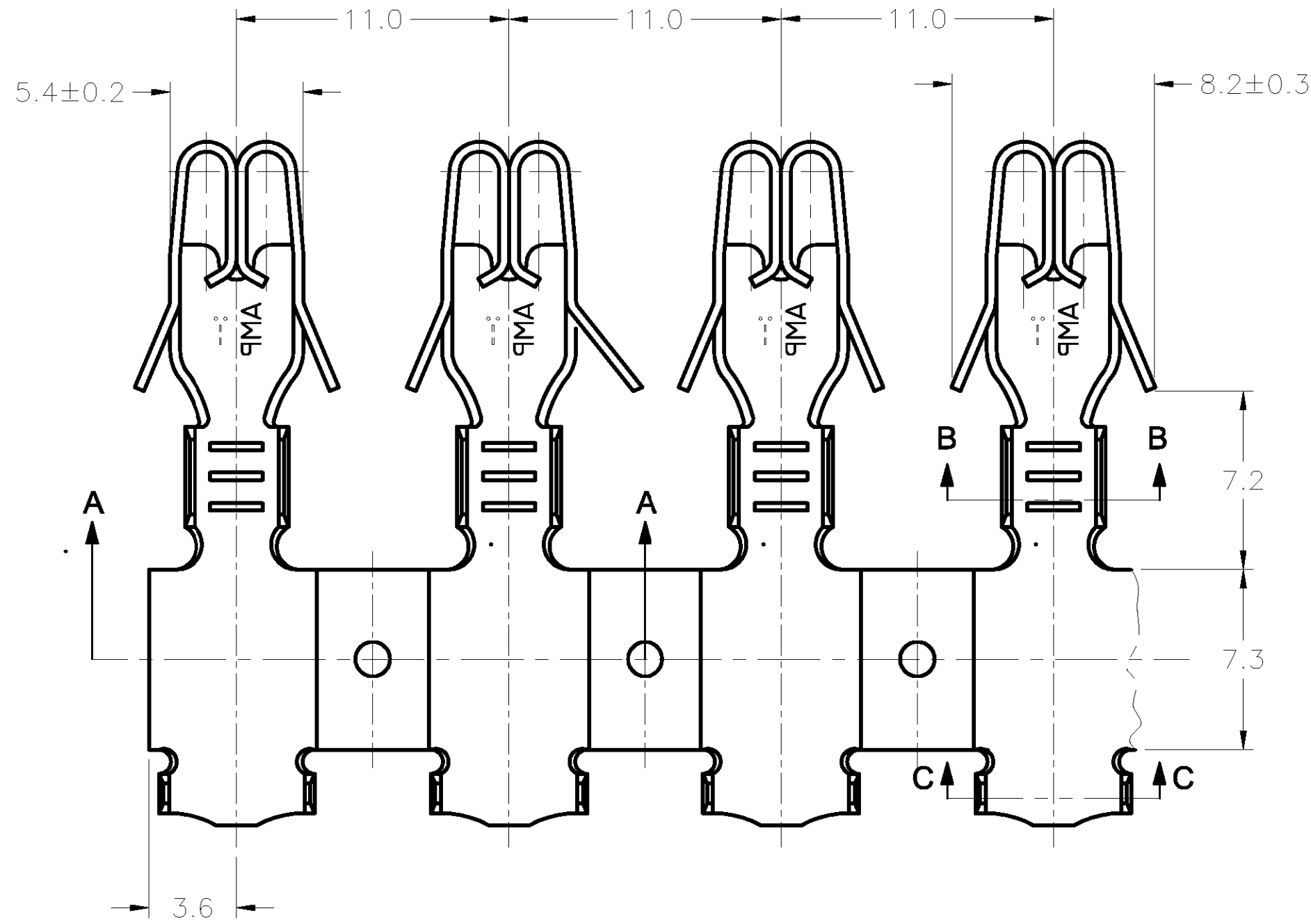
2

1

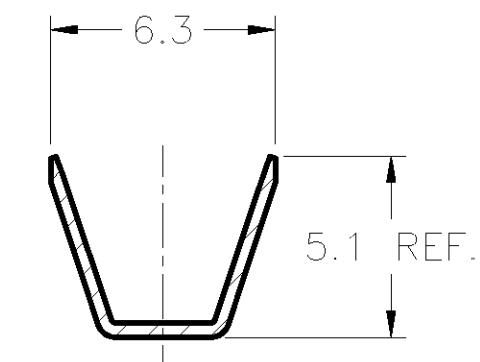
THIS DRAWING IS UNPUBLISHED. RELEASED FOR PUBLICATION .19
 © COPYRIGHT 19 BY AMP INCORPORATED. ALL RIGHTS RESERVED.

CAD
 (Autodesk)
 DO NOT REVISE
 EXCEPT BY CAD

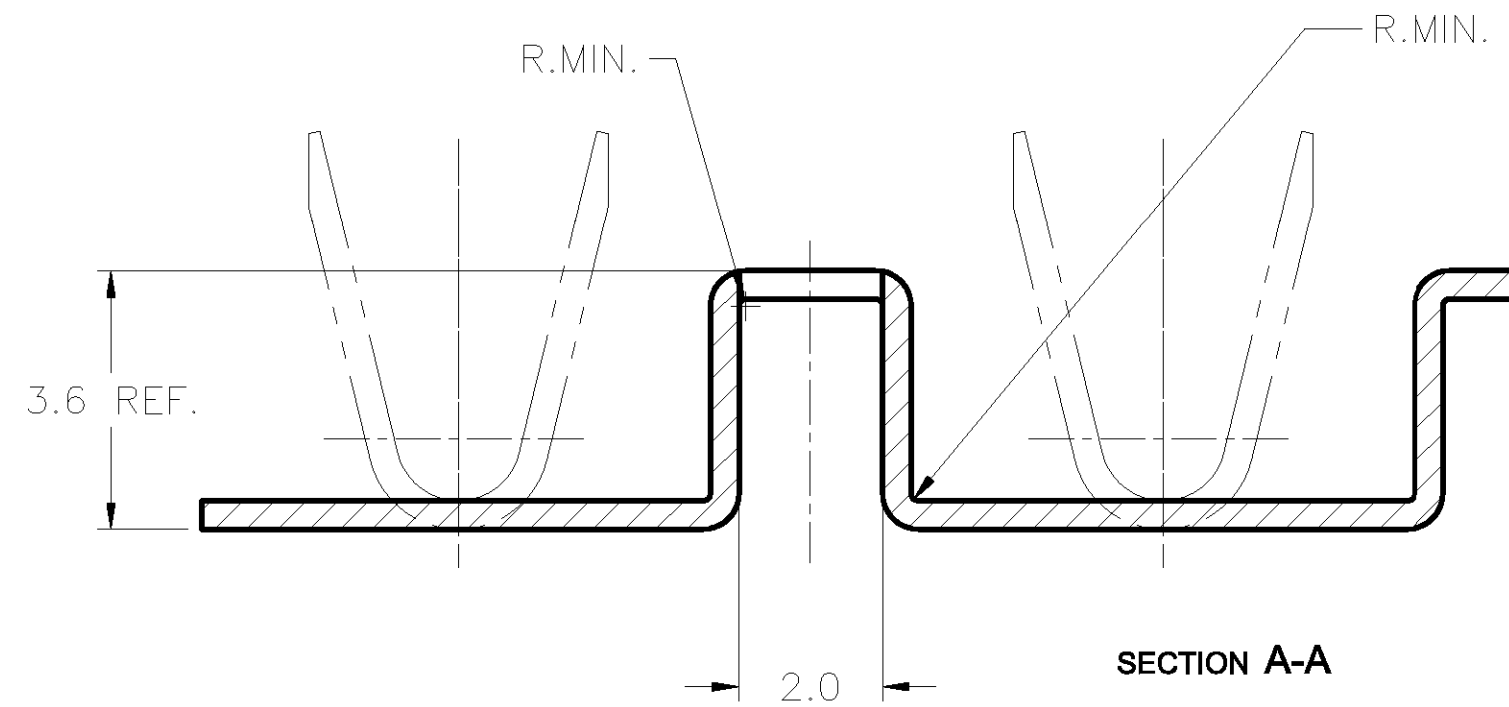
LOC		DIST		REVISIONS		
P	LTR	DESCRIPTION	DATE	DWN	APVD	
E		REDRAW BY EC 0475/99	07JAN00	FSM	PLF	
F		REVISED BY ECLB00-0274/01	02JUL01	HL	PLF	
F1		REVISED PER ECO-09-026444	28NOV09	KK	AEG	



SECTION B-B



SECTION C-C



SECTION A-A

- △ - A QUANTIDADE DE CONTATOS NO BUS-BAR É DEFINIDA PELA NECESSIDADE DO CLIENTE E CORTADA DE ACORDO COM O APLICADOR ESPEDIFICO.
THE BUS-BAR CONTACTS NUMBER IS DEFINED BY CUSTOMER'S NEEDS AND CUT ACCORDINGLY TO THE SPECIFIC APPLICATOR
- △ - ESTES PART NUMBERS SÃO APENAS PARA REFERÊNCIA DO USUÁRIO
THESE PN'S ARE FOR USER'S REFERENCE ONLY
- △ - OS TERMINAIS SÃO FORNECIDOS EM FORMA DE FITA CONTÍNUA SOMENTE
THE CONTACTS ARE SUPPLIED IN CONTINUOUS STRIP FORM ONLY
- △ - OBSOLETE PARTS: OBSOLETE CIS STREAMLINING PER D.RENAUD/D.SINISI

QTY	WIRE RANGE	INSUL. RANGE	FINISH	MATERIAL	PART NUMBER
4	40,12±0,08	2,5 - 5,0mm ²	PRE-ESTANHADO/PRE-TINNED	COBRE FERRO/COPPER IRON	1-880548-6
3	29,12±0,08	3,3 - 5,0mm	PRE-ESTANHADO/PRE-TINNED	COBRE FERRO/COPPER IRON	1-880548-5
2	18,12±0,08		PRE-ESTANHADO/PRE-TINNED	COBRE FERRO/COPPER IRON	1-880548-4
4	40,12±0,08		-/-	COBRE FERRO/COPPER IRON	1-880548-3
3	29,12±0,08		-/-	COBRE FERRO/COPPER IRON	1-880548-2
2	18,12±0,08		-/-	COBRE FERRO/COPPER IRON	1-880548-1
-	-		PRE-ESTANHADO/PRE-TINNED	COBRE FERRO/COPPER IRON	1-880548-0
-	-		-/-	COBRE FERRO/COPPER IRON	880548-9
4	40,12±0,08		PRE-ESTANHADO/PRE-TINNED	LATÃO/BRASS	880548-8
3	29,12±0,08		PRE-ESTANHADO/PRE-TINNED	LATÃO/BRASS	880548-7
2	18,12±0,08		PRE-ESTANHADO/PRE-TINNED	LATÃO/BRASS	880548-6
4	40,12±0,08		-/-	LATÃO/BRASS	880548-5
3	29,12±0,08		-/-	LATÃO/BRASS	880548-4
2	18,12±0,08		-/-	LATÃO/BRASS	880548-3
-	-		PRE-ESTANHADO/PRE-TINNED	LATÃO/BRASS	880548-2
-	-		-/-	LATÃO/BRASS	880548-1

NOTES: APPLICATOR FEED QTY TERM. △ FINISH MATERIAL PART NUMBER

THIS DRAWING IS A CONTROLLED DOCUMENT.

DWN: F.S.MARTINS 03NOV1999	AMP do BRASIL Ltda. São Paulo - Brasil
CHK: P.L.FARIA 07JAN2000	
APVD: F.ALEXANDRONI 10JAN2000	NAME: -
PRODUCT SPEC: -	APPLICATION SPEC: NA
WEIGHT: -	RESTRICTED TO: -

SIZE: A2 CAGE CODE: 00779 DRAWING NO: C-880548 SCALE: 5:1 SHEET: 1 OF 1 REV: F1

880548