



Chipsmall Limited consists of a professional team with an average of over 10 year of expertise in the distribution of electronic components. Based in Hongkong, we have already established firm and mutual-benefit business relationships with customers from,Europe,America and south Asia,supplying obsolete and hard-to-find components to meet their specific needs.

With the principle of “Quality Parts,Customers Priority,Honest Operation,and Considerate Service”,our business mainly focus on the distribution of electronic components. Line cards we deal with include Microchip,ALPS,ROHM,Xilinx,Pulse,ON,Everlight and Freescale. Main products comprise IC,Modules,Potentiometer,IC Socket,Relay,Connector.Our parts cover such applications as commercial,industrial, and automotives areas.

We are looking forward to setting up business relationship with you and hope to provide you with the best service and solution. Let us make a better world for our industry!



Contact us

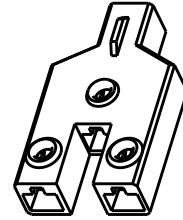
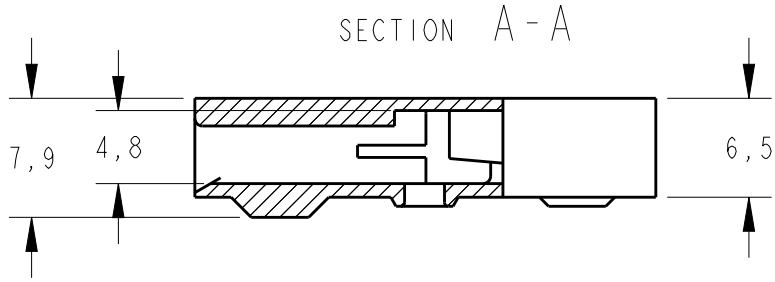
Tel: +86-755-8981 8866 Fax: +86-755-8427 6832

Email & Skype: info@chipsmall.com Web: www.chipsmall.com

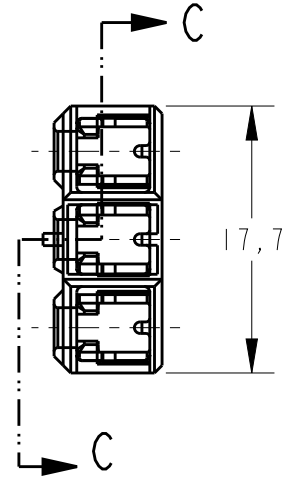
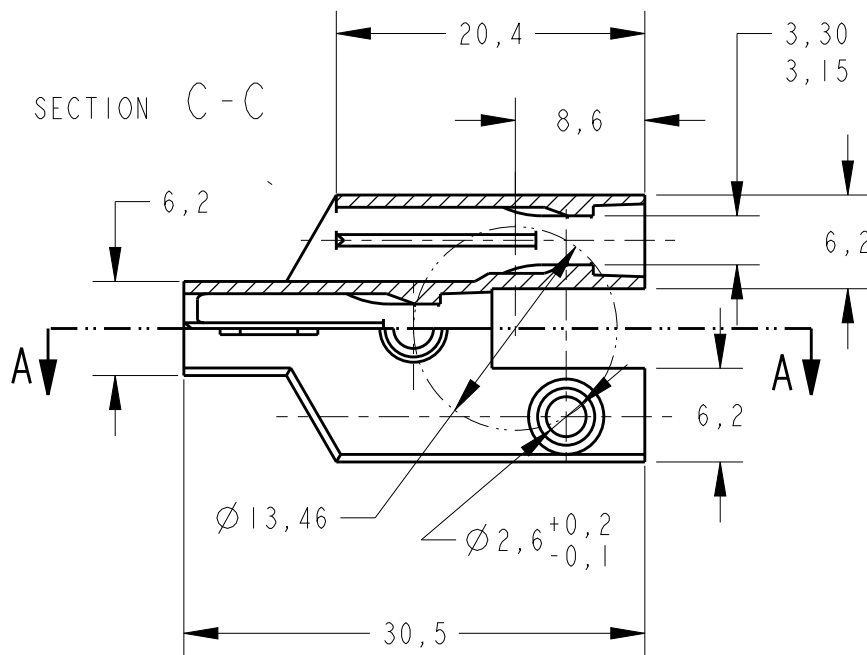
Address: A1208, Overseas Decoration Building, #122 Zhenhua RD., Futian, Shenzhen, China



REVISIONS					
P	LTR	DESCRIPTION	DATE	DWN	APVD
	HI	REDRAWN BY CAD ECO-15-009410	24JUN2015	HC	WLS



SCALE 1:1



NATURAL	POLIESTER-PBT-VALOX 310	880631-5
FINISH	MATERIAL	PART NUMBER

THIS DRAWING IS UNPUBLISHED. BY - COPYRIGHT 20 20 RELEASED FOR PUBLICATION. ALL RIGHTS RESERVED.

DIMENSIONS:	
mm	
TOLERANCES UNLESS OTHERWISE SPECIFIED:	
0 PLC	±-
1 PLC	±0,3
2 PLC	±-
3 PLC	±-
4 PLC	±-
ANGLES	±1°

DWN	24JUN2015
H.C. CANTERI	
CHK	24JUN2015
W.L. STEFANI	
APVD	-
PRODUCT SPEC	108-2008
APPLICATION SPEC	114-2019
WEIGHT	-

MATERIAL	-	FINISH	-
		TE Connectivity	
		NAME CLUSTER BLOCK HSG. 2,29 (.090)DIA.	
SIZE	CAGE CODE	DRAWING NO	RESTRICTED TO
A4	-	C=880631	-
Customer Drawing		SCALE	2/1
		SHEET	1 OF 1
		REV	HI