



Chipsmall Limited consists of a professional team with an average of over 10 year of expertise in the distribution of electronic components. Based in Hongkong, we have already established firm and mutual-benefit business relationships with customers from,Europe,America and south Asia,supplying obsolete and hard-to-find components to meet their specific needs.

With the principle of “Quality Parts,Customers Priority,Honest Operation,and Considerate Service”,our business mainly focus on the distribution of electronic components. Line cards we deal with include Microchip,ALPS,ROHM,Xilinx,Pulse,ON,Everlight and Freescale. Main products comprise IC,Modules,Potentiometer,IC Socket,Relay,Connector.Our parts cover such applications as commercial,industrial, and automotives areas.

We are looking forward to setting up business relationship with you and hope to provide you with the best service and solution. Let us make a better world for our industry!



## Contact us

Tel: +86-755-8981 8866 Fax: +86-755-8427 6832

Email & Skype: info@chipsmall.com Web: www.chipsmall.com

Address: A1208, Overseas Decoration Building, #122 Zhenhua RD., Futian, Shenzhen, China

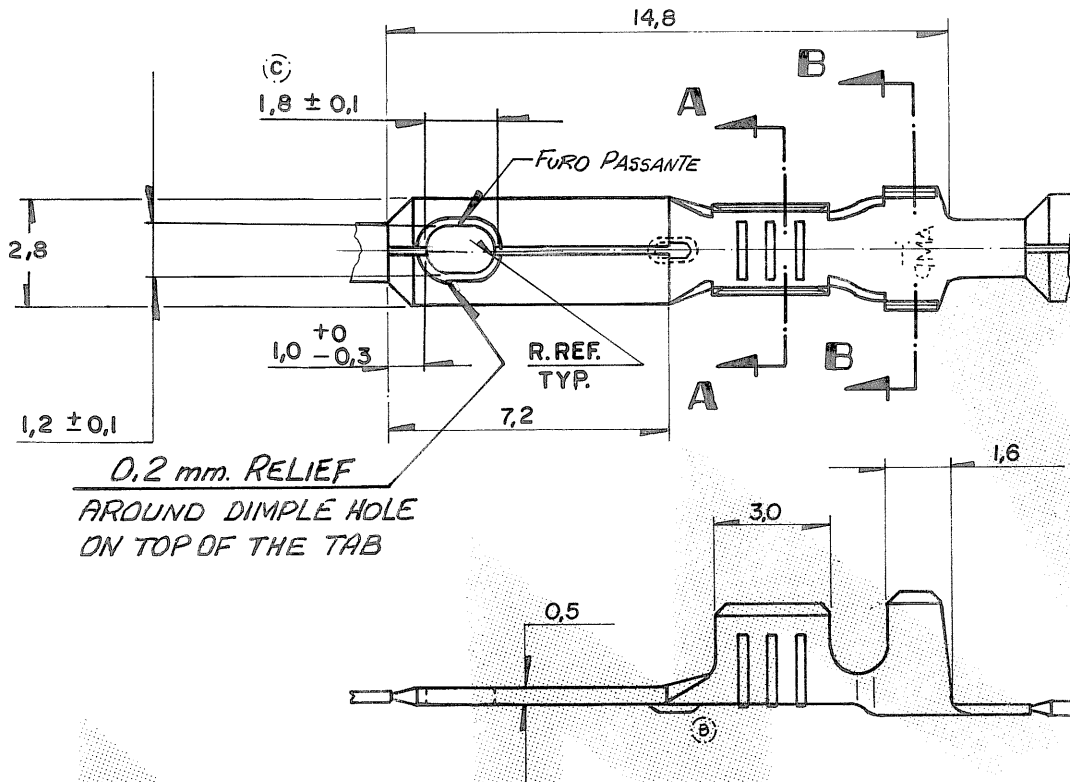


DO NOT SCALE

METRIC

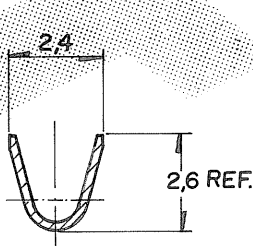
37.5° ANGLE PROJECTION

DIMENSIONS IN mm

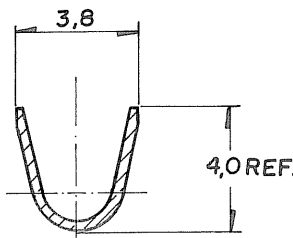


0,2 mm. RELIEF  
AROUND DIMPLE HOLE  
ON TOP OF THE TAB

1 OBSOLETE PARTS:  
OBSOLETE CIS STREAMLINING  
PER: D.RENAUD/D.SINISI



SECÇÃO A-A



SECÇÃO B-B

1	ESTANHADO	LATÃO	880 633 - 2
	—	LATÃO	880 633 - 1
OTHER TREATMENT	FINISH	MATERIAL	PART NUMBER

CUSTOMER DWG  
for REFERENCE ONLY

THIS DRAWING IS UNPUBLISHED RELEASED FOR PUBLICATION 19  
© COPYRIGHT 19 BY AMP DO BRASIL LTDA S.P. ALL INTERNATIONAL RIGHTS RESERVED AMP PRODUCTS MAY BE COVERED BY U.S. AND FOREIGN PATENTS AND/OR PATENTS PENDING

TOLERANCES UNLESS OTHERWISE STATED  
DEC. ± 0,3  
ANGLES ± 1°

INS. DIA. RANGE Ø 2,0 - 2,7	WIRE RANGE 0,5 - 1,0mm <sup>2</sup>	SCALE //
--------------------------------	--	-------------

**Tyco** do BRASIL LTDA.  
**Electronics** São Paulo, Brasil

Dr. *[Signature]* June, 05-90

DESCRIPTION  
.110 SERIES FASTON TAB

CHK *[Signature]* 05. Jun. 90

DE. *[Signature]*  
APP. *[Signature]* 05/Jun/90

DWG NO A 4 C	880 633	SHEET 1 of 1
-----------------	---------	-----------------

ISS	REVISION RECORD	DR	CHK	DATE
D	REV. BY ECO-10-012179	HC	WLS	10AUG10
C1	REVISED PER ECO-09-026444	KK	AEG	26NOV09
C	REVISADO EC LB 00.0120-00	H.C.	<i>[Signature]</i>	26Apr00
B	REVISADO EC LB 0344/93	H.C.	<i>[Signature]</i>	01-set-93
A	WAS P. 85-29066	<i>[Signature]</i>	<i>[Signature]</i>	June 15-90