



Chipsmall Limited consists of a professional team with an average of over 10 year of expertise in the distribution of electronic components. Based in Hongkong, we have already established firm and mutual-benefit business relationships with customers from,Europe,America and south Asia,supplying obsolete and hard-to-find components to meet their specific needs.

With the principle of “Quality Parts,Customers Priority,Honest Operation,and Considerate Service”,our business mainly focus on the distribution of electronic components. Line cards we deal with include Microchip,ALPS,ROHM,Xilinx,Pulse,ON,Everlight and Freescale. Main products comprise IC,Modules,Potentiometer,IC Socket,Relay,Connector.Our parts cover such applications as commercial,industrial, and automotives areas.

We are looking forward to setting up business relationship with you and hope to provide you with the best service and solution. Let us make a better world for our industry!



## Contact us

Tel: +86-755-8981 8866 Fax: +86-755-8427 6832

Email & Skype: info@chipsmall.com Web: www.chipsmall.com

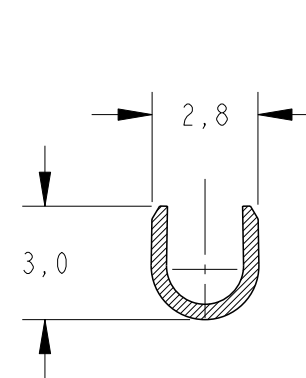
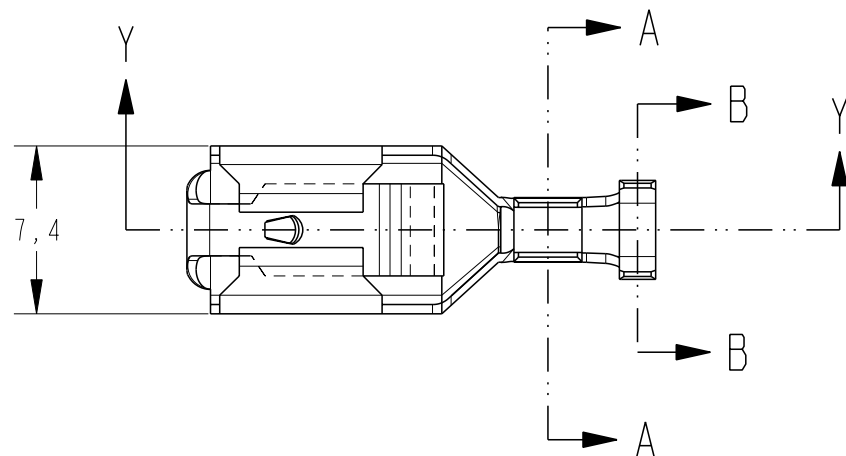
Address: A1208, Overseas Decoration Building, #122 Zhenhua RD., Futian, Shenzhen, China



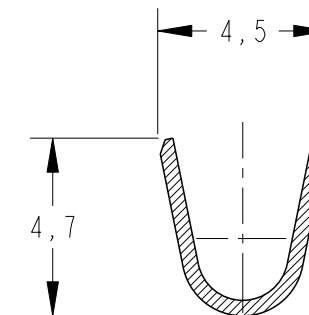
LOC AP DIST -

REVISIONS

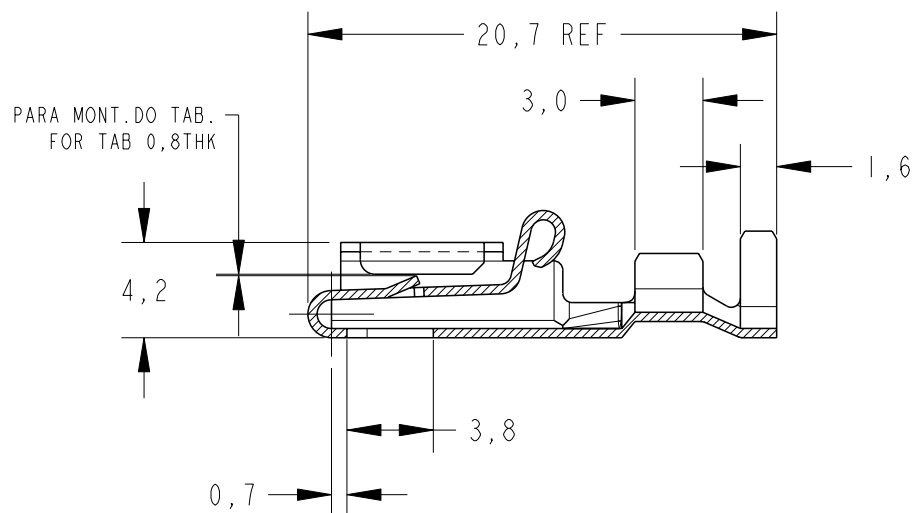
P	LTR	DESCRIPTION	DATE	DWN	APVD
	C5	REDRAW BY CAD	16JUL2012	NCL	DAO



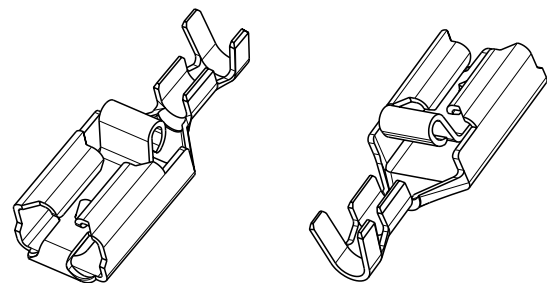
SECTION A-A  
SCALE 5:1



SECTION B-B  
SCALE 5:1



SECTION Y-Y



PERSPECTIVE VIEWS  
SCALE 2:1

**OBSOLETE**  
**OBSOLETE**

PRÉ ESTANHADO/PRE TIN	BRONZE FOSF./PHOSP BRONZE	880646 -6
PRÉ ESTANHADO/PRE TIN	LATÃO / BRASS	880646 -5
<del>ESTANHADO/TIN PLATED</del>	<del>BRONZE FOSF./PHOSP BRONZE</del>	<del>880646 -4</del>
<del>ESTANHADO/TIN PLATED</del>	<del>LATÃO / BRASS</del>	<del>880646 -3</del>
---	BRONZE FOSF./PHOSP BRONZE	880646 -2
---	LATÃO / BRASS	880646 -1
FINISH	MATERIAL	PART NUMBER

INS. RANGE	WIRE RANGE
∅ 2,0-3,30mm	0,5-1,0mm <sup>2</sup>

THIS DRAWING IS A CONTROLLED DOCUMENT.

DWN NCLAPRESA 16JUL2012  
 CHK JRGOLDSCHMIDT 16JUL2012  
 APVD 16JUL2012

NAME

TE Connectivity



DIMENSIONS: mm

TOLERANCES UNLESS OTHERWISE SPECIFIED:

0 PLC	±0,3
1 PLC	±0,1
2 PLC	±0,1
3 PLC	±0,1
4 PLC	±0,1
ANGLES	±30'
FINISH	SEE TABLE

PRODUCT SPEC

APPLICATION SPEC

WEIGHT

SIZE	CAGE CODE	DRAWING NO	RESTRICTED TO
A3	00779	880646	-

MATERIAL SEE TABLE FINISH SEE TABLE

CUSTOMER DRAWING

SCALE 3:1 SHEET 1 OF 1 REV C5