



Chipsmall Limited consists of a professional team with an average of over 10 year of expertise in the distribution of electronic components. Based in Hongkong, we have already established firm and mutual-benefit business relationships with customers from,Europe,America and south Asia,supplying obsolete and hard-to-find components to meet their specific needs.

With the principle of “Quality Parts,Customers Priority,Honest Operation,and Considerate Service”,our business mainly focus on the distribution of electronic components. Line cards we deal with include Microchip,ALPS,ROHM,Xilinx,Pulse,ON,Everlight and Freescale. Main products comprise IC,Modules,Potentiometer,IC Socket,Relay,Connector.Our parts cover such applications as commercial,industrial, and automotives areas.

We are looking forward to setting up business relationship with you and hope to provide you with the best service and solution. Let us make a better world for our industry!



Contact us

Tel: +86-755-8981 8866 Fax: +86-755-8427 6832

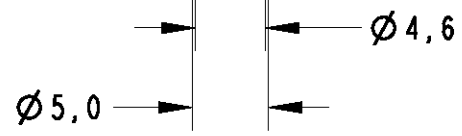
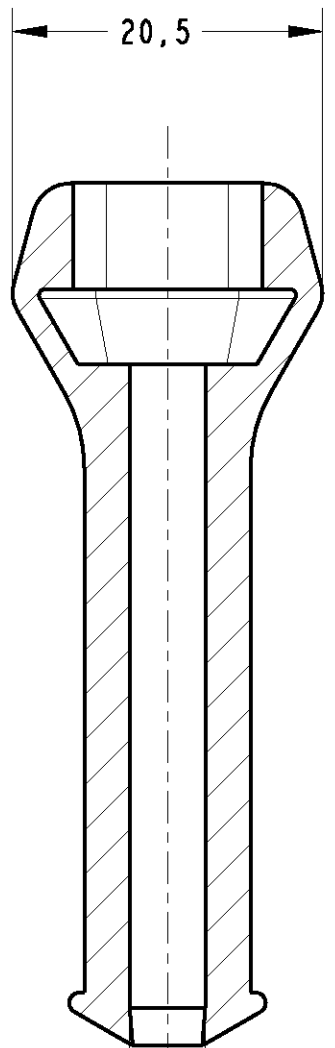
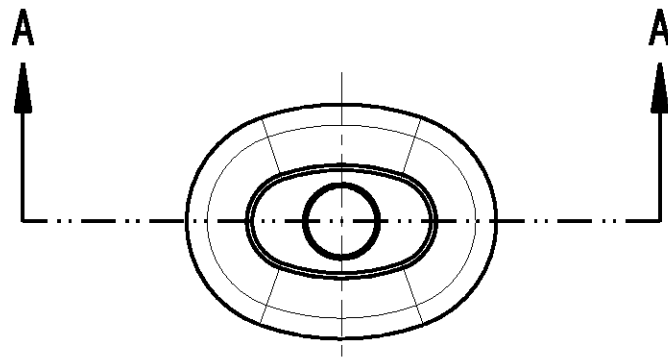
Email & Skype: info@chipsmall.com Web: www.chipsmall.com

Address: A1208, Overseas Decoration Building, #122 Zhenhua RD., Futian, Shenzhen, China



THIS DRAWING IS UNPUBLISHED. RELEASED FOR PUBLICATION
 © COPYRIGHT BY ALL RIGHTS RESERVED.

LOC	DIST	REVISIONS			
P	LTR	DESCRIPTION	DATE	DWN	APVD
AP	-	B1	REVISED PER ECO-11-005139	19MAR11	RK HMR



SECTION A-A

① - ELASTÔMERO SAE J200, 2BC 414, A14, B14, C12, E014, F17, Z1
 Z1=RESISTÊNCIA RASGO, ASTM D624 - 20kg/cm MIN.

② - ELASTÔMERO SAE J200, 2BC 514, A14, B14, C12, E014, F17, Z1
 Z1=RESISTÊNCIA RASGO, ASTM D624 - 20kg/cm MIN.

① -ELASTOMER SAE J200, 2BC 414, A14, B14, C12, E014, F17, Z1
 Z1= TEAR RESISTANCE, ASTM D624 -20kg/cm MIN.

② -ELASTOMER SAE J200, 2BC 514, A14, B14, C12, E014, F17, Z1
 Z1= TEAR RESISTANCE, ASTM D624 -20kg/cm MIN.

FINISH	HARDNESS	MATERIAL	PART NUMBER
PRETO/BLACK	40±5 SHORE A	ELASTOMER ①	880810-2
PRETO/BLACK	50±5 SHORE A	ELASTOMER ②	880810-1

DOWNSIDE		DWN M.L. OGAWA 09JUN99		TE Connectivity	
CHECKED		CHK P.L. FARIA 10JUN99			
APPROVED		APVD J.M.M. NETO 10JUN99			
DIMENSIONS:		TOLERANCES UNLESS OTHERWISE SPECIFIED:		NAME COVER CAP 2 POSN	
mm		0 PLC ±0.3		SIZE	
		1 PLC ±0.3		CAGE CODE	
		2 PLC ±0.3		DRAWING NO	
		3 PLC ±0.3		RESTRICTED TO	
		4 PLC ±0.3		-	
MATERIAL		FINISH		APPLICATION SPEC	
SEE TABLE		SEE TABLE		-	
				WEIGHT	
				-	
				CUSTOMER DRAWING	
				SCALE 2:1	
				SHEET 1 OF 1	
				REV B1	

DO NOT REVISE EXCEPT BY CAD