



Chipsmall Limited consists of a professional team with an average of over 10 year of expertise in the distribution of electronic components. Based in Hongkong, we have already established firm and mutual-benefit business relationships with customers from,Europe,America and south Asia,supplying obsolete and hard-to-find components to meet their specific needs.

With the principle of “Quality Parts,Customers Priority,Honest Operation,and Considerate Service”,our business mainly focus on the distribution of electronic components. Line cards we deal with include Microchip,ALPS,ROHM,Xilinx,Pulse,ON,Everlight and Freescale. Main products comprise IC,Modules,Potentiometer,IC Socket,Relay,Connector.Our parts cover such applications as commercial,industrial, and automotives areas.

We are looking forward to setting up business relationship with you and hope to provide you with the best service and solution. Let us make a better world for our industry!



Contact us

Tel: +86-755-8981 8866 Fax: +86-755-8427 6832

Email & Skype: info@chipsmall.com Web: www.chipsmall.com

Address: A1208, Overseas Decoration Building, #122 Zhenhua RD., Futian, Shenzhen, China



THIS DRAWING IS UNPUBLISHED.

RELEASED FOR PUBLICATION

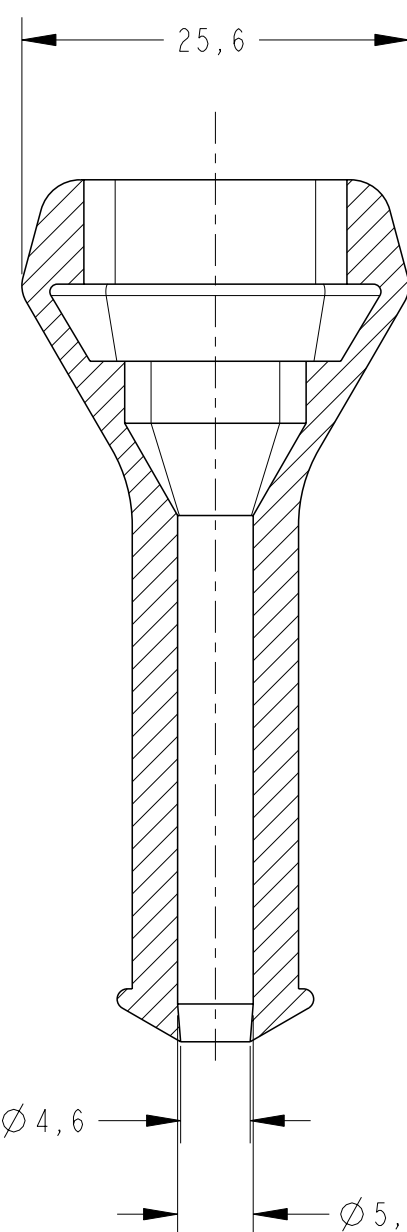
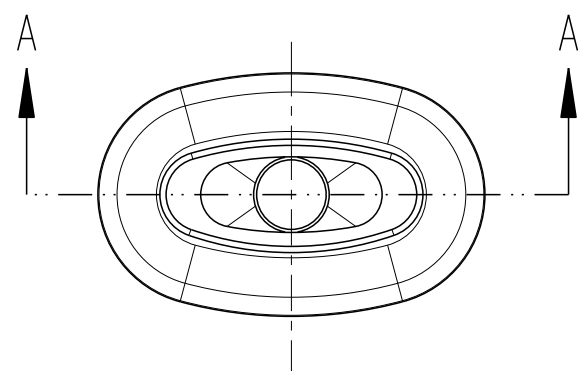
© COPYRIGHT 19

ALL RIGHTS RESERVED.

LOC AP DIST -

REVISIONS

P	LTR	DESCRIPTION	DATE	DWN	APVD
	DI	OBSOLETE DASH I ECO-13-006169	09APR2013	NCL	DAO



SECTION A-A

1 - ELASTÔMERO SAE J200, 2BC 414, A14, B14, C12, E014, F17, Z1
 Z1=RESISTÊNCIA RASGO, ASTM D624 - 20kg/cm MIN.

2 - ELASTÔMERO SAE J200, 2BC 514, A14, B14, C12, E014, F17, Z1
 Z1=RESISTÊNCIA RASGO, ASTM D624 - 20kg/cm MIN.

3 - ELASTOMERO SAE J 200M, 2GE, 405, A19, B37, EA14, E016, E036, F19, G11, Z1 Z1 = EXTERNAMENTE LUBRIFICADO 2%

1 - ELASTOMER SAE J200, 2BC 414, A14, B14, C12, E014, F17, Z1
 Z1= TEAR RESISTANCE, ASTM D624 -20kg/cm MIN.

2 - ELASTOMER SAE J200, 2BC 514, A14, B14, C12, E014, F17, Z1
 Z1= TEAR RESISTANCE, ASTM D624 -20kg/cm MIN.

3 - ELASTOMER SAE J 200M, 2GE, 405, A19, B37, EA14, E016, E036, F19, G11, Z1 Z1 = 2% LUBRIFICATED EXTERNALY

PRETO/BLACK	40±5 SHORE A	SILICON 3	880811-3
PRETO/BLACK	40±5 SHORE A	ELASTOMER 1	880811-2
PRETO/BLACK	50±5 SHORE A	ELASTOMER 2	880811-1
OBSOLETE			
FINISH	HARDNESS	MATERIAL	PART NUMBER

THIS DRAWING IS A CONTROLLED DOCUMENT.		DWN M.L. OGAWA 10JUN99	TE Connectivity	
DIMENSIONS: mm		CHK P.L.FARIA 10JUN99		
TOLERANCES UNLESS OTHERWISE SPECIFIED:		APVD J.M.M.NETO 10JUN99	NAME	
0 PLC ± ACCORDING		PRODUCT SPEC	COVER CAP 3 POSN	
1 PLC ± DIN ISO		APPLICATION SPEC	-	
2 PLC ± 3302-1		WEIGHT	SIZE A3	CAGE CODE 00779
3 PLC ± CLASS M2		FINISH	DRAWING NO C-880811	RESTRICTED TO
4 PLC ±			SCALE 2:1	SHEET 1 OF 1
ANGLES ±				REV DI
MATERIAL SEE TABLE			CUSTOMER DRAWING	