



Chipsmall Limited consists of a professional team with an average of over 10 year of expertise in the distribution of electronic components. Based in Hongkong, we have already established firm and mutual-benefit business relationships with customers from,Europe,America and south Asia,supplying obsolete and hard-to-find components to meet their specific needs.

With the principle of "Quality Parts,Customers Priority,Honest Operation,and Considerate Service",our business mainly focus on the distribution of electronic components. Line cards we deal with include Microchip,ALPS,ROHM,Xilinx,Pulse,ON,Everlight and Freescale. Main products comprise IC,Modules,Potentiometer,IC Socket,Relay,Connector.Our parts cover such applications as commercial,industrial, and automotives areas.

We are looking forward to setting up business relationship with you and hope to provide you with the best service and solution. Let us make a better world for our industry!



Contact us

Tel: +86-755-8981 8866 Fax: +86-755-8427 6832

Email & Skype: info@chipsmall.com Web: www.chipsmall.com

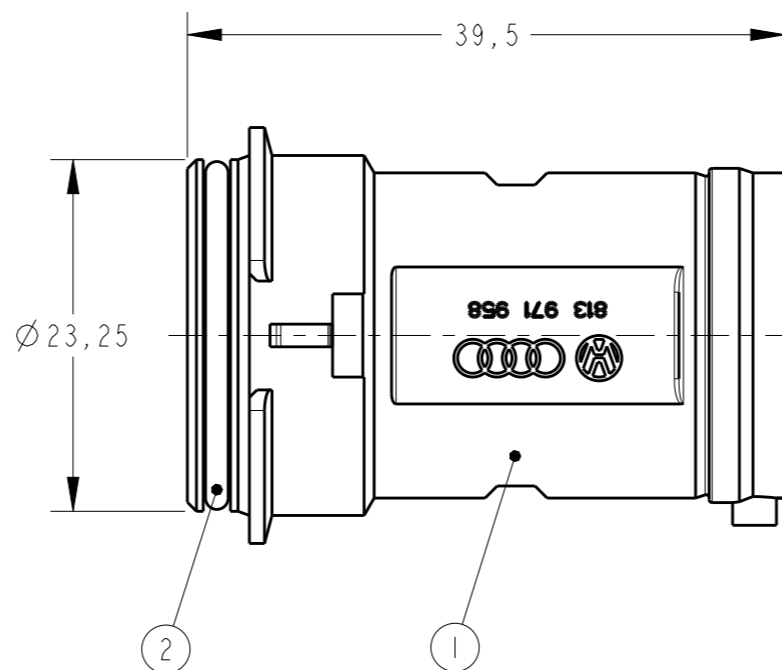
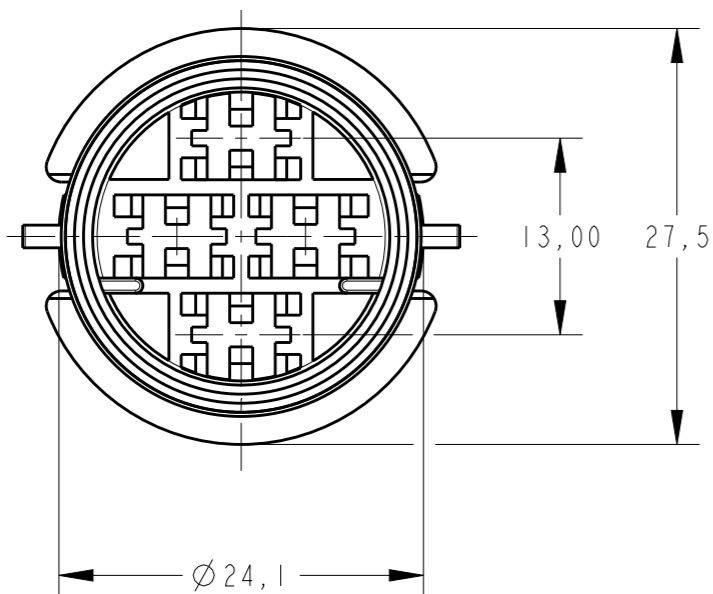
Address: A1208, Overseas Decoration Building, #122 Zhenhua RD., Futian, Shenzhen, China



creo
Creo Parametric 3.0
DO NOT REVISE
EXCEPT BY CAD

REVISIONS

P	LTR	DESCRIPTION	DATE	DWN	APVD
	A3	REDRAW BY CAD ECO-16-012742	01FEB2017	NCL	DAO



1 - OBSOLETE PARTS: OBSOLETE CIS STREAMLINING PER D.RENAUD/D.SINISI

2 - DIMENSÕES NÃO ENCONTRADAS DEVEM SER OBTIDAS DO CAD 3D DA PEÇA, DEVENDO-SE EMPREGAR O VALOR DA TOLERÂNCIA LINEAR COM UMA CASA DECIMAL, MOSTRADO NA TABELA DE TOLERÂNCIA GERAL NESTE DESENHO.

2 - NOT FOUND DIMENSIONS MUST BE GOTTEN FROM THE PART 3D CAD DATABASE AND MUST BE USED THE VALUE OF THE LINEAR TOLERANCE WITH ONE DECIMAL PLACE, SHOWN IN THE TOLERANCE TABLE ON THIS DRAWING.

OBSOLETE									
REQ. PER ASSY									ITEM
-8	-7	-6	-5	-4	-3	-2	-1		
									2

VW PART NUMBER	DESCRIPTION	MATERIAL	FINISH
813 971 958 - G	4 WAY .250 FASTIN-ON TAB HSG	NEOPRENE/NITRILICA	PRETO/BLACK
813 971 958 - F	4 WAY .250 FASTIN-ON TAB HSG	PA 6.6	CINZA/GRAY
813 971 958 - E	4 WAY .250 FASTIN-ON TAB HSG	PA 6.6	VERDE/GREEN
813 971 958 - D	4 WAY .250 FASTIN-ON TAB HSG	PA 6.6	BRANCO/WHITE
813 971 958 - C	4 WAY .250 FASTIN-ON TAB HSG	PA 6.6	AZUL/BLUE
813 971 958 - B	4 WAY .250 FASTIN-ON TAB HSG	PA 6.6	AMARELO/YELLOW
813 971 958 - A	4 WAY .250 FASTIN-ON TAB HSG	PA 6.6	VERMELHO/RED
813 971 958	4 WAY .250 FASTIN-ON TAB HSG	PA 6.6	MARROM/BROWN
			PRETO/BLACK

THIS DRAWING IS A CONTROLLED DOCUMENT.

DWN: NCLAPRESA 31 JAN 2017
 CHK: FORTUNATO 31 JAN 2017
 APVD: DAOLIVEIRA 31 JAN 2017

DIMENSIONS: mm

TOLERANCES UNLESS OTHERWISE SPECIFIED:
 0 PLC ±
 1 PLC ±0,3
 2 PLC ±0,2
 3 PLC ±
 4 PLC ±
 ANGLES ±1°

MATERIAL: SEE TABLE

FINISH: -

PRODUCT SPEC: -
 APPLICATION SPEC: -
 WEIGHT: -

CUSTOMER DRAWING

STE TE Connectivity

NAME: 4 WAY 250 FASTIN-ON TAB HSG ASSY

SIZE: A3 CAGE CODE: - DRAWING NO: C-881208 RESTRICTED TO: -

SCALE: 1:1 SHEET: 1 OF 1 REV: A3