



Chipsmall Limited consists of a professional team with an average of over 10 year of expertise in the distribution of electronic components. Based in Hongkong, we have already established firm and mutual-benefit business relationships with customers from,Europe,America and south Asia,supplying obsolete and hard-to-find components to meet their specific needs.

With the principle of “Quality Parts,Customers Priority,Honest Operation,and Considerate Service”,our business mainly focus on the distribution of electronic components. Line cards we deal with include Microchip,ALPS,ROHM,Xilinx,Pulse,ON,Everlight and Freescale. Main products comprise IC,Modules,Potentiometer,IC Socket,Relay,Connector.Our parts cover such applications as commercial,industrial, and automotives areas.

We are looking forward to setting up business relationship with you and hope to provide you with the best service and solution. Let us make a better world for our industry!



Contact us

Tel: +86-755-8981 8866 Fax: +86-755-8427 6832

Email & Skype: info@chipsmall.com Web: www.chipsmall.com

Address: A1208, Overseas Decoration Building, #122 Zhenhua RD., Futian, Shenzhen, China



THIS DRAWING IS UNPUBLISHED. RELEASED FOR PUBLICATION 20
 © COPYRIGHT 20 BY TYCO ELECTRONICS CORPORATION. ALL RIGHTS RESERVED.

CAD
Pro-E
 DO NOT REVISE
 EXCEPT BY CAD

LOC AP
 DIST -

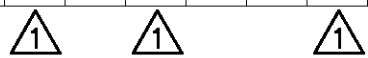
REVISIONS

P	LTR	DESCRIPTION	DATE	DWN	APVD
	C	REVISED BY ECLE10 0356/04	11NOV2004	JOF	PLF
	C1	REVISED BY EC LE10-0009/05	17FEB2005	MAS	PLF
	C2	REVISED PER ECO-09-026444	27NOV09	KK	AEG

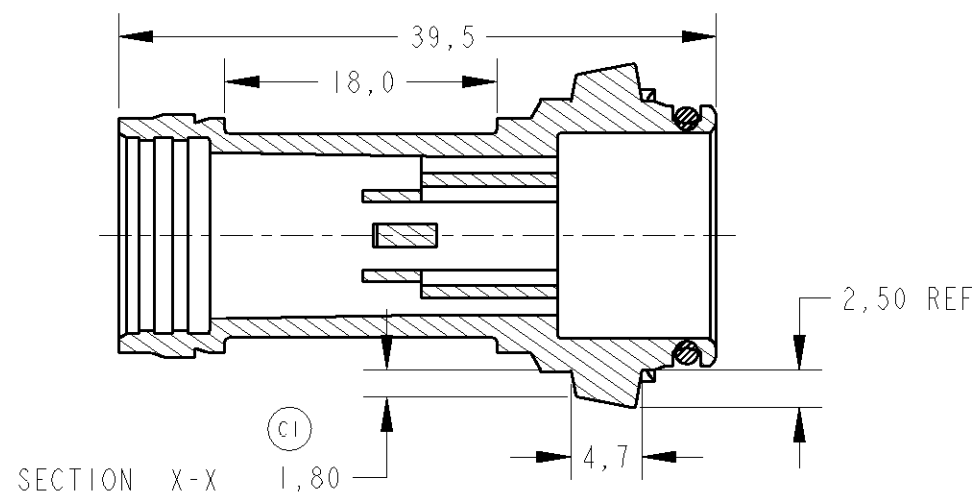
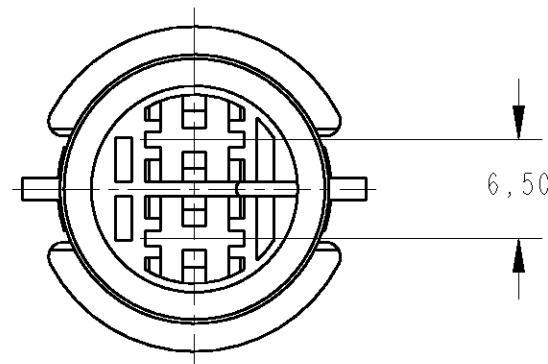
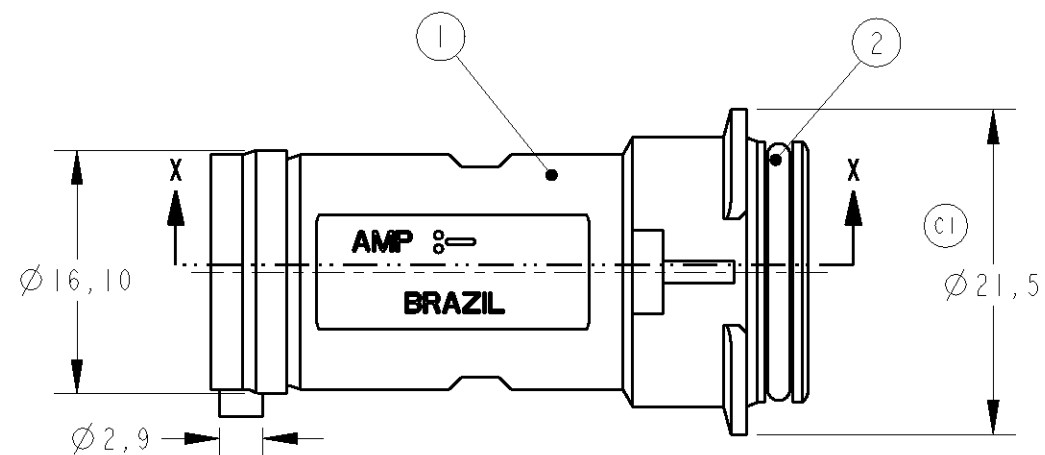
881209

REQUIRED PER ASSY

PN	VW	-8	-7	-6	-5	-4	-3	-2	-1	ITEM	DESCRIPTION	MATERIAL	FINISH
813 971 956		--	--	--	--	--	--	--	1	1	2 WAY TAB HOUSING	POLIAMIDA 6.6	PRETO
813 971 956-A		--	--	--	--	--	--	1	--	1	2 WAY TAB HOUSING	POLIAMIDA 6.6	MARROM
813 971 956-B		--	--	--	--	1	--	--	--	1	2 WAY TAB HOUSING	POLIAMIDA 6.6	VERMELHO
813 971 956-C		--	--	--	1	--	--	--	--	1	2 WAY TAB HOUSING	POLIAMIDA 6.6	AMARELO
813 971 956-D		--	--	--	1	--	--	--	--	1	2 WAY TAB HOUSING	POLIAMIDA 6.6	AZUL
813 971 956-E		--	--	1	--	--	--	--	--	1	2 WAY TAB HOUSING	POLIAMIDA 6.6	BRANCO
813 971 956-F		--	1	--	--	--	--	--	--	1	2 WAY TAB HOUSING	POLIAMIDA 6.6	VERDE
813 971 956-G		1	--	--	--	--	--	--	--	1	2 WAY TAB HOUSING	POLIAMIDA 6.6	CINZA
---		1	1	1	1	1	1	1	1	2	O'RING	NEOPRENE / NITRILICA	PRETO



1 OBSOLETE PARTS: OBSOLETE CIS STREAMLINING PER D.RENAUD/D.SINISI



<small>THIS DRAWING IS A CONTROLLED DOCUMENT FOR TYCO ELECTRONICS CORPORATION IT IS SUBJECT TO CHANGE AND THE CONTROLLING ENGINEERING ORGANIZATION SHOULD BE CONTACTED FOR THE LATEST REVISION.</small>		DWN J.OLVADIAS 09NOV2004 CHK PL FARIA 11NOV2004 APVD M.OLIVEIRA 11NOV2004		tyco Electronics		TYCO ELECTRONICS do Brasil LTDA. Sao Paulo, Brasil	
DIMENSIONS: mm		TOLERANCES UNLESS OTHERWISE SPECIFIED: 0 PLC ±0,3 1 PLC ±0,3 2 PLC ±0,2 3 PLC ± 4 PLC ± ANGLES ±30'		NAME 2 WAY TAB HSG. ASS'Y		RESTRICTED TO -	
MATERIAL SEE TABLE		FINISH SEE TABLE		PRODUCT SPEC - APPLICATION SPEC - WEIGHT - / -		SIZE A3 CAGE CODE 00779 DRAWING NO C-881209	
CUSTOMER DRAWING				SCALE 3:1		SHEET 1 OF 1 REV C2	