



Chipsmall Limited consists of a professional team with an average of over 10 year of expertise in the distribution of electronic components. Based in Hongkong, we have already established firm and mutual-benefit business relationships with customers from,Europe,America and south Asia,supplying obsolete and hard-to-find components to meet their specific needs.

With the principle of “Quality Parts,Customers Priority,Honest Operation,and Considerate Service”,our business mainly focus on the distribution of electronic components. Line cards we deal with include Microchip,ALPS,ROHM,Xilinx,Pulse,ON,Everlight and Freescale. Main products comprise IC,Modules,Potentiometer,IC Socket,Relay,Connector.Our parts cover such applications as commercial,industrial, and automotives areas.

We are looking forward to setting up business relationship with you and hope to provide you with the best service and solution. Let us make a better world for our industry!



## Contact us

Tel: +86-755-8981 8866 Fax: +86-755-8427 6832

Email & Skype: info@chipsmall.com Web: www.chipsmall.com

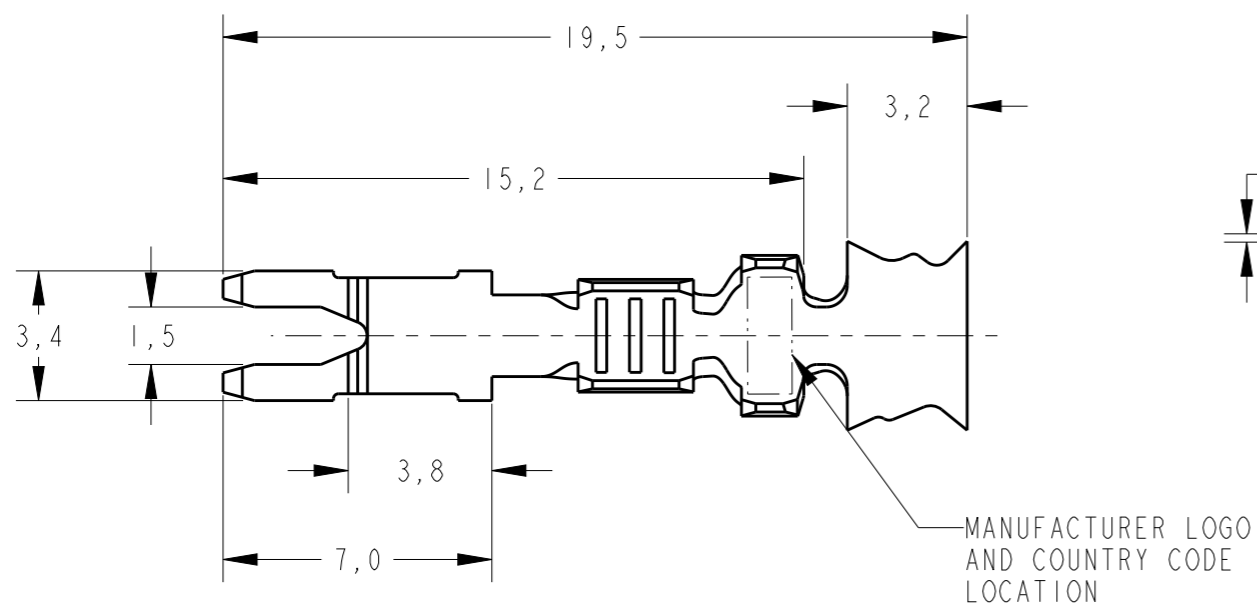
Address: A1208, Overseas Decoration Building, #122 Zhenhua RD., Futian, Shenzhen, China



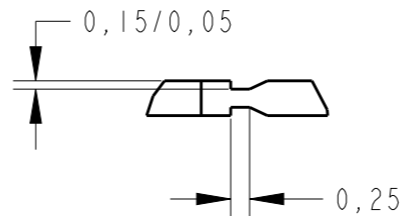
THIS DRAWING IS UNPUBLISHED. RELEASED FOR PUBLICATION 20  
 © COPYRIGHT 20 BY - ALL RIGHTS RESERVED.

LOC AP DIST -

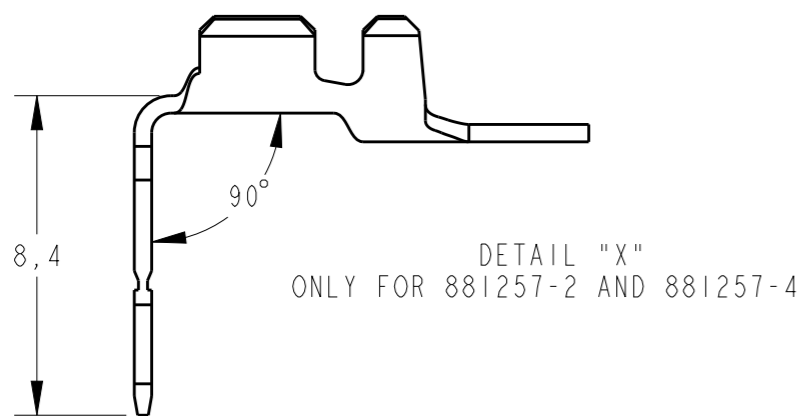
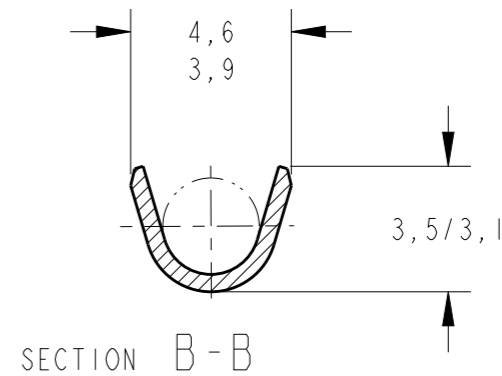
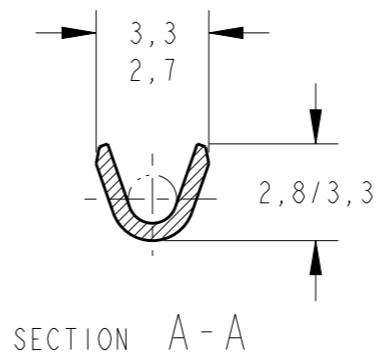
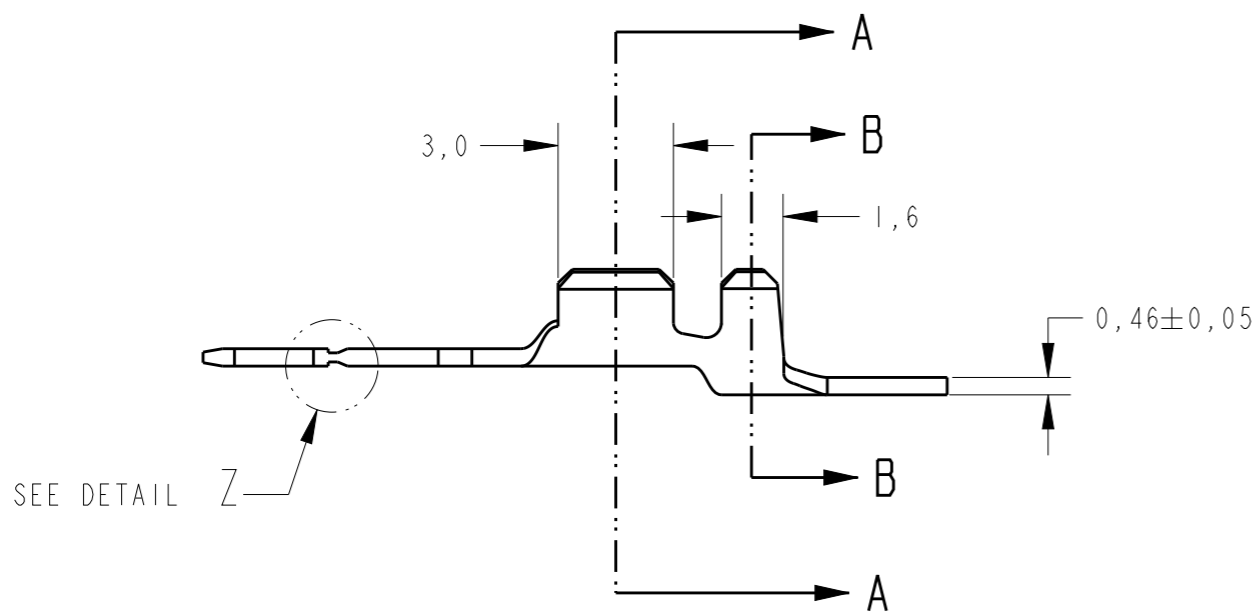
REVISIONS					
P	LTR	DESCRIPTION	DATE	DWN	APVD
	E3	REDRAWN AND REVISED ECO 15-002215	25FEB2015	HC	WLS
	E4	REVISED BY ECO 16-003728	11MAR2016	HC	WLS



DETAIL Z  
SCALE 10:1



- ⚠ 1 - SAME AS 881257-1 EXCEPT IT MUST BE BENT AT 90° DURING APPLICATION PROCESS (SEE DETAIL "X").
- ⚠ 2 - SAME AS 881257-3 EXCEPT IT MUST BE BENT AT 90° DURING APPLICATION PROCESS (SEE DETAIL "X").



FINISH	MATERIAL	PART NUMBER
OBSOLETE	POST TIN PLATED OVER NICKEL	BRASS 881257-5
OBSOLETE		BRASS 881257-4 ⚠ 2
		BRASS 881257-3
OBSOLETE	PRE TIN PLATED	BRASS 881257-2 ⚠ 1
	PRE TIN PLATED	BRASS 881257-1

INS. RANGE  $\varnothing 1,5/2,5\text{mm.}$  WIRE RANGE 0,3/0,8mm<sup>2</sup>

THIS DRAWING IS A CONTROLLED DOCUMENT.

DWN 25FEB2015 H.C.CANTERI

CHK 26FEB2015 W.L.STEFANI



DIMENSIONS:	TOLERANCES UNLESS OTHERWISE SPECIFIED:
mm	
	0 PLC ± -
	1 PLC ± 0,3
	2 PLC ±
	3 PLC ±
	4 PLC ±
	ANGLES ± 1°
MATERIAL -	FINISH -

APVD -	NAME
PRODUCT SPEC -	
APPLICATION SPEC -	
WEIGHT -	

MAG-MATE POKE-IN TAB			
SIZE A3	CAGE CODE 00779	DRAWING NO. C-881257	RESTRICTED TO -
Customer Drawing		SCALE 5/1	SHEET 1 OF 1 REV E4