



Chipsmall Limited consists of a professional team with an average of over 10 year of expertise in the distribution of electronic components. Based in Hongkong, we have already established firm and mutual-benefit business relationships with customers from,Europe,America and south Asia,supplying obsolete and hard-to-find components to meet their specific needs.

With the principle of “Quality Parts,Customers Priority,Honest Operation,and Considerate Service”,our business mainly focus on the distribution of electronic components. Line cards we deal with include Microchip,ALPS,ROHM,Xilinx,Pulse,ON,Everlight and Freescale. Main products comprise IC,Modules,Potentiometer,IC Socket,Relay,Connector.Our parts cover such applications as commercial,industrial, and automotives areas.

We are looking forward to setting up business relationship with you and hope to provide you with the best service and solution. Let us make a better world for our industry!



## Contact us

Tel: +86-755-8981 8866 Fax: +86-755-8427 6832

Email & Skype: info@chipsmall.com Web: www.chipsmall.com

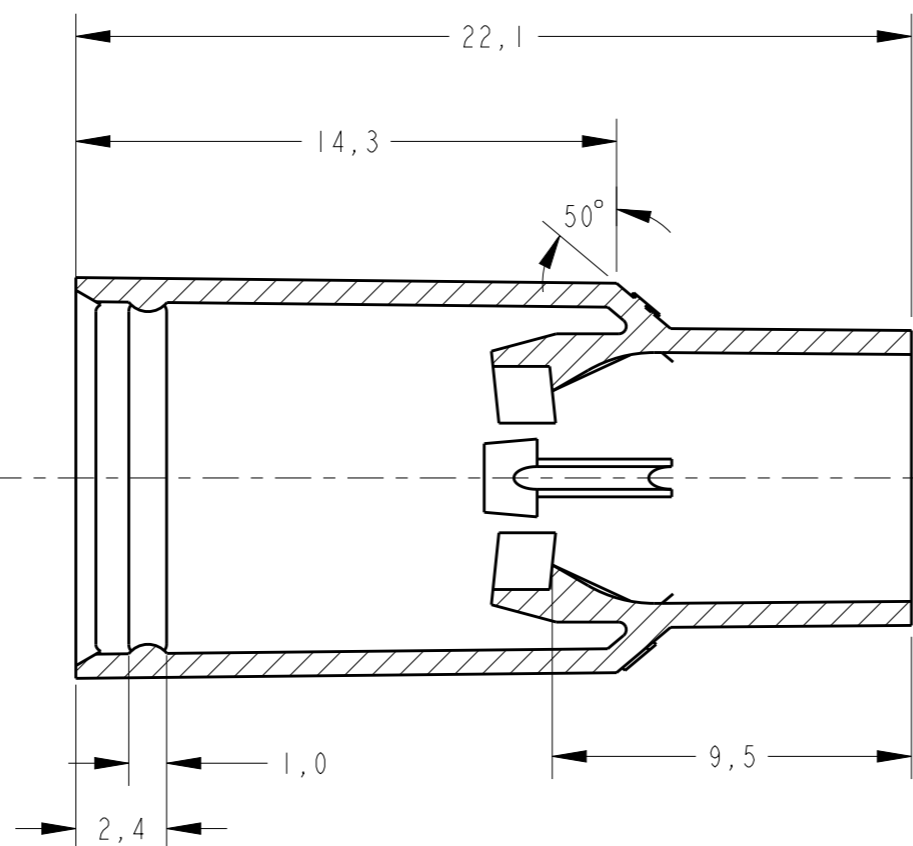
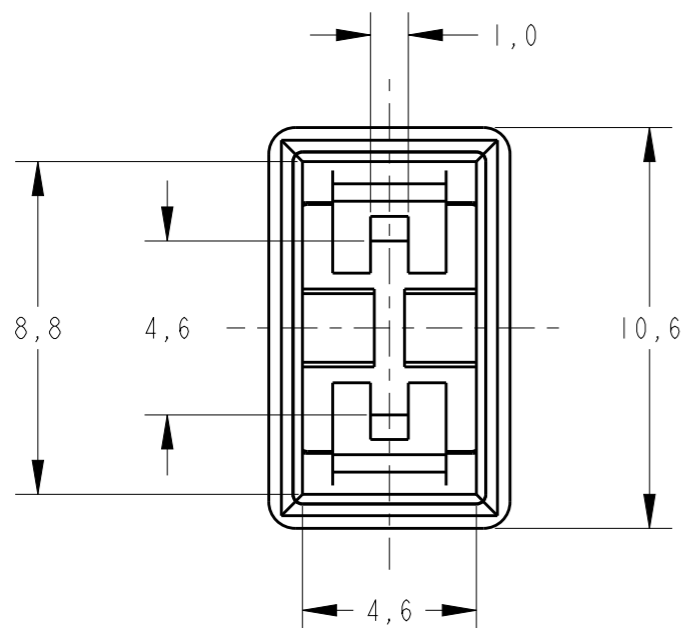
Address: A1208, Overseas Decoration Building, #122 Zhenhua RD., Futian, Shenzhen, China



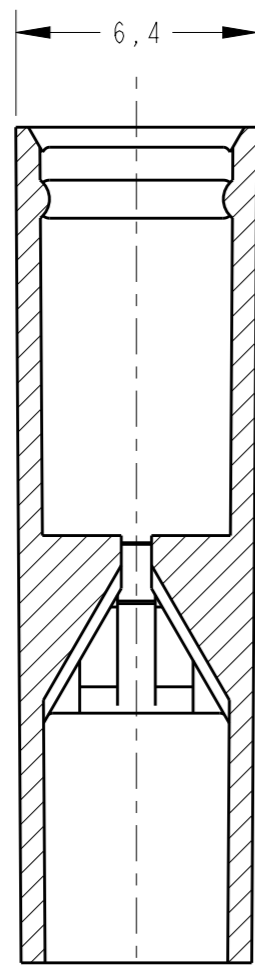
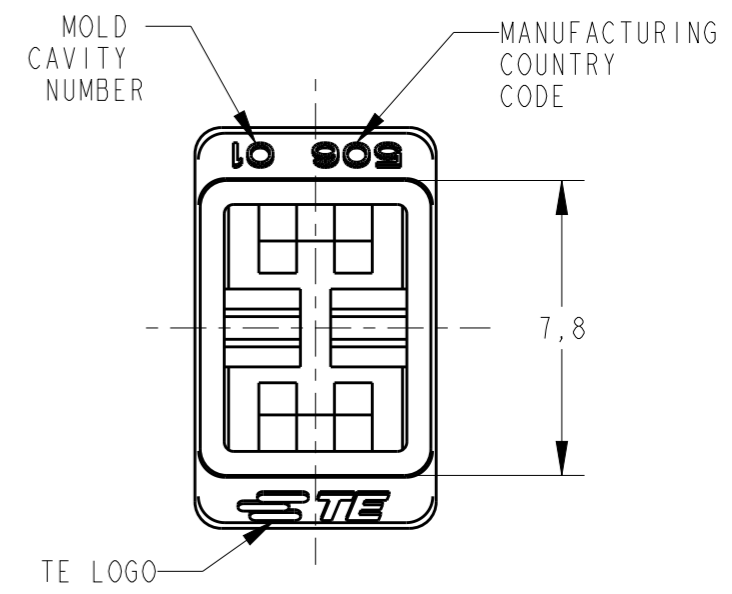
THIS DRAWING IS UNPUBLISHED. RELEASED FOR PUBLICATION 20  
© COPYRIGHT 20 BY - ALL RIGHTS RESERVED.

LOC AP DIST -

REVISIONS					
P	LTR	DESCRIPTION	DATE	DWN	APVD
	CI	REV. BY ECO 14-010611	30JUL2014	HC	WLS



SECTION A-A



SECTION B-B

BLACK	PA 6.6	881339-3
NATURAL	PA6.6 V-0 OR PA6.6+PA6 V-0	881339-2
NATURAL	PA 6.6	881339-1
FINISH	MATERIAL	PART NUMBER

THIS DRAWING IS A CONTROLLED DOCUMENT.		DWN H. CANTERI 30JUL2014	<b>STE</b> TE Connectivity	
		CHK W.L. STEFANI 30JUL2014		
DIMENSIONS: mm	TOLERANCES UNLESS OTHERWISE SPECIFIED:	APVD -	NAME SLEEVE FOR 6,35(.250)FASTON TAB	
	0 PLC ±-	PRODUCT SPEC -	-	
	1 PLC ±0,3	APPLICATION SPEC -	SIZE A3	CAGE CODE -
	2 PLC ±-	WEIGHT -	DRAWING NO C-881339	RESTRICTED TO -
	3 PLC ±-		SCALE 5:1	SHEET 1 OF 1
	4 PLC ±-			REV CI
	ANGLES ±1°			
MATERIAL -	FINISH -	Customer Drawing		