



Chipsmall Limited consists of a professional team with an average of over 10 year of expertise in the distribution of electronic components. Based in Hongkong, we have already established firm and mutual-benefit business relationships with customers from,Europe,America and south Asia,supplying obsolete and hard-to-find components to meet their specific needs.

With the principle of “Quality Parts,Customers Priority,Honest Operation,and Considerate Service”,our business mainly focus on the distribution of electronic components. Line cards we deal with include Microchip,ALPS,ROHM,Xilinx,Pulse,ON,Everlight and Freescale. Main products comprise IC,Modules,Potentiometer,IC Socket,Relay,Connector.Our parts cover such applications as commercial,industrial, and automotives areas.

We are looking forward to setting up business relationship with you and hope to provide you with the best service and solution. Let us make a better world for our industry!



## Contact us

Tel: +86-755-8981 8866 Fax: +86-755-8427 6832

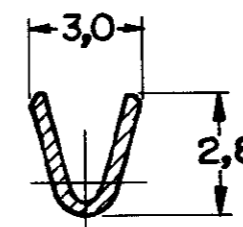
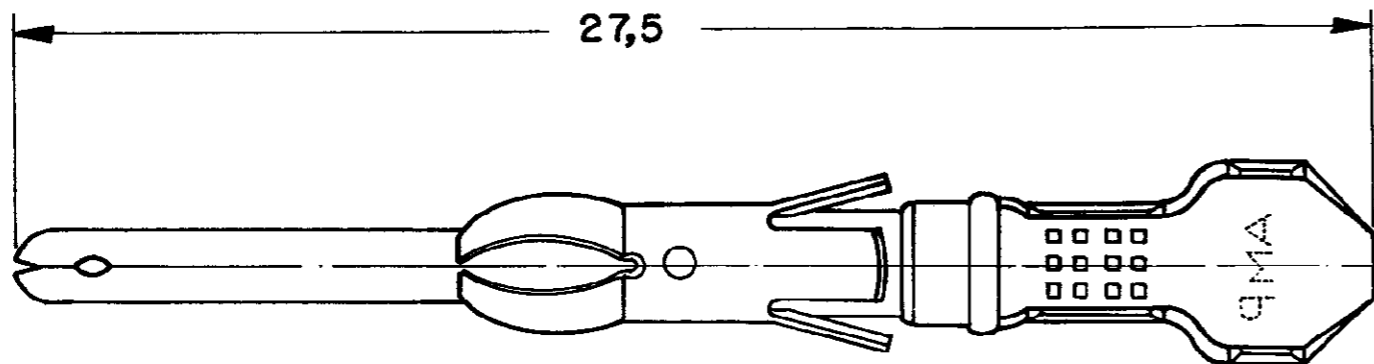
Email & Skype: info@chipsmall.com Web: www.chipsmall.com

Address: A1208, Overseas Decoration Building, #122 Zhenhua RD., Futian, Shenzhen, China

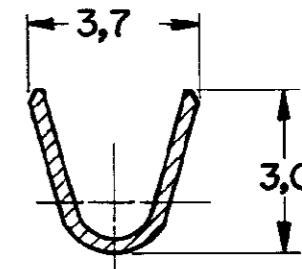


C881459

DWG NO.		DO NOT SCALE		<b>METRIC</b>		3rd ANGLE PROJECTION	
		DIMENSIONS IN mm.					
REQ. PER ASSY	ITEM	DESCRIPTION	MATERIAL	FINISH			

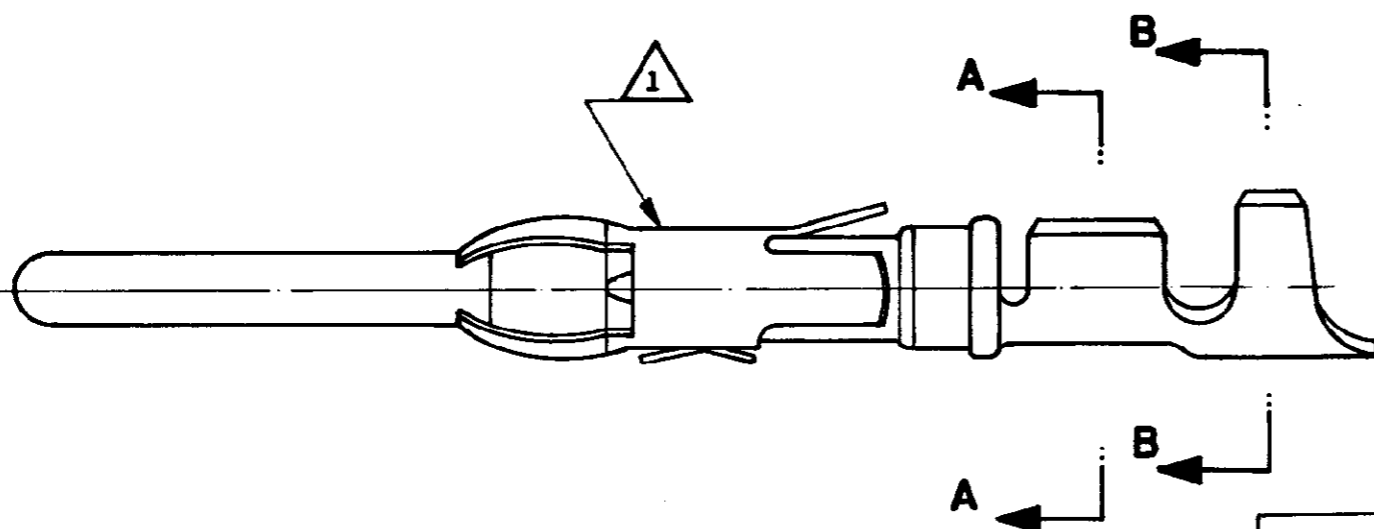


SECÇÃO A-A  
SECTION



SECÇÃO B-B  
SECTION

- ① - MOLA DE AÇO INOX.  
SPRING, STAINLESS STEEL
- ② - INSUL. DIA. RANGE = 2,0 - 2,5 mm (.080 - .100)
- ③ - WIRE RANGE = 0,75 - 1,50 mm<sup>2</sup> (18 - 16 AWG)



163081-2	DOURADO (SEL. GOLD)	LATÃO (BRASS)	881459-2
1-163081-2	PRÉ ESTANHADO (PRE-TIN)	LATÃO (BRASS)	881459-1
MAKE FROM (STRIP)	FINISH	MATERIAL	PART NUMBER
<b>CUSTOMER DWG</b> for REFERENCE ONLY		THIS DRAWING IS UNPUBLISHED RELEASED FOR PUBLICATION	
		© COPYRIGHT 19 BY AMP DO BRASIL LTDA S.P. ALL INTERNATIONAL RIGHTS RESERVED AMP PRODUCTS MAY BE COVERED BY U.S. AND FOREIGN PATENTS AND/OR PATENTS PENDING.	
		TOLERANCES UNLESS OTHERWISE STATED DEC. ± 0,3 ANGLES ± 1°	INS. DIA. RANGE WIRE RANGE SCALE
		DR. D. A. ROCHA 26-Apr-93	<b>AMP</b> AMP do BRASIL LTDA. São Paulo, Brasil
		CHK. [Signature]	DESCRIPTION <b>PIN TYPE III+ 1,6 DIA. TERMINAL (LOOSE PIECE)</b>
A REDESENHADO (REDRAWN)	068-93 Dori	26-Apr-93	DE.
O ERA (WAS) P87-29107			
ISS	RE. SON	RECORD	ECN
	DR	CHK	DATE
	APP.	[Signature]	20Apr93
A3	DWG NO	C 881459	SHEET 1 OF 1