



Chipsmall Limited consists of a professional team with an average of over 10 year of expertise in the distribution of electronic components. Based in Hongkong, we have already established firm and mutual-benefit business relationships with customers from,Europe,America and south Asia,supplying obsolete and hard-to-find components to meet their specific needs.

With the principle of “Quality Parts,Customers Priority,Honest Operation,and Considerate Service”,our business mainly focus on the distribution of electronic components. Line cards we deal with include Microchip,ALPS,ROHM,Xilinx,Pulse,ON,Everlight and Freescale. Main products comprise IC,Modules,Potentiometer,IC Socket,Relay,Connector.Our parts cover such applications as commercial,industrial, and automotives areas.

We are looking forward to setting up business relationship with you and hope to provide you with the best service and solution. Let us make a better world for our industry!



Contact us

Tel: +86-755-8981 8866 Fax: +86-755-8427 6832

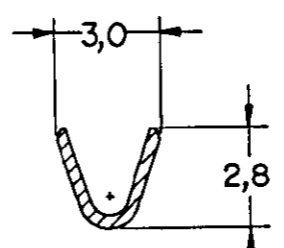
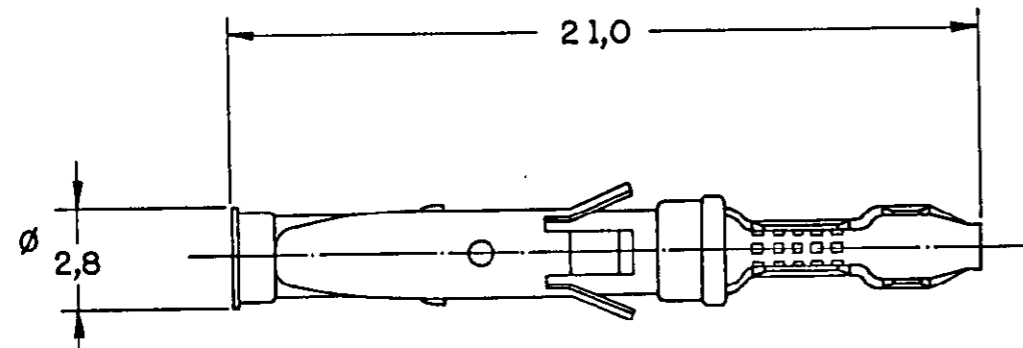
Email & Skype: info@chipsmall.com Web: www.chipsmall.com

Address: A1208, Overseas Decoration Building, #122 Zhenhua RD., Futian, Shenzhen, China

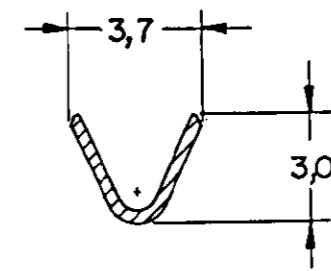


C 881460 1 of 1

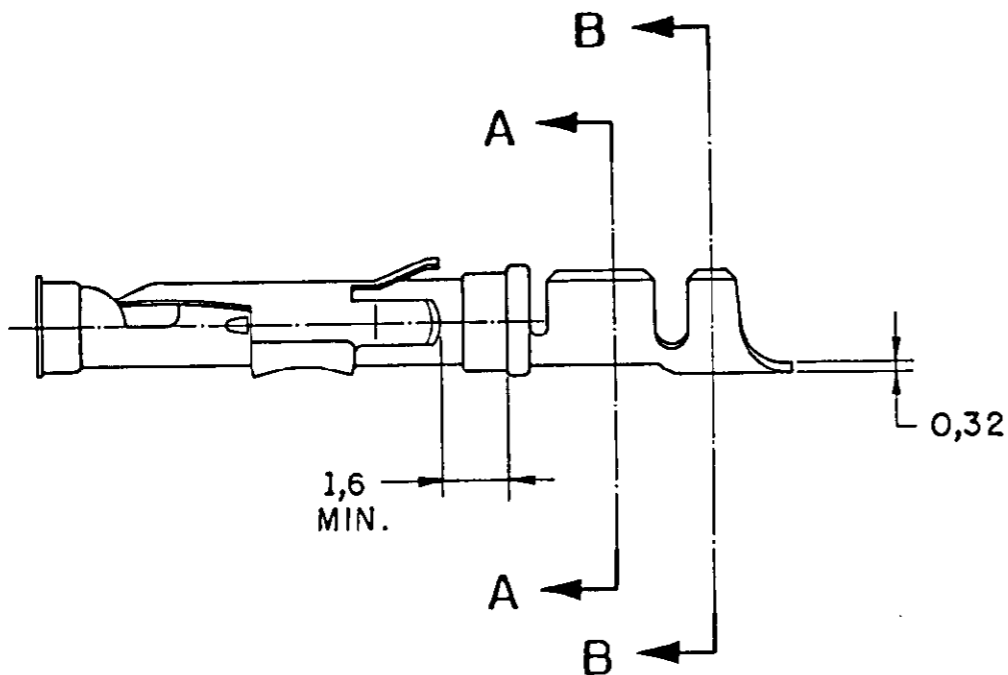
DWG NO.		DO NOT SCALE		METRIC	3rd ANGLE PROJECTION
REQ. PER ASSY		DIMENSIONS IN mm.			
ITEM	DESCRIPTION	MATERIAL	FINISH		



CORTE A-A
SECTION



CORTE B-B
SECTION



1 - MESMO QUE 163084, EXCETO PELA NÃO EXISTÊNCIA DA IDENTIFICAÇÃO DE CORES.
 - SAME AS 163084, BUT WITHOUT COLOUR IDENTIFICATION.

	OURO SELET./SEL. GOLD			-2
	ESTANHADO/TIN	LATÃO / BRASS	881460	-1
	FINISH	MATERIAL	PART NUMBER	
CUSTOMER DWG for REFERENCE ONLY		THIS DRAWING IS UNPUBLISHED RELEASED FOR PUBLICATION		
		© COPYRIGHT 1995 BY AMP DO BRASIL LTDA S.P. ALL INTERNATIONAL RIGHTS RESERVED AMP PRODUCTS MAY BE COVERED BY U.S. AND FOREIGN PATENTS AND/OR PATENTS PENDING.		
		TOLERANCES UNLESS OTHERWISE STATED DEC. ± 0,3 ANGLES ± 1°	INS. DIA. RANGE 2,0 - 2,5 mm	WIRE RANGE 0,75 - 1,50mm ²
		DR. N. C. LAPRESA 07 - AUG. - 95	AMP AMP do BRASIL LTDA. São Paulo, Brasil	
		CHK. 10-AUG-95 J.R. FOLGOSCHMIDT DE. 11-AUG-95 Semello	DESCRIPTION SOCKET TYPE III CONTACT SIZE 16	
A	REDESENHADO S/ MODIF.	363-95 NCL 7/10/95	A3	DWG NO. C 881460
ISS	REVISION RECORD	ECN DR CHK	DATE	SHEET 1 OF 1