



Chipsmall Limited consists of a professional team with an average of over 10 year of expertise in the distribution of electronic components. Based in Hongkong, we have already established firm and mutual-benefit business relationships with customers from,Europe,America and south Asia,supplying obsolete and hard-to-find components to meet their specific needs.

With the principle of “Quality Parts,Customers Priority,Honest Operation,and Considerate Service”,our business mainly focus on the distribution of electronic components. Line cards we deal with include Microchip,ALPS,ROHM,Xilinx,Pulse,ON,Everlight and Freescale. Main products comprise IC,Modules,Potentiometer,IC Socket,Relay,Connector.Our parts cover such applications as commercial,industrial, and automotives areas.

We are looking forward to setting up business relationship with you and hope to provide you with the best service and solution. Let us make a better world for our industry!



Contact us

Tel: +86-755-8981 8866 Fax: +86-755-8427 6832

Email & Skype: info@chipsmall.com Web: www.chipsmall.com

Address: A1208, Overseas Decoration Building, #122 Zhenhua RD., Futian, Shenzhen, China



C 881463 1-1

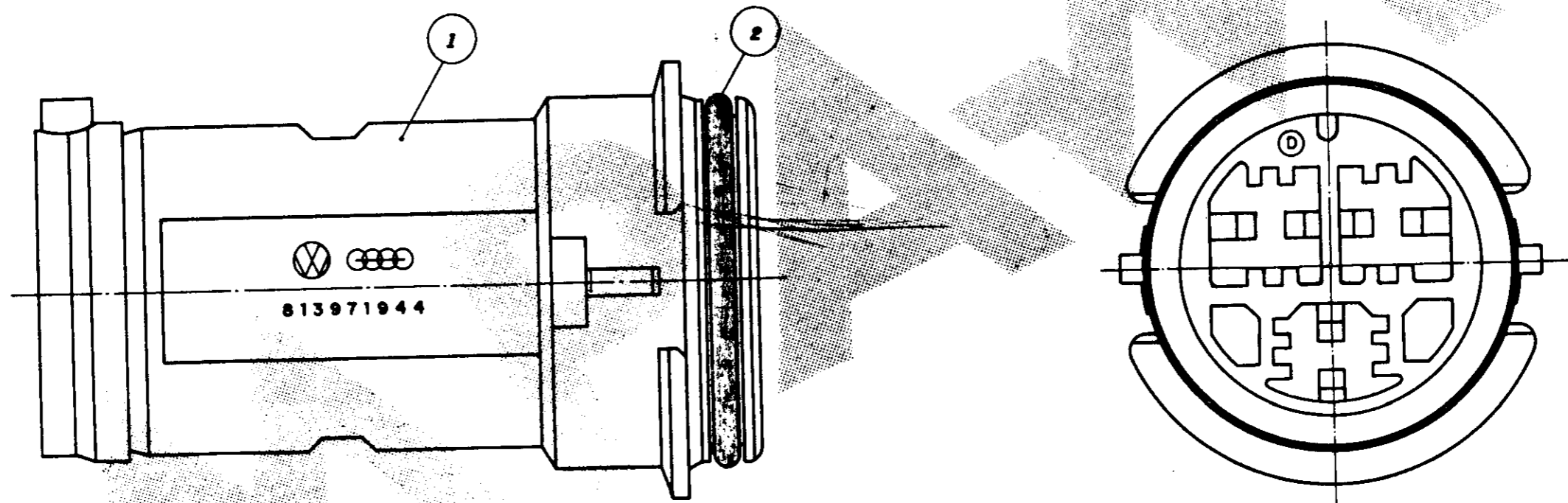
881463

DO NOT SCALE

METRIC

3rd ANGLE PROJECTION

PN° VW	REQUIRED PER ASS'Y							ITEM N°	DESCRIÇÃO	MATERIAL	ACABAMENTO
	-8	-7	-6	-5	-4	-3	-2				
813 971 944	-	-	-	-	-	-	-	1	HOUSING FASTIN-ON TAB .250 3WAY	POLIAMIDA 6.6	PRETO MARRON VERMELHO AMARELO AZUL BRANCO VERDE CINZA
813 971 944 - 6	1	-	-	-	-	-	-	2	O' RING	NEOPRENE/NITRILICA	PRETO



OTHER TREATMENT	FINISH	MATERIAL	PART NUMBER
CUSTOMER DWG for REFERENCE ONLY		THIS DRAWING IS UNPUBLISHED RELEASED FOR PUBLICATION © COPYRIGHT 1986 BY AMP DO BRASIL LTDA S.P. ALL INTERNATIONAL RIGHTS RESERVED AMP PRODUCTS MAY BE COVERED BY U.S. AND FOREIGN PATENTS AND/OR PATENTS PENDING.	
TOLERANCES UNLESS OTHERWISE STATED DEC. ± 0,3 ANGLES ± 1°		INS. DIA. RANGE	WIRE RANGE
D REMOVIDO ALIVIO EC 08/9/94 Briz JR JF 20-MAR-94		AMP do BRASIL LTDA. São Paulo, Brasil	
C ADICIONADO NITRILICA 08-10-92		DESCRIPTION ASS'Y FASTIN-ON TAB 3 WAY	
B REVISADO 14-1-88		A3 DWG NO C 881463 SHEET 1 of 1	
A ERA P86-29076 03-2-88			
REVISION	RECORD	DR	CHK DATE APP.