



Chipsmall Limited consists of a professional team with an average of over 10 year of expertise in the distribution of electronic components. Based in Hongkong, we have already established firm and mutual-benefit business relationships with customers from,Europe,America and south Asia,supplying obsolete and hard-to-find components to meet their specific needs.

With the principle of “Quality Parts,Customers Priority,Honest Operation,and Considerate Service”,our business mainly focus on the distribution of electronic components. Line cards we deal with include Microchip,ALPS,ROHM,Xilinx,Pulse,ON,Everlight and Freescale. Main products comprise IC,Modules,Potentiometer,IC Socket,Relay,Connector.Our parts cover such applications as commercial,industrial, and automotives areas.

We are looking forward to setting up business relationship with you and hope to provide you with the best service and solution. Let us make a better world for our industry!



Contact us

Tel: +86-755-8981 8866 Fax: +86-755-8427 6832

Email & Skype: info@chipsmall.com Web: www.chipsmall.com

Address: A1208, Overseas Decoration Building, #122 Zhenhua RD., Futian, Shenzhen, China

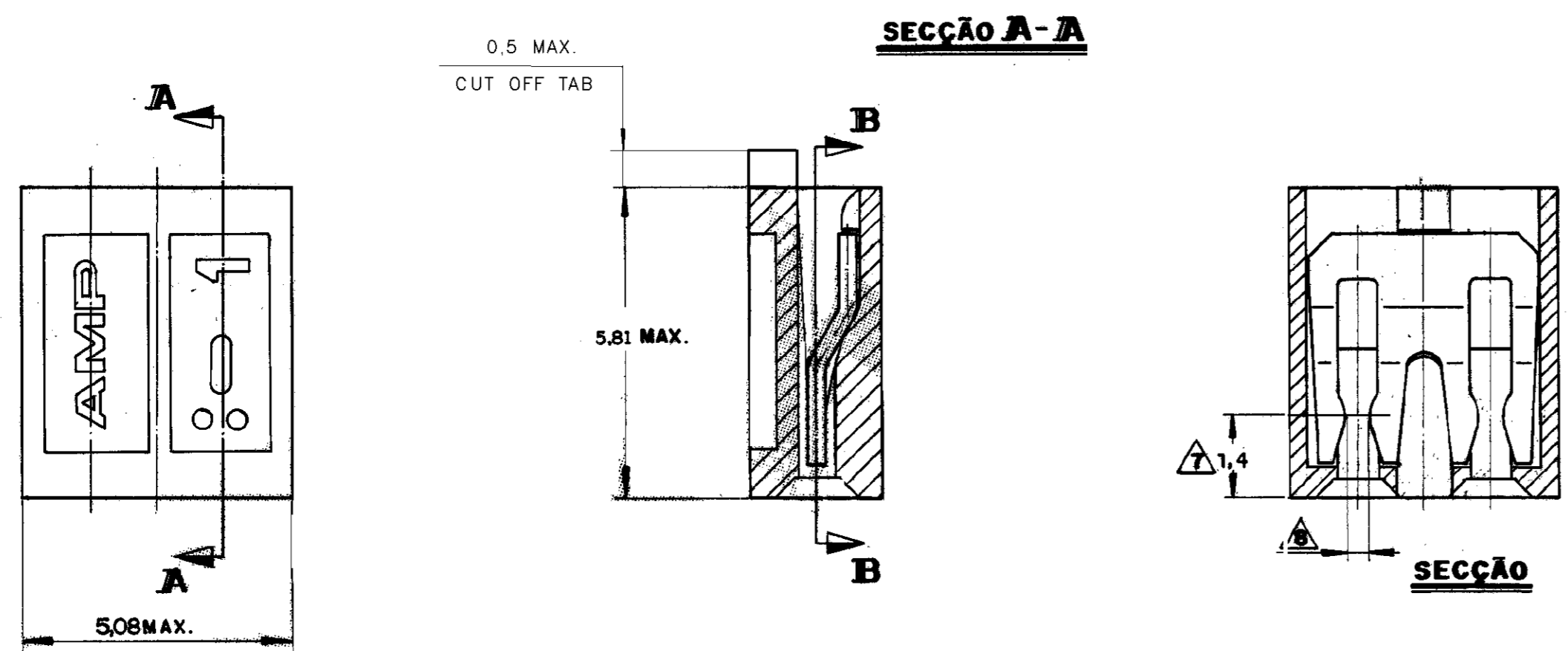


C 881545

DO NOT SCALE
DIMENSIONS IN mm.

METRIC

3rd ANGLE PROJECTION



OBSOLETE 13	6	2	8
	6	2	7
	4	2	6
	3	2	881545-5
OBSOLETE 13	6	1	8
	5	1	7
	4	1	6
	3	1	5
OBSOLETE 13	6	1	4
	5	1	3
	4	1	2
	3	1	881545-1

OTHER TREATMENT	FINISH	MATERIAL	PART NUMBER
CUSTOMER DWG for REFERENCE ONLY			
THIS DRAWING IS UNPUBLISHED RELEASED FOR PUBLICATION			
TOLERANCES UNLESS OTHERWISE STATED: DEC. ±0.5 ANGLES ±1°		INS. DIA. RANGE	WIRE RANGE
DR. <i>[Signature]</i> 11-09-88		STE TE Connectivity	
CHK. <i>[Signature]</i> 08-11-88		DESCRIPTION AMP SHUNT	
DE. <i>[Signature]</i>		DESCRIPTION LOW PROFILE CONNECTOR ASS'Y	
ISS. REVISION RECORD		DWG NO. A2	REV. SHEET K3 2 OF 2
DR.	CHK.	DATE	APP. <i>[Signature]</i> 29/10/88