



Chipsmall Limited consists of a professional team with an average of over 10 year of expertise in the distribution of electronic components. Based in Hongkong, we have already established firm and mutual-benefit business relationships with customers from,Europe,America and south Asia,supplying obsolete and hard-to-find components to meet their specific needs.

With the principle of “Quality Parts,Customers Priority,Honest Operation,and Considerate Service”,our business mainly focus on the distribution of electronic components. Line cards we deal with include Microchip,ALPS,ROHM,Xilinx,Pulse,ON,Everlight and Freescale. Main products comprise IC,Modules,Potentiometer,IC Socket,Relay,Connector.Our parts cover such applications as commercial,industrial, and automotives areas.

We are looking forward to setting up business relationship with you and hope to provide you with the best service and solution. Let us make a better world for our industry!



Contact us

Tel: +86-755-8981 8866 Fax: +86-755-8427 6832

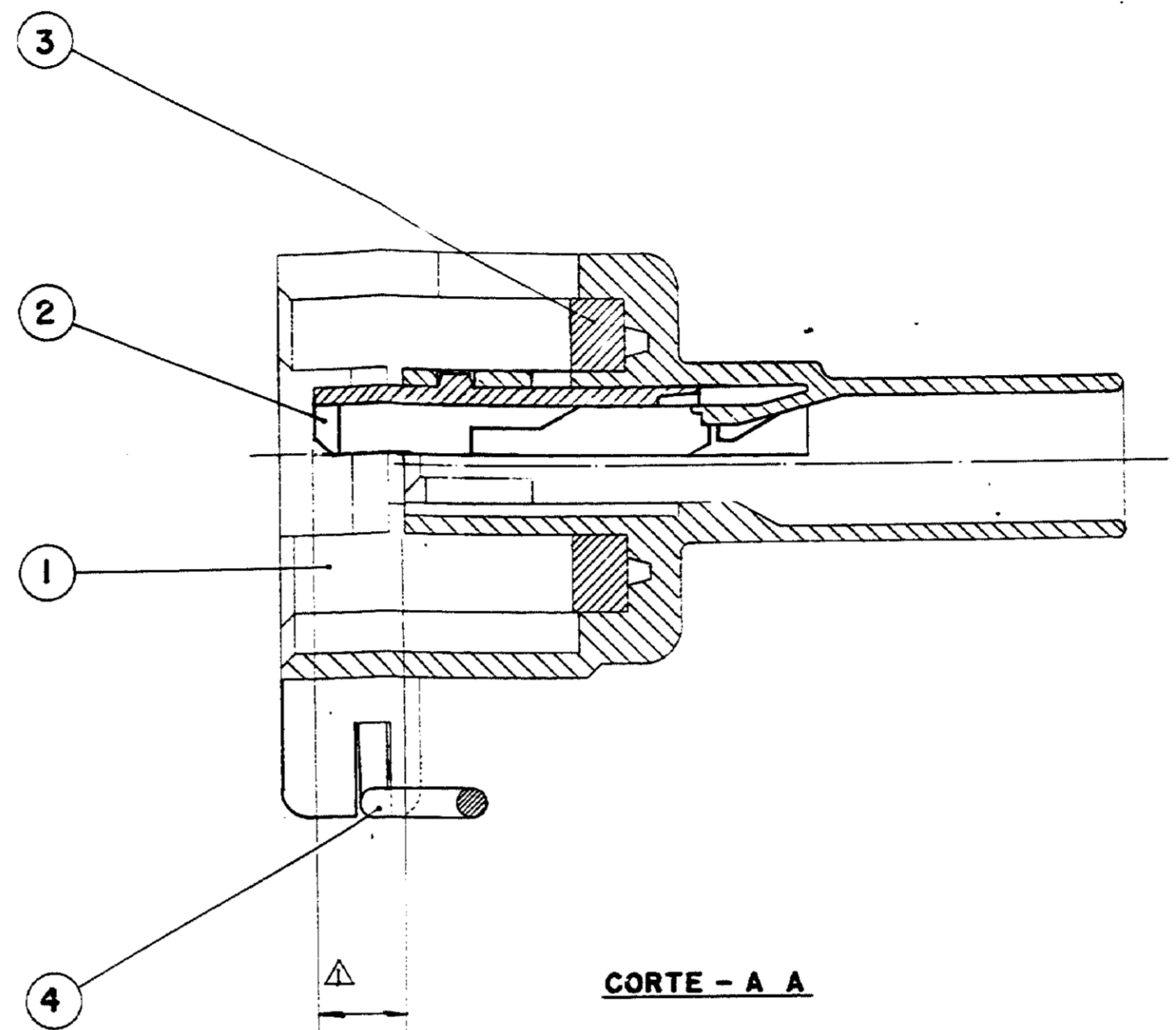
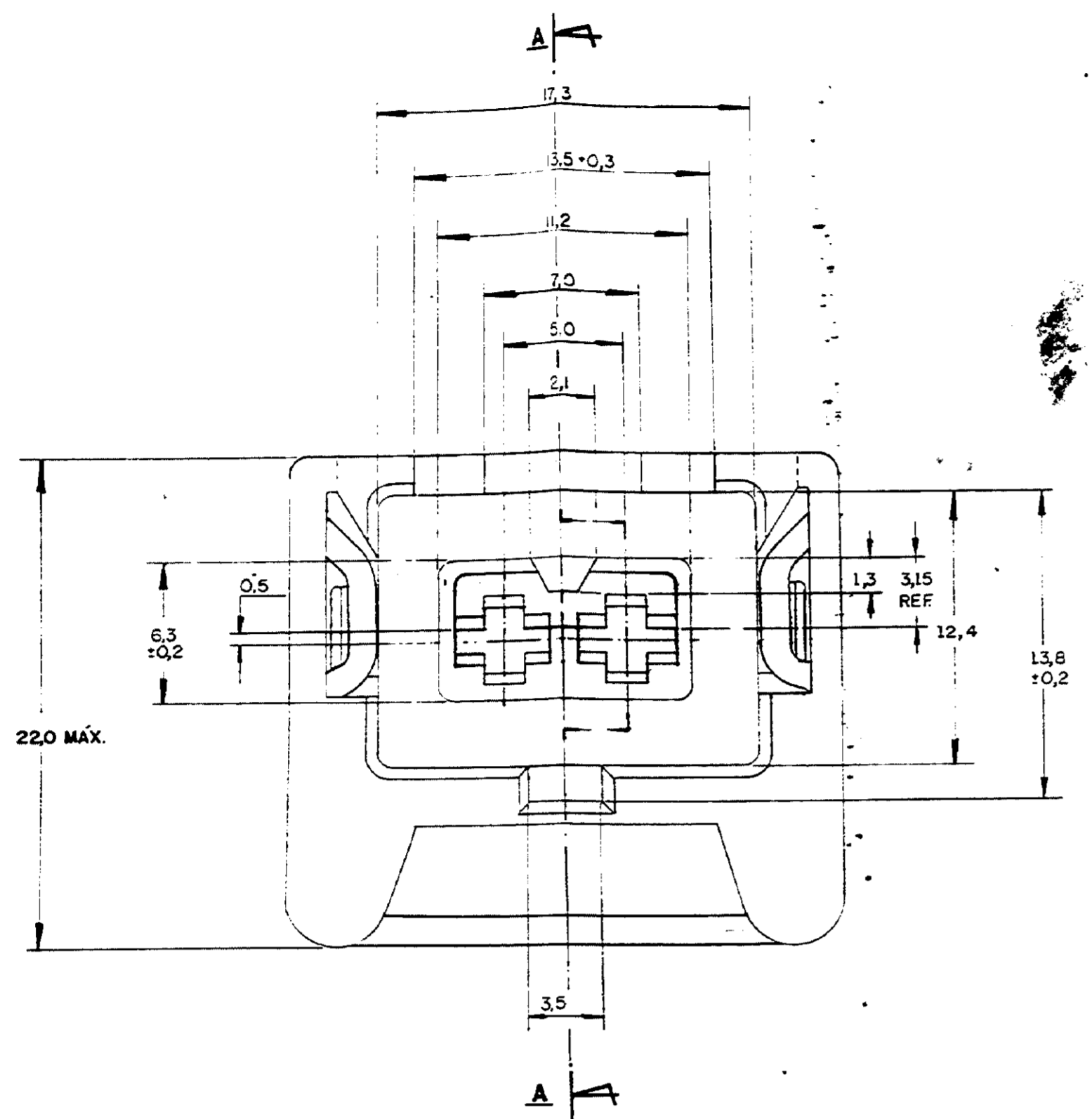
Email & Skype: info@chipsmall.com Web: www.chipsmall.com

Address: A1208, Overseas Decoration Building, #122 Zhenhua RD., Futian, Shenzhen, China

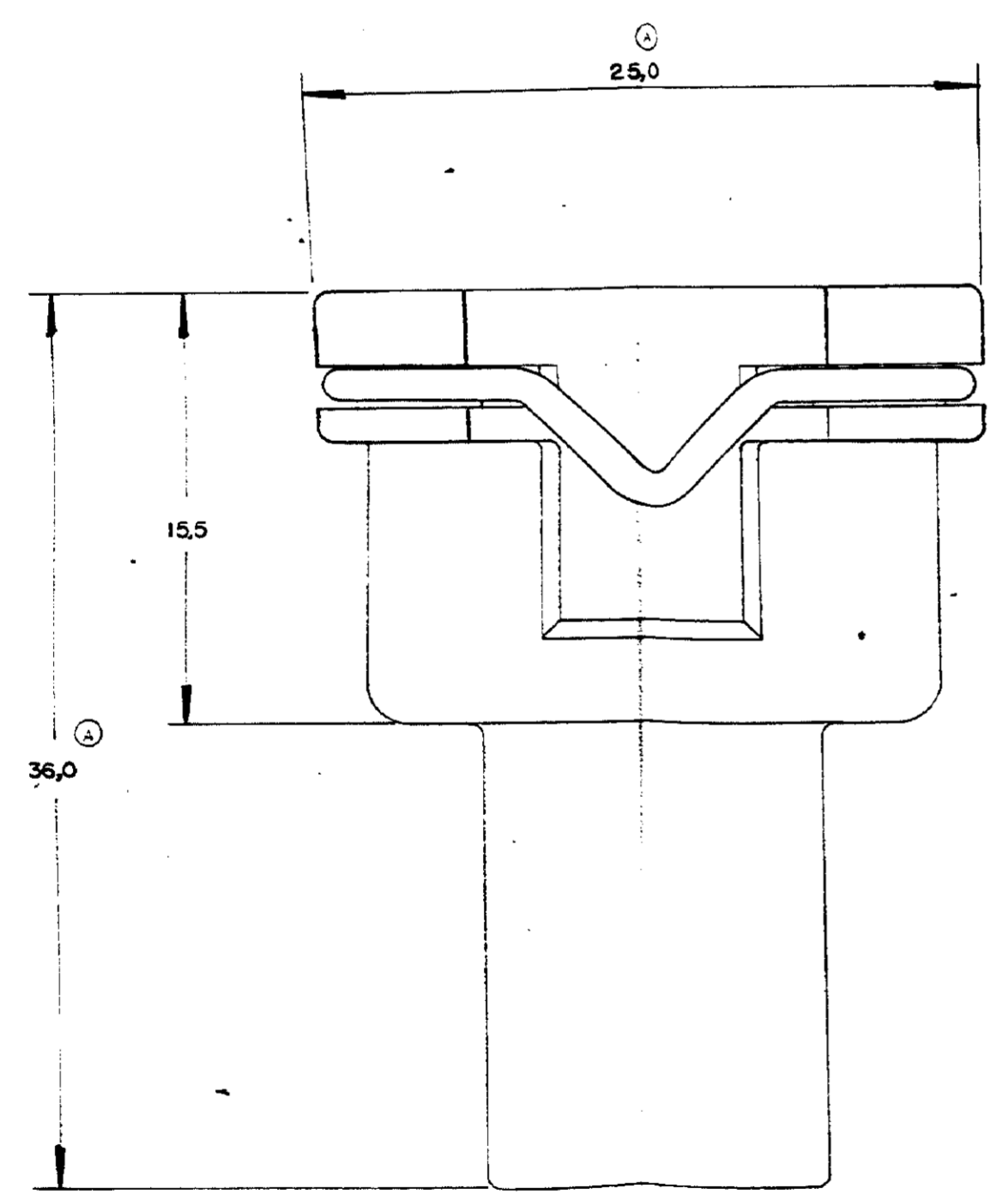


881735

8 8 1 7 3 5		DO NOT SCALE		METRIC		3rd ANGLE PROJECTION	
		DIMENSIONS IN mm					
REQ PER ASSY	ITEM No	DESCRIPTION	MATERIAL		FINISH		
- 1	1	HSG JR. POWER TIMER	PBT + 30% EA		PRETO		
1	1	HSG JR. POWER TIMER	PBT + 30% F.V.		MARROM		
1	2	SPACER	PBT.		AMARELO		
1	3	RUBBER SEAL	SILICONE		LARANJA		
1	4	SPRING	ARAME DIN 2076 #1,25				



CORTE - A A



NOTAS:

- 1 - OS ITENS 1 E 2 DEVERÃO RESPEITAR A POSIÇÃO DE PRÉ-MONTAGEM, COMO SERÃO FORNECIDOS.
- 2 - GRAVAÇÕES QUE DEVERÃO CONSTAR:
 MARCA REGISTRADA AUTOLATINA.
 MARCA REGISTRADA AMP.
 "PART NUMBER" AUTOLATINA.
 "PART NUMBER" AMP.
 CÓDIGO DO PAÍS PRODUTOR.
 NÚMERO DE CIRCUITO.
 NÚMERO DE CAVIDADE.
 PAÍS PRODUTOR.
- 3 - CAVIDADE PARA TERMINAL JR. POWER TIMER COM "WIRE SEAL".

This information is confidential and is disclosed to you on condition that you will not make it available to any other person without written authorization from AMP DO BRASIL - S.P.

PRINT DATE	
USED ON	

OTHER TREATMENT	FINISH	MATERIAL	PART NUMBER
CUSTOMER DWG for REFERENCE ONLY		TOLERANCES UNLESS OTHERWISE STATED - DEC ± 0,3 - ANGLES ± 1°	
FIRST USED		AMP do BRASIL LTDA. São Paulo, Brasil.	
DESCRIPTION		HSG ASSY, 2 POSN, JR POWER TIMER	
REV. NO.		DWG NO.	
1		A1 881735	
DATE		15 Jun 90	