



Chipsmall Limited consists of a professional team with an average of over 10 year of expertise in the distribution of electronic components. Based in Hongkong, we have already established firm and mutual-benefit business relationships with customers from,Europe,America and south Asia,supplying obsolete and hard-to-find components to meet their specific needs.

With the principle of “Quality Parts,Customers Priority,Honest Operation,and Considerate Service”,our business mainly focus on the distribution of electronic components. Line cards we deal with include Microchip,ALPS,ROHM,Xilinx,Pulse,ON,Everlight and Freescale. Main products comprise IC,Modules,Potentiometer,IC Socket,Relay,Connector.Our parts cover such applications as commercial,industrial, and automotives areas.

We are looking forward to setting up business relationship with you and hope to provide you with the best service and solution. Let us make a better world for our industry!



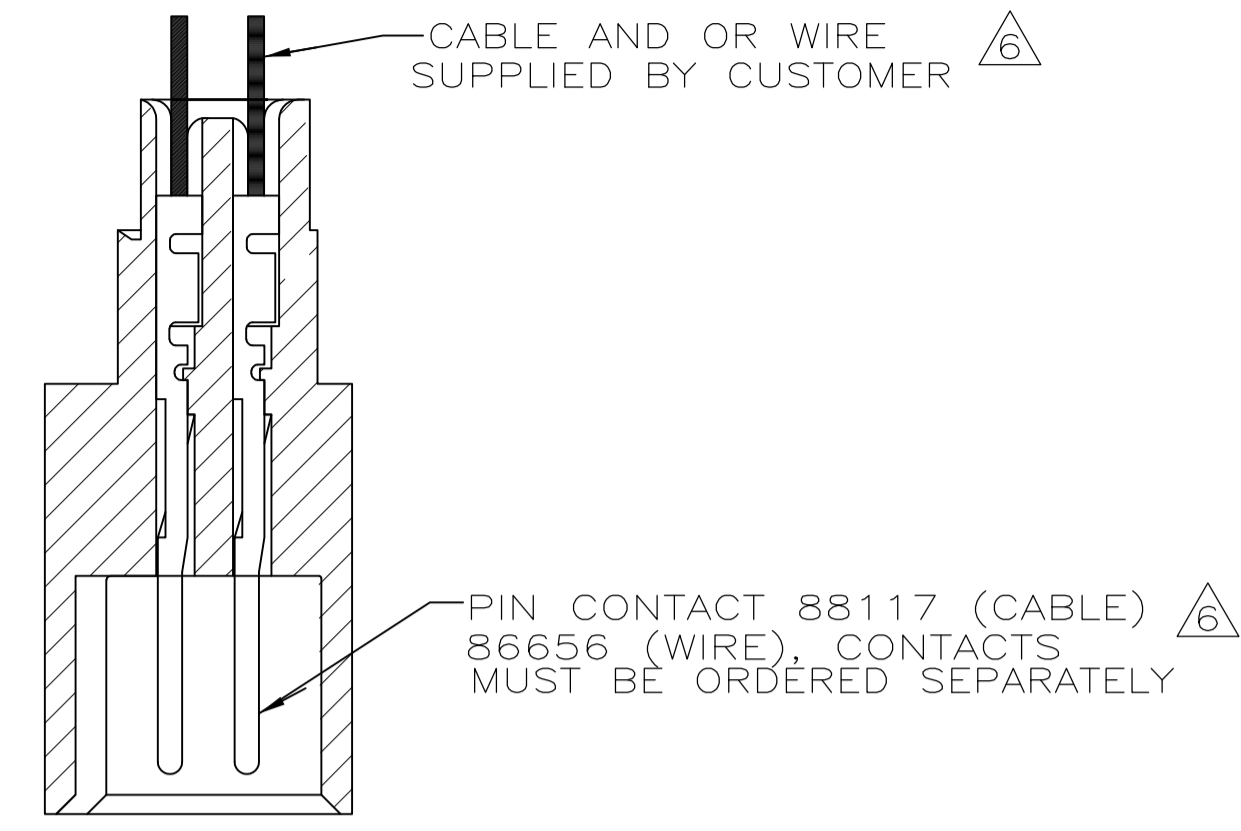
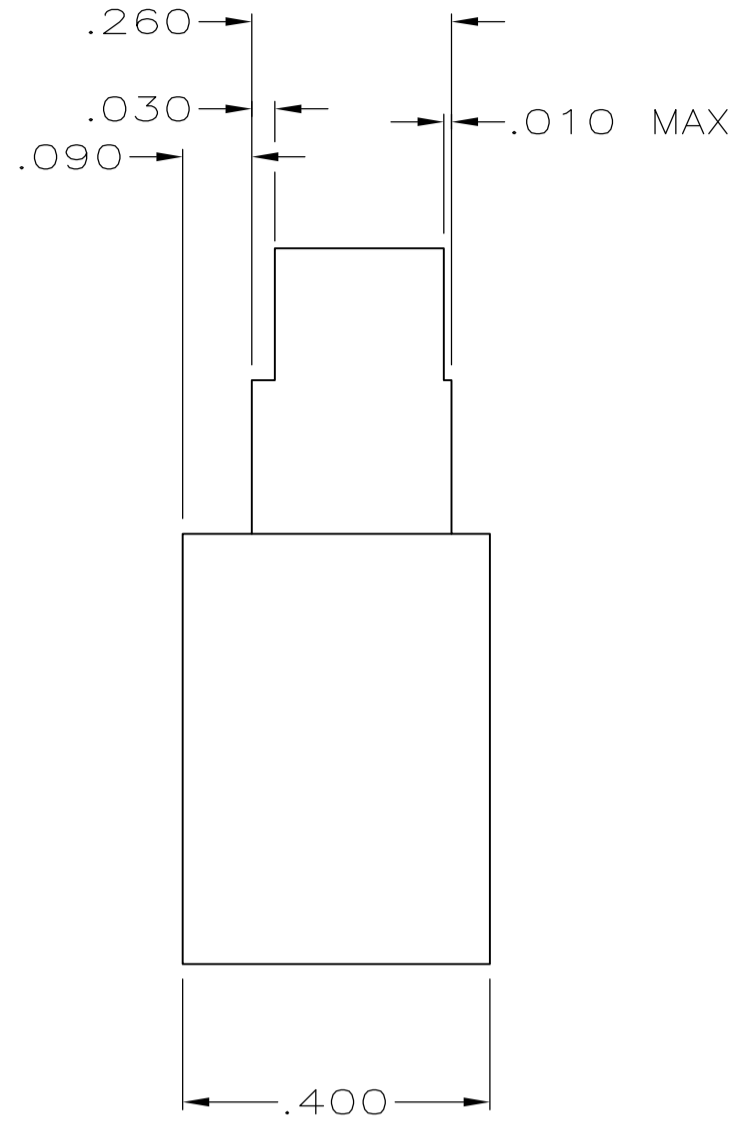
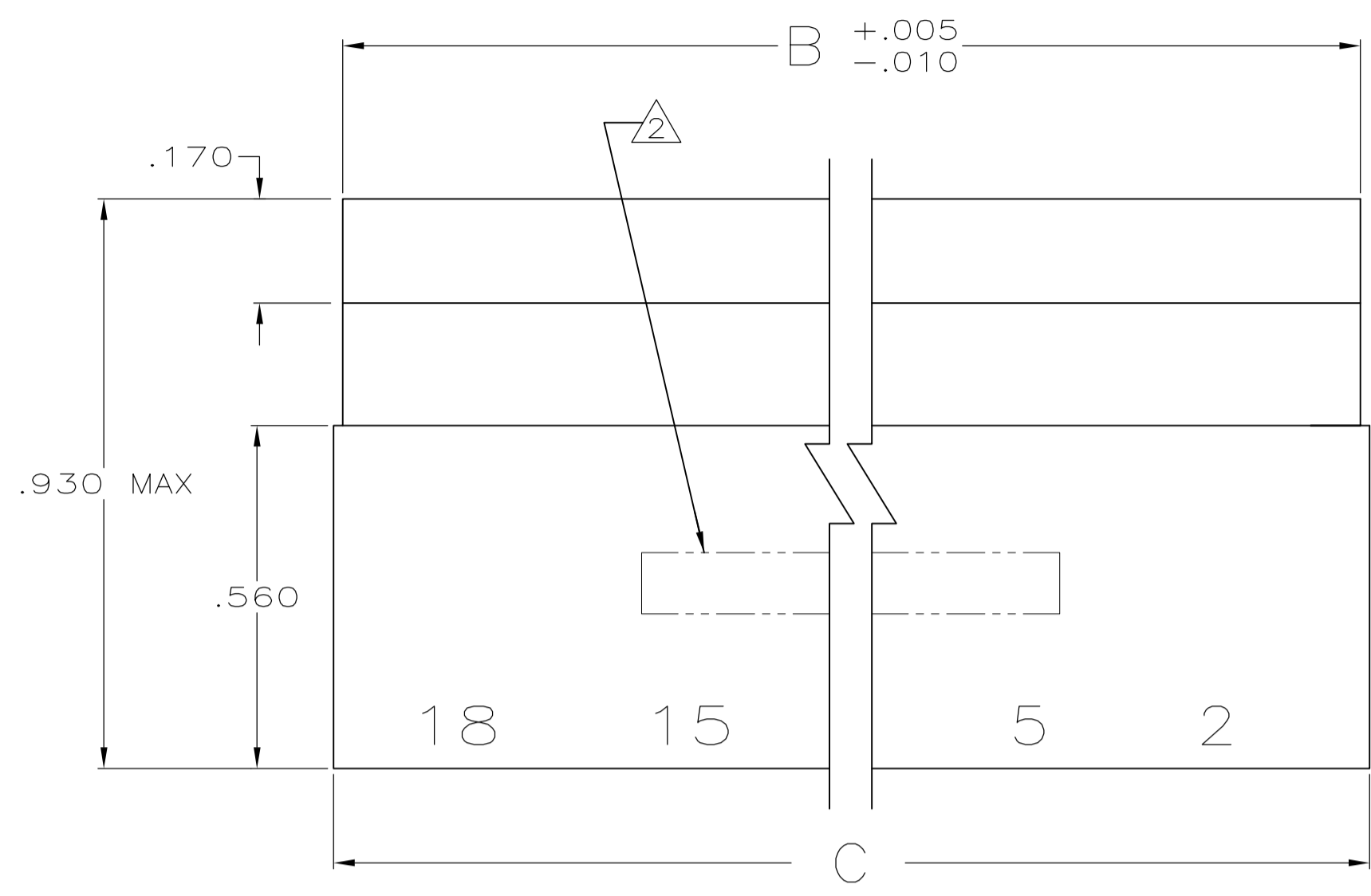
## Contact us

Tel: +86-755-8981 8866 Fax: +86-755-8427 6832

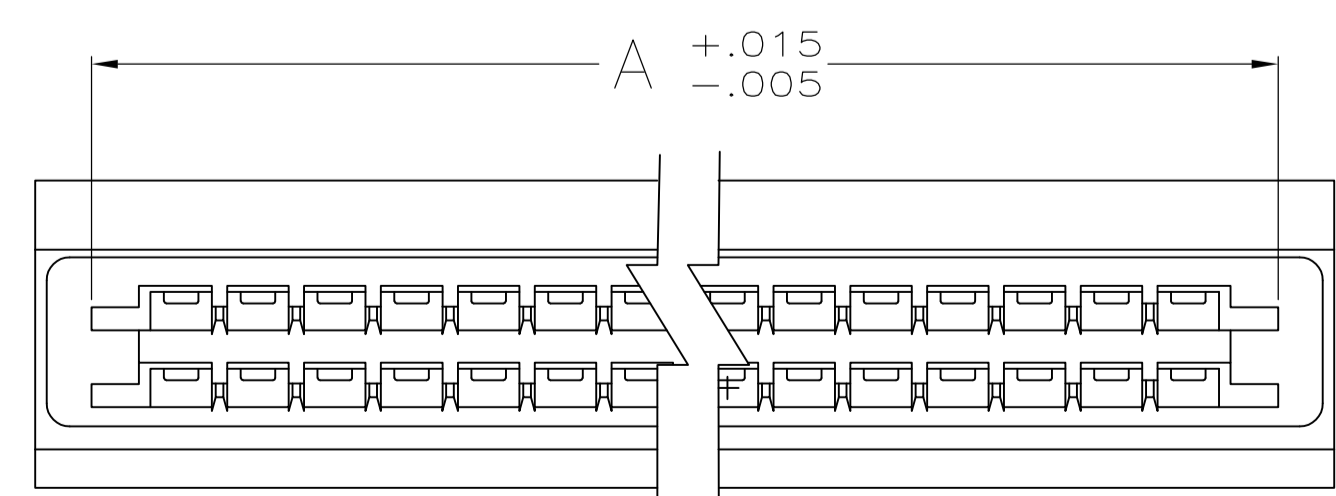
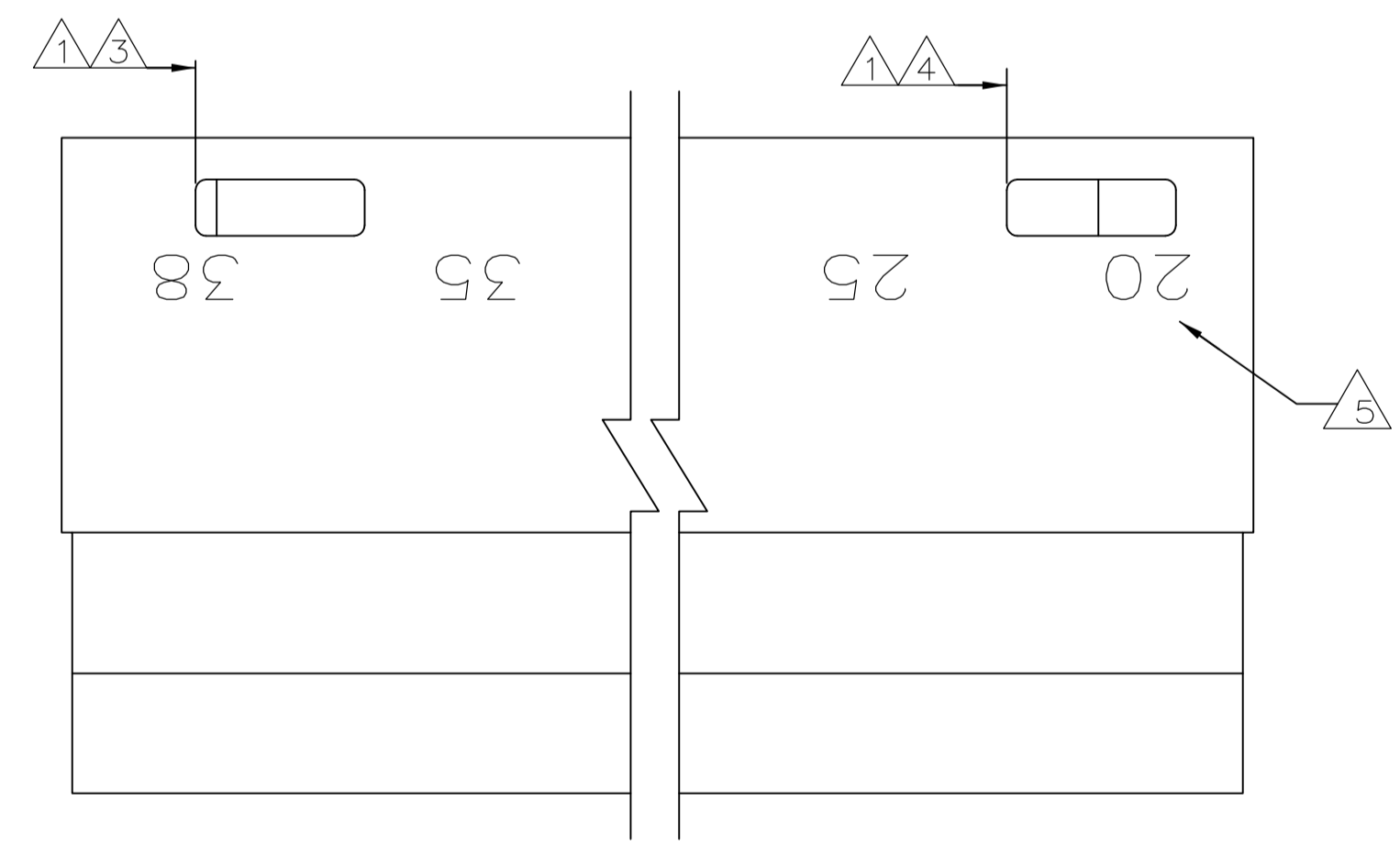
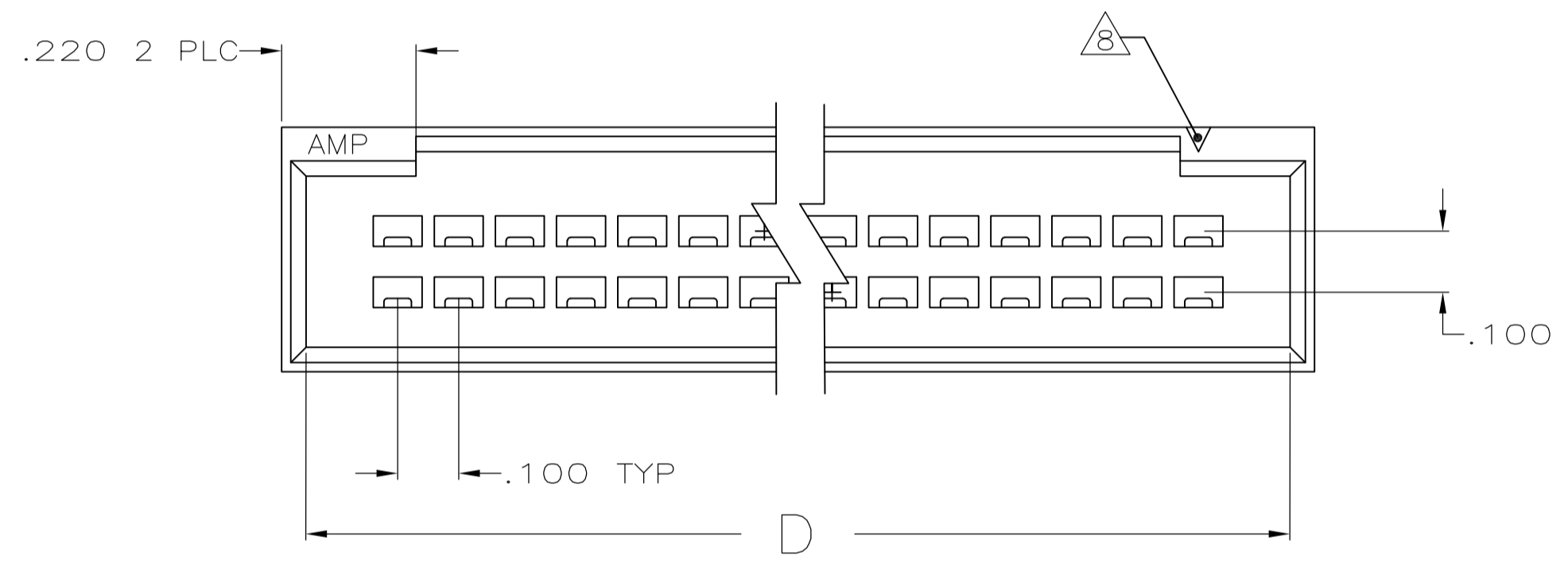
Email & Skype: info@chipsmall.com Web: www.chipsmall.com

Address: A1208, Overseas Decoration Building, #122 Zhenhua RD., Futian, Shenzhen, China





CRIMPED CONTACT SHOWN FOR REF ONLY



- 1 DETENT SLOTS 6,10,12,16 & 18 POSN ONE SLOT LOCATED AS FOLLOWS:  
6 POSN CENTERLINE OF FIRST CIRCUIT FROM LEFT  
10 AND 12 POSN CENTERLINE ON SECOND CIRCUIT FROM LEFT  
16 POSN CENTERLINE OF THIRD CIRCUIT FROM LEFT  
18 POSN CENTERLINE OF FORTH CIRCUIT FROM LEFT  
20 POSN AND GREATER TWO DETENT SLOTS LOCATED AS SHOWN
- 2 PART NO. AND DATE CODE INK STAMPED, WHITE.
- 3 CENTERLINE OF FIRST CAVITY FROM LEFT
- 4 CENTERLINE OF THIRD CAVITY FROM RIGHT
- 5 CAVITY IDENTS INK STAMPED (WHITE), IN AREA SHOWN (SEE TABLE)
- 6 HOUSING WILL ACCOMMODATE FLEXIBLE FLAT CABLE .050 OR .062 WIDE CONDUCTORS ON .100 CENTERS (CABLE=.015 MAX THK) AND #22-#24 AWG WIRE WITH INSULATION RANGE OF .061 TO .069 DIA
- 7 THIS HOUSING IS DESIGNED TO MATE WITH FFC RECEPTACLE HOUSING AND AMP LATCH RECEPTACLE HOUSING
- 8 INDICATES POSITION 1, MAY BE RECESSED OR RAISED.
- 9 OBSOLETE PART NUMBER
- 10 SUPERSEDED BY AS MOLDED PART NUMBER.
- 11 GLASS-FILLED NYLON, BLACK, UL V-0.
- 12 OBSOLETE PARTS: OBSOLETE CIS STREAMLINING PER D.RENAUD/D.SINISI

|           |                       |                         |       |       |       |       |    |           |
|-----------|-----------------------|-------------------------|-------|-------|-------|-------|----|-----------|
| 3-88189-7 | 2,6                   | 8,10,14                 | .900  | .980  | .950  | .834  | 14 | 3-88189-8 |
| 3-88189-5 | 2,5,10,16             | 18,25,30,34             | 1.900 | 1.980 | 1.950 | 1.834 | 34 | 3-88189-6 |
| 3-88189-3 | 2,5                   | 7,10,12                 | .800  | .880  | .850  | .734  | 12 | 3-88189-4 |
| 3-88189-1 | 2                     | 4,6                     | .500  | .580  | .550  | .434  | 6  | 3-88189-2 |
| 2-88189-9 | 2,4                   | 6,10                    | .700  | .780  | .750  | .634  | 10 | 3-88189-0 |
| 2-88189-7 | 2,5,10,15,20,25,30,34 | 36,40,45,50,55,60,65,70 | 3.700 | 3.780 | 3.750 | 3.634 | 70 | 2-88189-8 |
| 2-88189-5 | 2,5,10,15,20,25,32    | 34,40,45,50,55,60,66    | 3.500 | 3.580 | 3.550 | 3.434 | 66 | 2-88189-6 |
| 2-88189-3 | 2,5,10,15,20,25,29    | 31,35,40,45,50,55,60    | 3.200 | 3.280 | 3.250 | 3.134 | 60 | 2-88189-4 |
| 2-88189-1 | 2,5,10,15,20,25,28    | 30,35,40,45,50,55,58    | 3.100 | 3.180 | 3.150 | 3.034 | 58 | 2-88189-2 |
| 1-88189-9 | 2,5,10,15,20,24       | 26,30,35,40,45,50       | 2.700 | 2.780 | 2.750 | 2.634 | 50 | 2-88189-0 |
| 1-88189-7 | 2,5,10,15,21          | 23,25,30,35,40,44       | 2.400 | 2.480 | 2.450 | 2.334 | 44 | 1-88189-8 |
| 1-88189-5 | 2,5,10,15,19          | 21,25,30,35,40          | 2.200 | 2.280 | 2.250 | 2.134 | 40 | 1-88189-6 |
| 1-88189-3 | 2,5,10,17             | 19,25,30,36             | 2.000 | 2.080 | 2.050 | 1.934 | 36 | 1-88189-4 |
| 1-88189-1 | 2,5,10,13             | 15,20,25,28             | 1.600 | 1.680 | 1.650 | 1.534 | 28 | 1-88189-2 |
| 88189-9   | 2,5,12                | 14,20,26                | 1.500 | 1.580 | 1.550 | 1.434 | 26 | 1-88189-0 |
| 88189-7   | 2,5,11                | 13,20,24                | 1.400 | 1.480 | 1.450 | 1.334 | 24 | 88189-8   |
| 88189-5   | 2,5,9                 | 11,15,20                | 1.200 | 1.280 | 1.250 | 1.134 | 20 | 88189-6   |
| 88189-3   | 2,5,8                 | 10,15,18                | 1.100 | 1.180 | 1.150 | 1.034 | 18 | 88189-4   |
| 88189-1   | 2,5,10,15,18          | 20,25,30,35,38          | 2.100 | 2.180 | 2.150 | 2.034 | 38 | 88189-2   |

|                      |                            |          |   |   |   |   |            |                    |
|----------------------|----------------------------|----------|---|---|---|---|------------|--------------------|
| INK STAMPED PART NO. | NEAR SIDE                  | FAR SIDE | D | C | B | A | NO OF POSN | AS MOLDED PART NO. |
| 2 5                  | CAVITY POSN. NO. STAMPED 5 |          |   |   |   |   |            |                    |

THIS DRAWING IS A CONTROLLED DOCUMENT. DIMENSIONS: INCHES. TOLERANCES UNLESS OTHERWISE SPECIFIED: 0 PLC ± .005, 1 PLC ± .005, 2 PLC ± .005, 3 PLC ± .005, 4 PLC ± .005, ANGLES ± .005. MATERIAL: 11. FINISH: -. WEIGHT: -. SIZE: A1. CAGE CODE: 00779. DRAWING NO: 88189. RESTRICTED TO: CUSTOMER DRAWING. SCALE: 4:1. SHEET: 1 OF 1. REV: AE2.

**STE** TE Connectivity  
HOUSING, PIN, DBL ROW, W/DETENT SLOTS, .100