



Chipsmall Limited consists of a professional team with an average of over 10 year of expertise in the distribution of electronic components. Based in Hongkong, we have already established firm and mutual-benefit business relationships with customers from,Europe,America and south Asia,supplying obsolete and hard-to-find components to meet their specific needs.

With the principle of “Quality Parts,Customers Priority,Honest Operation,and Considerate Service”,our business mainly focus on the distribution of electronic components. Line cards we deal with include Microchip,ALPS,ROHM,Xilinx,Pulse,ON,Everlight and Freescale. Main products comprise IC,Modules,Potentiometer,IC Socket,Relay,Connector.Our parts cover such applications as commercial,industrial, and automotives areas.

We are looking forward to setting up business relationship with you and hope to provide you with the best service and solution. Let us make a better world for our industry!



## Contact us

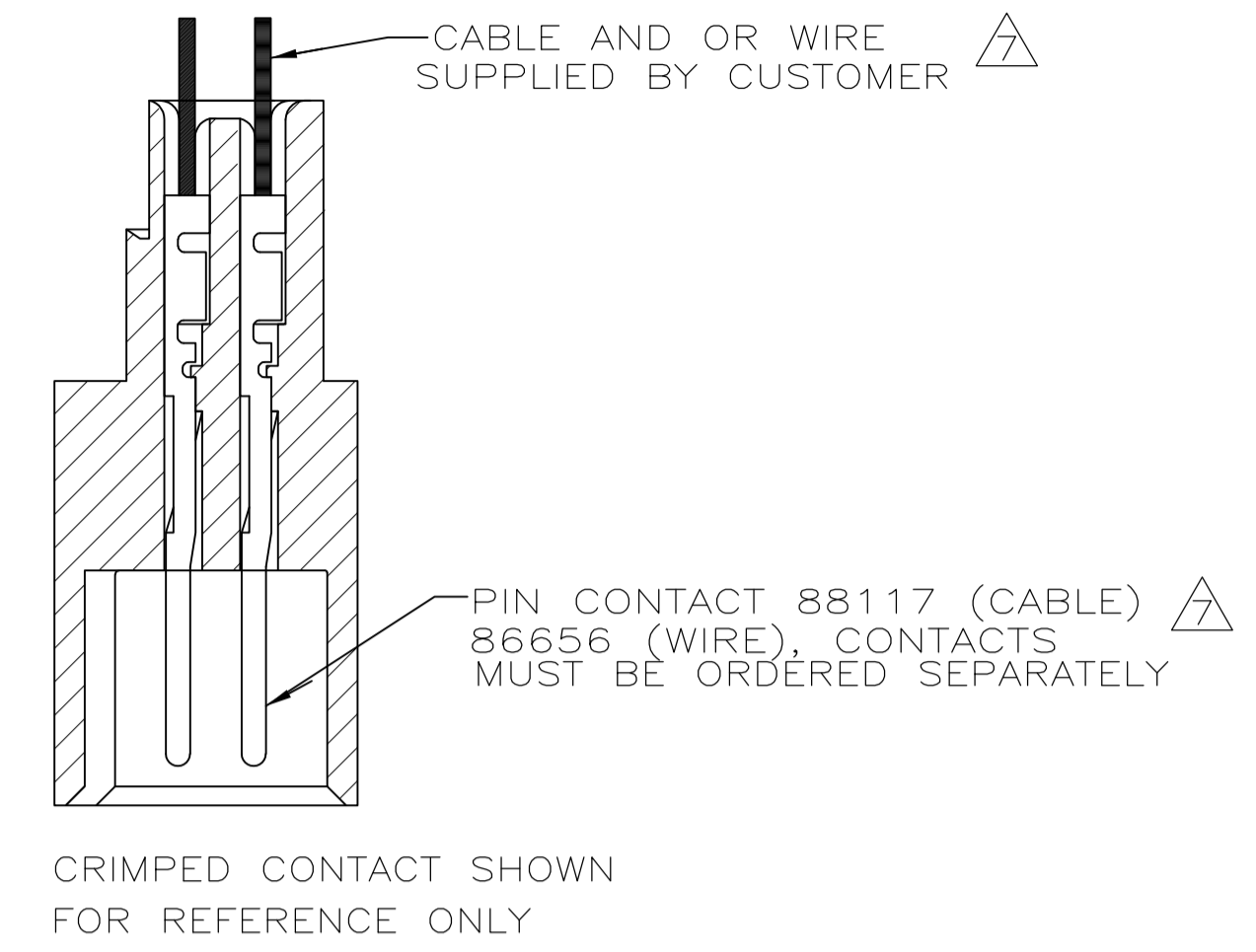
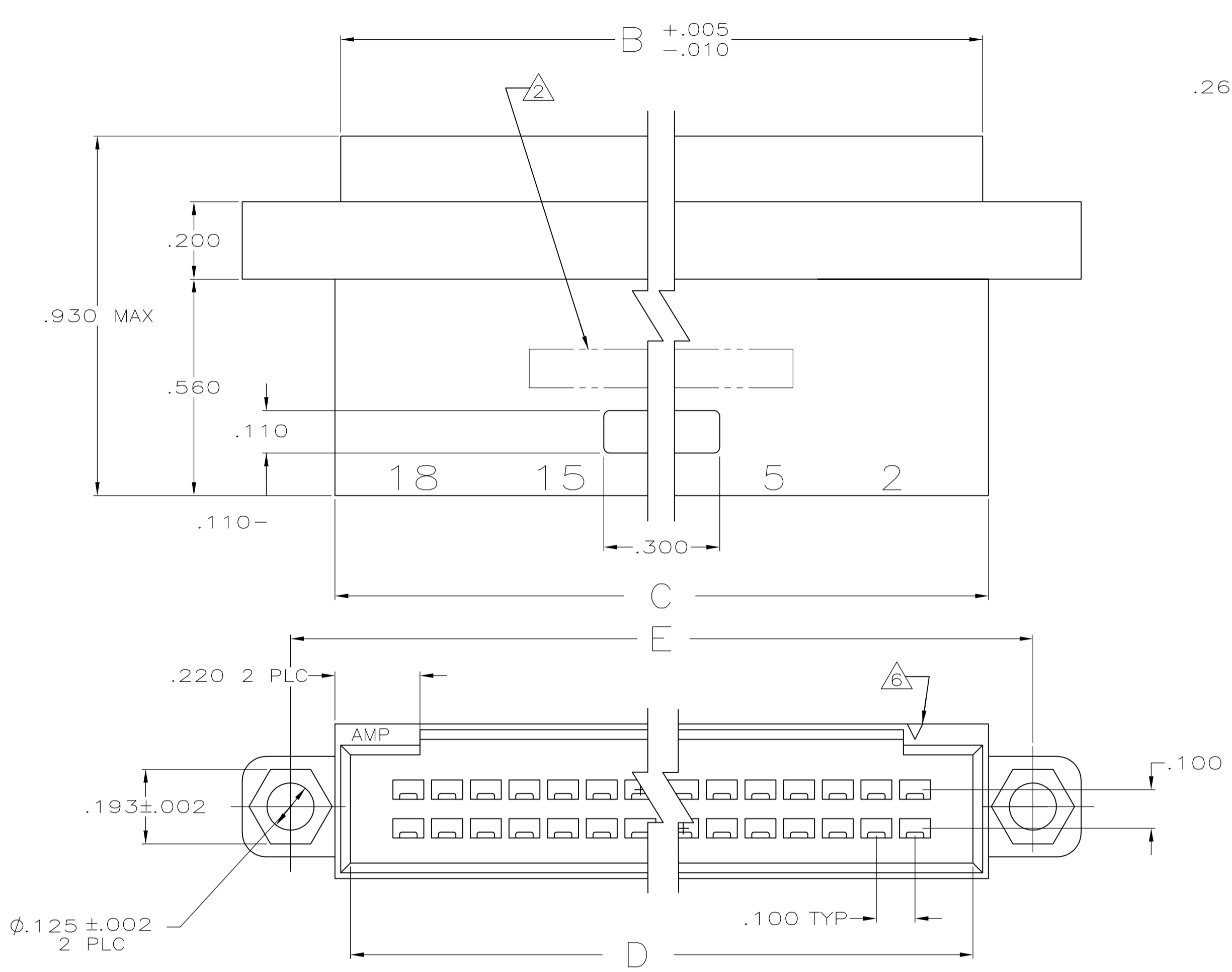
Tel: +86-755-8981 8866 Fax: +86-755-8427 6832

Email & Skype: info@chipsmall.com Web: www.chipsmall.com

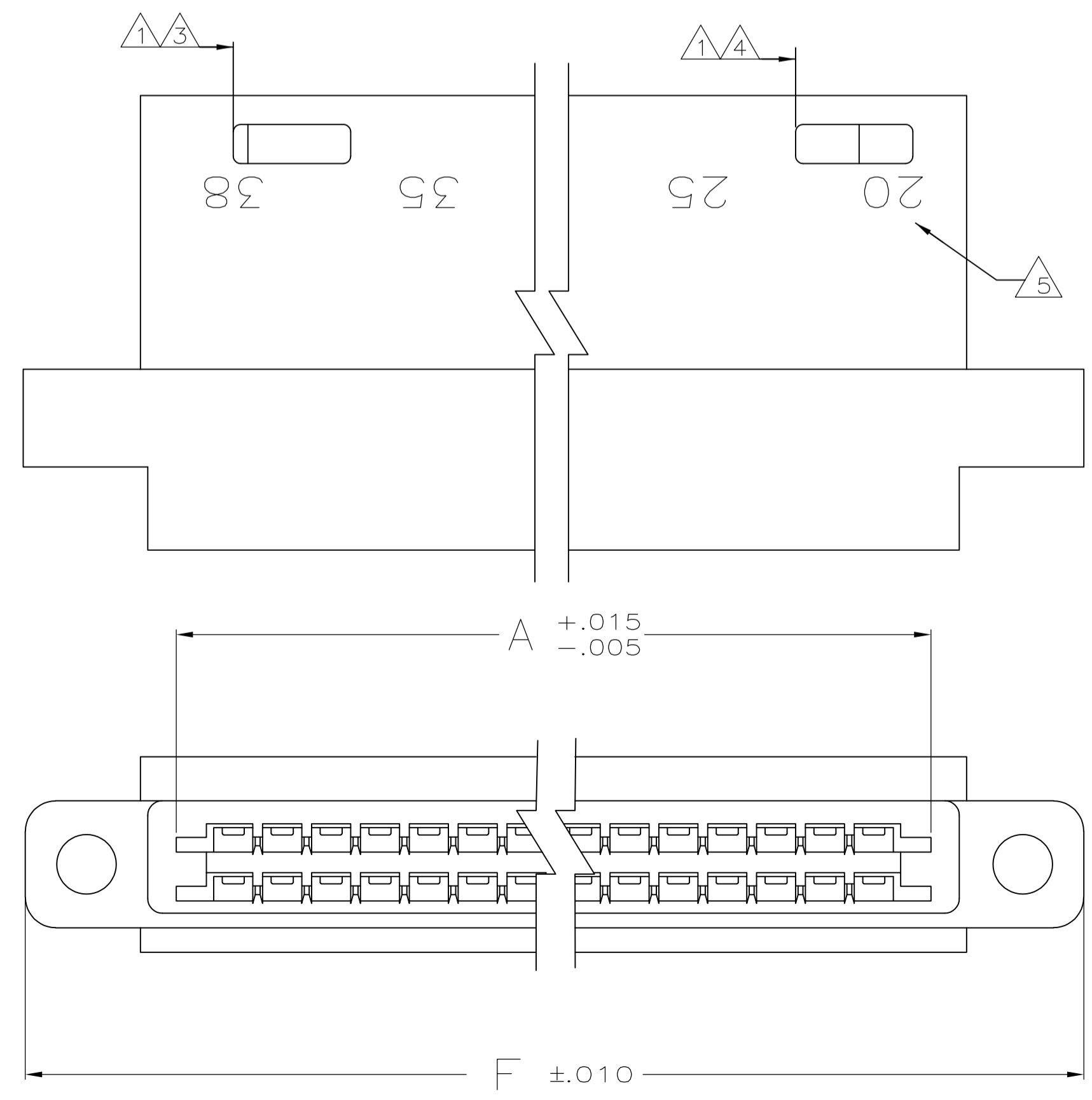
Address: A1208, Overseas Decoration Building, #122 Zhenhua RD., Futian, Shenzhen, China



| LOC |    | DIST |     | REVISIONS                 |         |     |      |
|-----|----|------|-----|---------------------------|---------|-----|------|
| GP  | 00 | F    | LTR | DESCRIPTION               | DATE    | DWN | APVD |
|     |    | AE   |     | REVISED PER ECO-08-025674 | 22OCT08 | JDP | CWR  |
|     |    | AE1  |     | REVISED PER ECO-09-021826 | 8JAN10  | KK  | AEJ  |



- ① DETENT SLOTS 6,10,12,16 & 18 POSN  
 ONE SLOT LOCATED AS FOLLOWS:  
 6 POSN CENTERLINE OF FIRST CIRCUIT FROM LEFT  
 10 AND 12 POSN CENTERLINE OF SECOND CIRCUIT FROM LEFT  
 16 POSN CENTERLINE OF THIRD CIRCUIT FROM LEFT  
 18 POSN CENTERLINE OF FOURTH CIRCUIT FROM LEFT  
 20 POSN AND GREATER TWO DETENT SLOTS LOCATED AS SHOWN
- ② PART NO. AND DATE CODE INK STAMPED, WHITE.
- ③ CENTERLINE OF FIRST CAVITY FROM LEFT
- ④ CENTERLINE OF THIRD CAVITY FROM RIGHT
- ⑤ CAVITY IDENTS INK STAMPED (WHITE). (SEE TABLE)
- ⑥ INDICATES POSITION 1, MAY BE RECESSED OR RAISED.
- ⑦ HOUSING WILL ACCOMMODATE FLEXIBLE FLAT CABLE .050 OR .062 WIDE CONDUCTORS ON .100 CENTERS (CABLE=.015 MAX THK) AND #22-#24 AWG WIRE WITH INSULATION RANGE OF .061 TO .069 DIA
- 8. THIS HOUSING IS DESIGNED TO MATE WITH FFC RECEPTACLE HOUSING AND AMP LATCH RECEPTACLE HOUSING
- ⑨ OBSOLETE PART NUMBER
- ⑩ GLASS-FILLED NYLON, BLACK, UL V-0.
- ⑪ OBSOLETE PARTS: OBSOLETE CIS STREAMLINING PER D.RENAUD/D.SINISI



|             |                       |                         |       |       |       |       |       |       |    |             |
|-------------|-----------------------|-------------------------|-------|-------|-------|-------|-------|-------|----|-------------|
| ① 3-88190-7 | 2,5,10,16             | 18,25,30,34             | 2.460 | 2.210 | 1.900 | 1.980 | 1.950 | 1.834 | 34 | ⑪ 3-88190-8 |
| ② 3-88190-5 | 2,5                   | 7,10,12                 | 1.360 | 1.110 | .800  | .880  | .850  | .734  | 12 | ⑨ 3-88190-6 |
| ③ 3-88190-3 | 2,5,7                 | 9,16                    | 1.560 | 1.310 | 1.000 | 1.080 | 1.050 | .931  | 16 | 3-88190-4   |
| ④ 3-88190-1 | 2                     | 4,6                     | 1.060 | .810  | .500  | .580  | .550  | .434  | 6  | 3-88190-2   |
| ⑤ 2-88190-9 | 2,4                   | 6,10                    | 1.260 | 1.010 | .700  | .780  | .750  | .634  | 10 | 3-88190-0   |
| ⑥ 2-88190-7 | 2,5,10,15,20,25,30,34 | 36,40,45,50,55,60,65,70 | 4.260 | 4.010 | 3.700 | 3.780 | 3.750 | 3.634 | 70 | ⑨ 2-88190-8 |
| ⑦ 2-88190-5 | 2,5,10,15,20,25,32    | 34,40,45,50,55,60,66    | 4.060 | 3.810 | 3.500 | 3.580 | 3.550 | 3.434 | 66 | ⑩ 2-88190-6 |
| ⑧ 2-88190-3 | 2,5,10,15,20,25,29    | 31,35,40,45,50,55,60    | 3.760 | 3.510 | 3.200 | 3.280 | 3.250 | 3.134 | 60 | ⑨ 2-88190-4 |
| ⑨ 2-88190-1 | 2,5,10,15,20,25,28    | 30,35,40,45,50,55,58    | 3.660 | 3.410 | 3.100 | 3.180 | 3.150 | 3.034 | 58 | ⑨ 2-88190-2 |
| ⑩ 1-88190-9 | 2,5,10,15,21          | 23,25,30,35,40,44       | 2.960 | 2.710 | 2.400 | 2.480 | 2.450 | 2.334 | 44 | ⑨ 2-88190-0 |
| ⑪ 1-88190-7 | 2,5,10,15,19          | 21,25,30,35,40          | 2.760 | 2.510 | 2.200 | 2.280 | 2.250 | 2.134 | 40 | 1-88190-8   |
| ① 1-88190-5 | 2,5,10,17             | 19,25,30,36             | 2.560 | 2.310 | 2.000 | 2.080 | 2.050 | 1.934 | 36 | ⑨ 1-88190-6 |
| ② 1-88190-3 | 2,5,10,13             | 15,20,25,28             | 2.160 | 1.910 | 1.600 | 1.680 | 1.650 | 1.534 | 28 | ⑩ 1-88190-4 |
| ③ 1-88190-1 | 2,5,12                | 14,20,26                | 2.060 | 1.810 | 1.500 | 1.580 | 1.550 | 1.434 | 26 | 1-88190-2   |
| ④ 88190-9   | 2,5,11                | 13,20,24                | 1.960 | 1.710 | 1.400 | 1.480 | 1.450 | 1.334 | 24 | 1-88190-0   |
| ⑤ 88190-7   | 2,5,9                 | 11,15,20                | 1.760 | 1.510 | 1.200 | 1.280 | 1.250 | 1.134 | 20 | 88190-8     |
| ⑥ 88190-5   | 2,5,8                 | 10,15,18                | 1.660 | 1.410 | 1.100 | 1.180 | 1.150 | 1.034 | 18 | 88190-6     |
| ⑦ 88190-3   | 2,5,10,15,20,24       | 26,30,35,40,45,50       | 3.260 | 3.010 | 2.700 | 2.780 | 2.750 | 2.634 | 50 | ⑪ 88190-4   |
| ⑧ 88190-1   | 2,5,10,15,18          | 20,25,30,35,38          | 2.660 | 2.410 | 2.100 | 2.180 | 2.150 | 2.034 | 38 | 88190-2     |

| INK STAMPED PART NO. | NEAR SIDE               | FAR SIDE | F | E | D | C | B | A | NO OF POSN | AS MOLDED PART NO. |
|----------------------|-------------------------|----------|---|---|---|---|---|---|------------|--------------------|
|                      | CAVITY POSN NO. STAMPED |          |   |   |   |   |   |   |            |                    |

THIS DRAWING IS A CONTROLLED DOCUMENT.

DIMENSIONS: INCHES  
 TOLERANCES UNLESS OTHERWISE SPECIFIED:  
 0 PLC ± -  
 1 PLC ± -  
 2 PLC ± -  
 3 PLC ± .005  
 4 PLC ± -  
 ANGLES ± -

MATERIAL: ⑩  
 FINISH: -

THIS DRAWING IS A CONTROLLED DOCUMENT.  
 DIM: J. GALLUCCI 2-20-89  
 CHK: D. L. ROCKER 3-2-89  
 APVD: -  
 NAME: -  
 PRODUCT SPEC: -  
 APPLICATION SPEC: -  
 WEIGHT: -  
 CUSTOMER DRAWING

Tyco Electronics Corporation  
 Harrisburg, PA 17105-3608  
 HOUSING, PIN, DBL ROW, W/DETENT SLOTS, MTG EARS, .100 C/L  
 SIZE: A1  
 CASE CODE: 00779  
 DRAWING NO: 88190  
 SCALE: 4:1  
 SHEET: 1 OF 1  
 REV: AE1