



Chipsmall Limited consists of a professional team with an average of over 10 year of expertise in the distribution of electronic components. Based in Hongkong, we have already established firm and mutual-benefit business relationships with customers from,Europe,America and south Asia,supplying obsolete and hard-to-find components to meet their specific needs.

With the principle of "Quality Parts,Customers Priority,Honest Operation,and Considerate Service",our business mainly focus on the distribution of electronic components. Line cards we deal with include Microchip,ALPS,ROHM,Xilinx,Pulse,ON,Everlight and Freescale. Main products comprise IC,Modules,Potentiometer,IC Socket,Relay,Connector.Our parts cover such applications as commercial,industrial, and automotives areas.

We are looking forward to setting up business relationship with you and hope to provide you with the best service and solution. Let us make a better world for our industry!



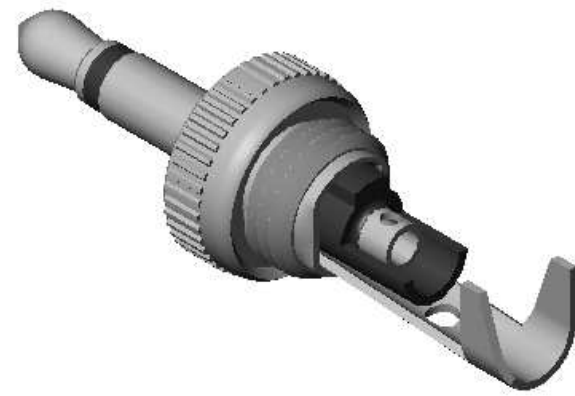
Contact us

Tel: +86-755-8981 8866 Fax: +86-755-8427 6832

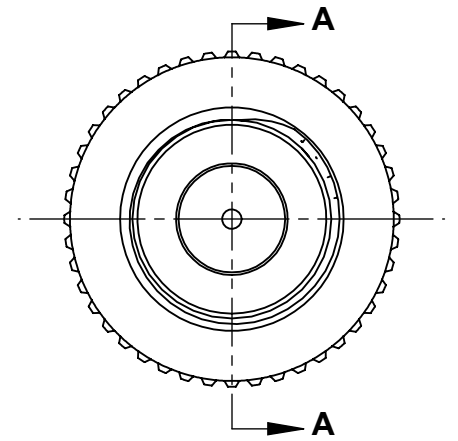
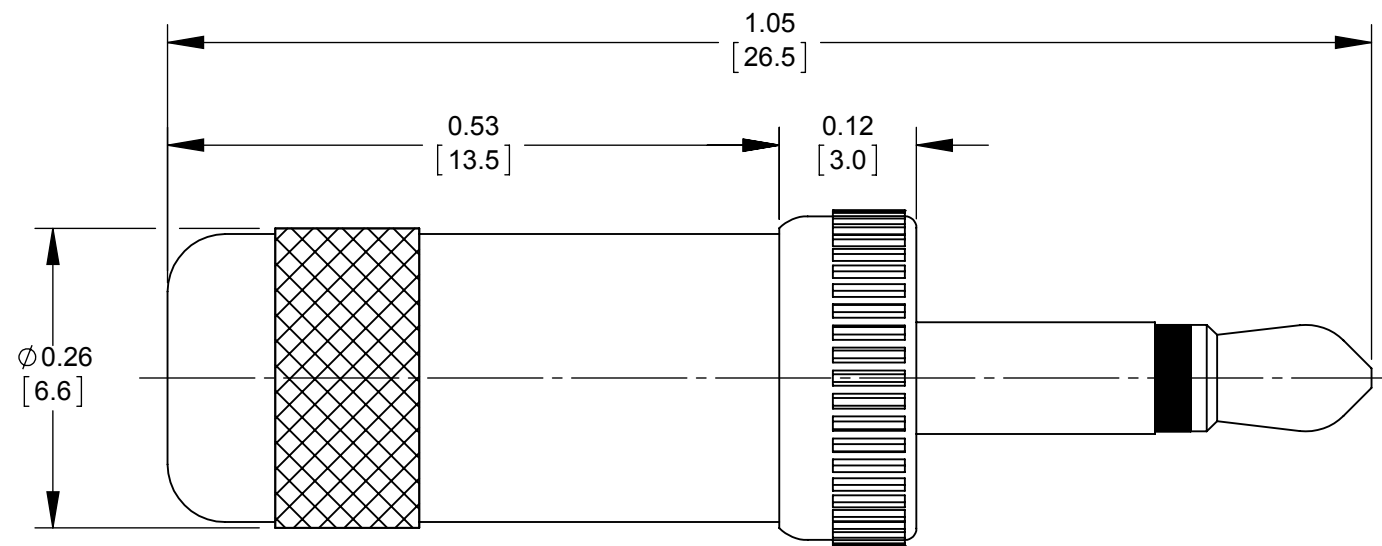
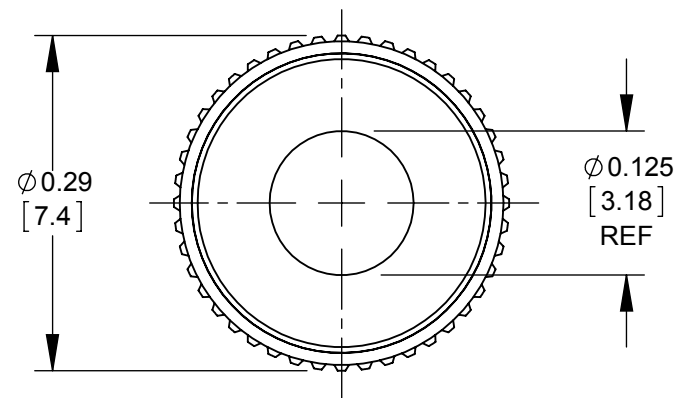
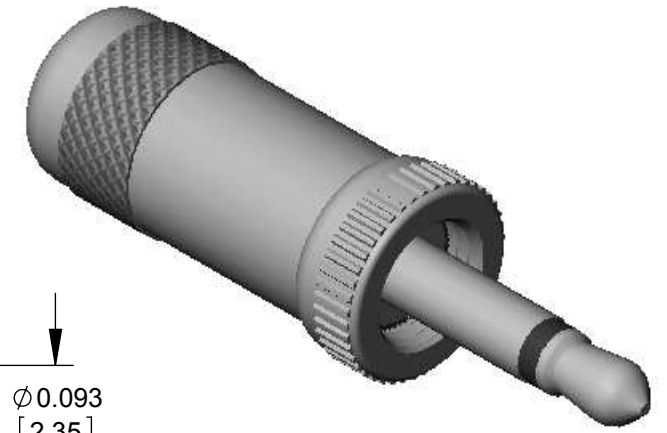
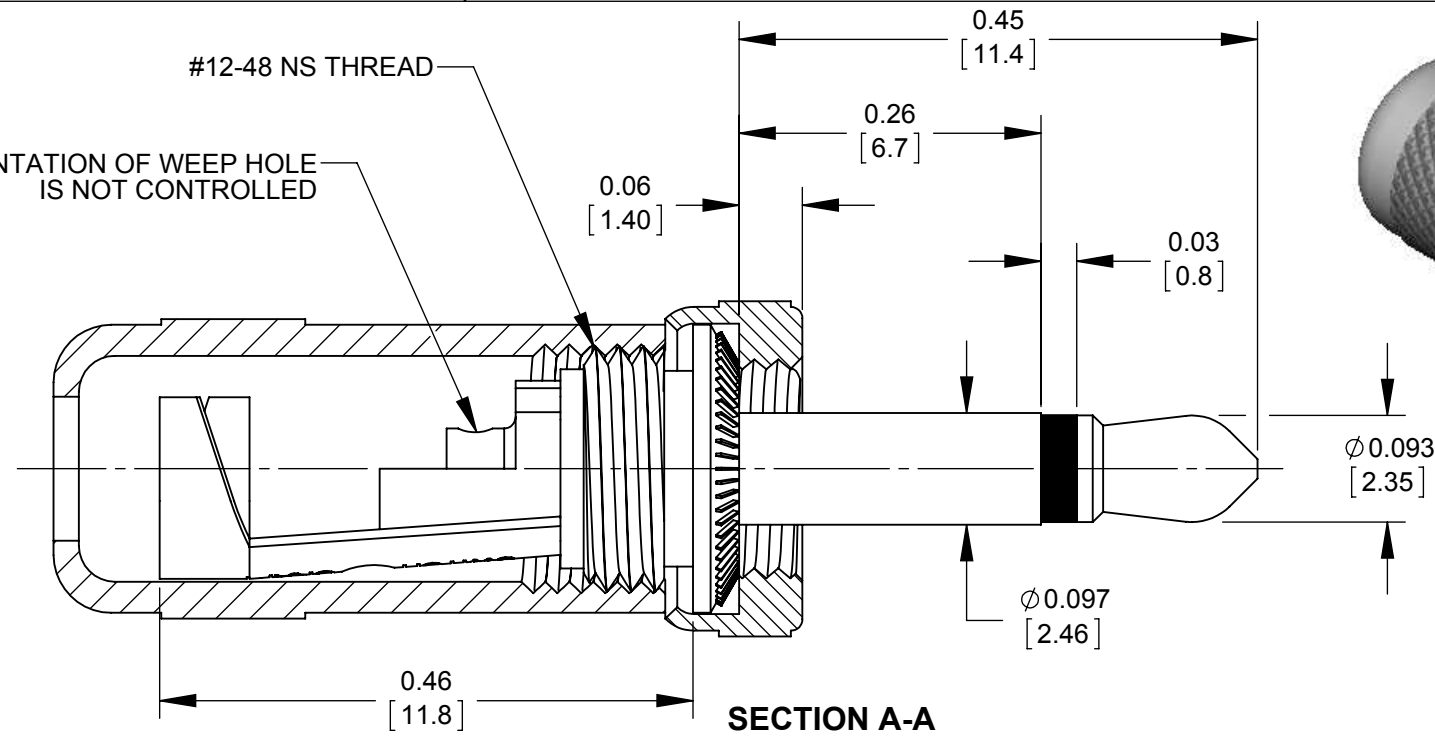
Email & Skype: info@chipsmall.com Web: www.chipsmall.com

Address: A1208, Overseas Decoration Building, #122 Zhenhua RD., Futian, Shenzhen, China





B ORIENTATION OF WEEP HOLE IS NOT CONTROLLED



NOTES:

- MATERIALS:
TIP, BODY AND COUPLING RING - COPPER ALLOY, NICKEL PLATED
CABLE CLAMP - COPPER ALLOY, TIN PLATED
INSULATION - THERMOPLASTIC, DARK GRAY
HANDLE - ANODIZED ALUMINUM, SEE TABLE FOR COLOR
- COUPLING RING HAS A #10-48 NS-2B THREAD. 0.050 MINIMUM THREAD PROJECTION OF JACK FOR PROPER LOCK.
- HANDLE IS SHIPPED UNASSEMBLED.
- THIS PRODUCT IS RoHS COMPLIANT.

PART NUMBER	HANDLE COLOR
851X	BLACK
856X	RED
881X	CLEAR ANODIZED

CUSTOMER DRAWING

REV	ECO NUMBER	DATE	BY	APVD
B	27510	06-03-15	TJK	TJK
A	26062	06-28-06	TO	TJK
REVISIONS				

UNLESS OTHERWISE SPECIFIED
1. ALL DIMENSIONS IN INCHES [mm]
- TWO PLACE DECIMALS ±0.02 [0.5]
- THREE PLACE DECIMALS ±0.005 [0.13]

DO NOT SCALE DRAWING

THIS DRAWING DESCRIBES A DESIGN CONSIDERED PROPRIETARY IN NATURE, DEVELOPED AND MANUFACTURED BY SWITCHCRAFT INC. AND IS RELEASED ON A CONFIDENTIAL BASIS FOR IDENTIFICATION PURPOSES ONLY.											
SIZE	WIDTH	MULT	LBS/M	TEMPER							
FINISH					MATERIAL						
SPEC No.					SPEC No.						
FIRST USED ON				SCALE 6:1							
DATE DRAWN	BY	CHKD	APVD	Switchcraft®							
01-23-08	AH	AH	TJK	SHEET 1 OF 1							
				01-23-08				01-23-08			
NAME 2 CONDUCTOR, LOCKING MICRO-PLUG ASSEMBLY, RoHS								PART No. 851X, 856X, 881X		REV B	