



Chipsmall Limited consists of a professional team with an average of over 10 year of expertise in the distribution of electronic components. Based in Hongkong, we have already established firm and mutual-benefit business relationships with customers from,Europe,America and south Asia,supplying obsolete and hard-to-find components to meet their specific needs.

With the principle of “Quality Parts,Customers Priority,Honest Operation,and Considerate Service”,our business mainly focus on the distribution of electronic components. Line cards we deal with include Microchip,ALPS,ROHM,Xilinx,Pulse,ON,Everlight and Freescale. Main products comprise IC,Modules,Potentiometer,IC Socket,Relay,Connector.Our parts cover such applications as commercial,industrial, and automotives areas.

We are looking forward to setting up business relationship with you and hope to provide you with the best service and solution. Let us make a better world for our industry!



Contact us

Tel: +86-755-8981 8866 Fax: +86-755-8427 6832

Email & Skype: info@chipsmall.com Web: www.chipsmall.com

Address: A1208, Overseas Decoration Building, #122 Zhenhua RD., Futian, Shenzhen, China



4

3

2

1

NOTE:

1. DYNAMIC TORQUE AT VEHICLE ASSEMBLY PLANT: $5.4\text{Nm} \pm 0.9\text{Nm}$ @ 540 RPM MAX

REVISIONS				
ZONE	REV.	DESCRIPTION	DATE	APPROVED
	A	PER EC#514693: INITIAL RELEASE	6/22/2015	J. LIU

Dimensions: 29.40 ± 0.3 , 59 ± 0.5 , 24.1 ± 0.5 , 32.5 ± 0.76 .
 Callouts: 1, 2, 3, $\phi 8.30 \pm 0.05$.

Dimensions: 6 , 14.20 ± 0.3 .
 Callouts: TOP, BOTTOM.

Dimensions: $\phi 18.62$ AS STAMPED, $\phi 18.52$, $\phi 18.11$ AS STAMPED, $\phi 18.03$.
 Callouts: BOTTOM, TOP.

BOM			
ITEM	DESCRIPTION	MATERIAL	QTY
1	BATTERY TERMINAL	ALLOY C194, TIN PLATED WITH MINIMUM THICKNESS OF 0.001	1
2	M6 CARRAGE BOLT		1
3	M6 FLANGE NUT		1

DIMENSIONS ARE IN MM.
 DIMENSIONS AND TOLERANCES ARE DEFINED ACCORDING TO ANSI / ASME Y14.5M-1994
 THIS DRAWING AND THE INFORMATION CONTAINED WITHIN IT ARE CONFIDENTIAL AND MAY NOT BE COPIED OR DISCLOSED WITHOUT THE WRITTEN PERMISSION OF LITTELFUSE.

NAME	DATE
DRAWN J. Liu	6/22/2015
CHECKED	

THIRD ANGLE PROJECTION

Littelfuse
 Expertise Applied | Answers Delivered
 805 W ORCHARD DR., STE 6, BELLINGHAM, WA 98226
 Phone (360)738-9010 Fax (360)738-0372

TERMINAL ASSEMBLY-ZCASE FUSE HOLDER

SIZE DWG. NO. **C 876-199** REV. **A**
 SCALE 1.5:1 SHEET 1 OF 1

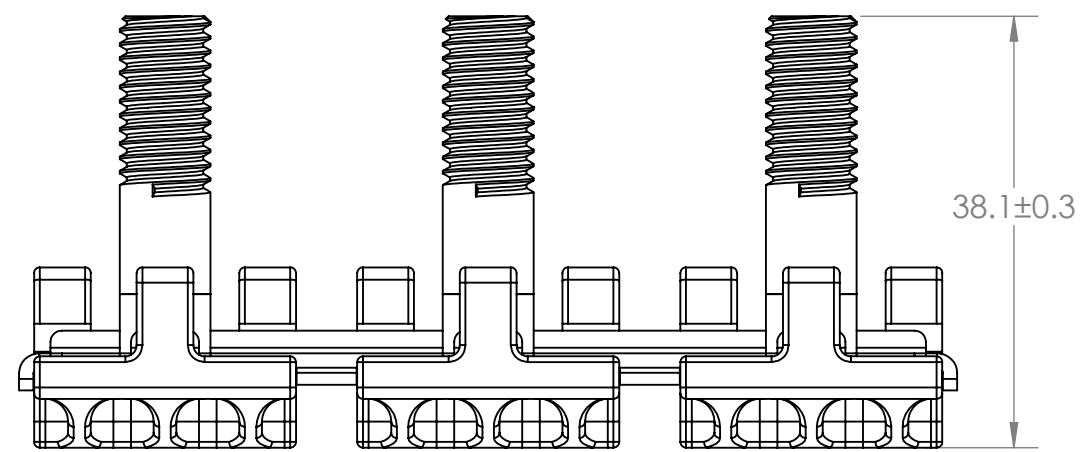
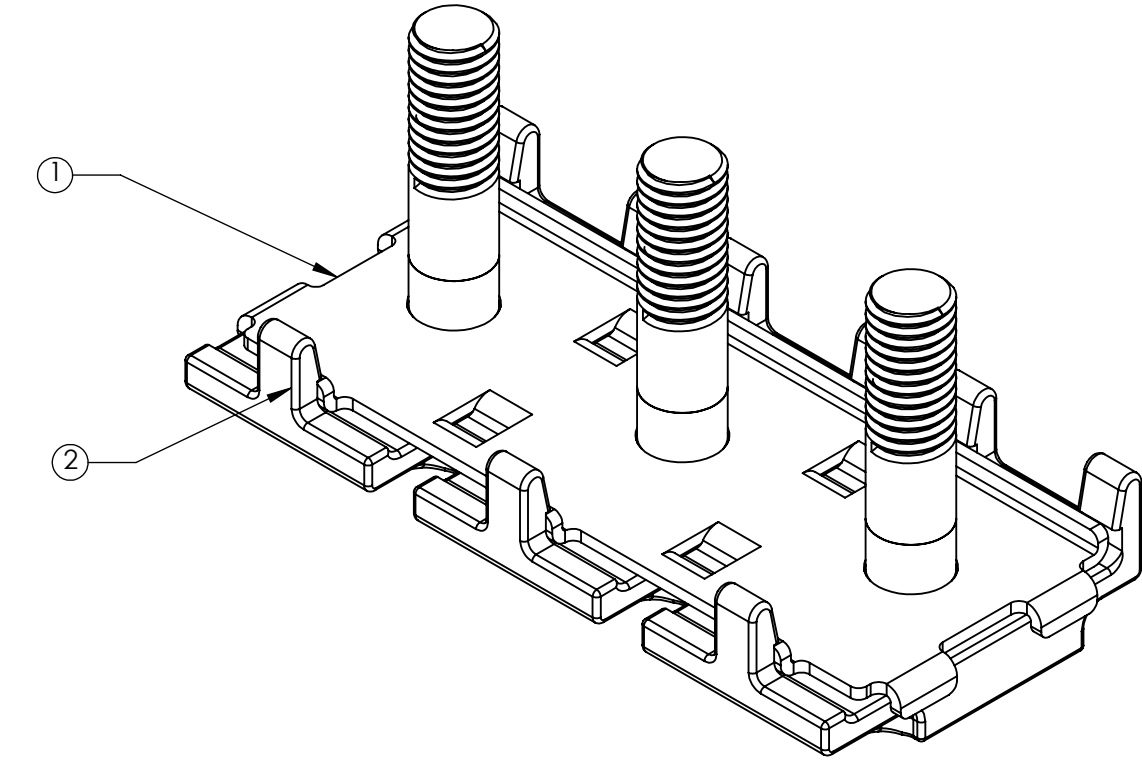
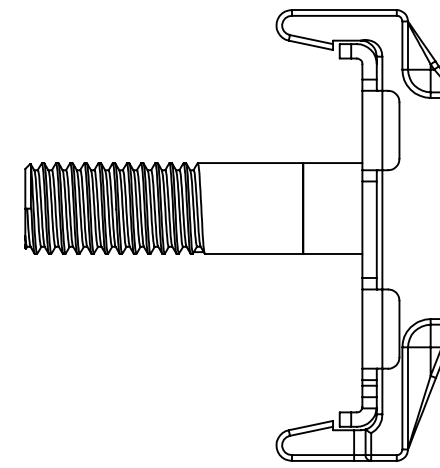
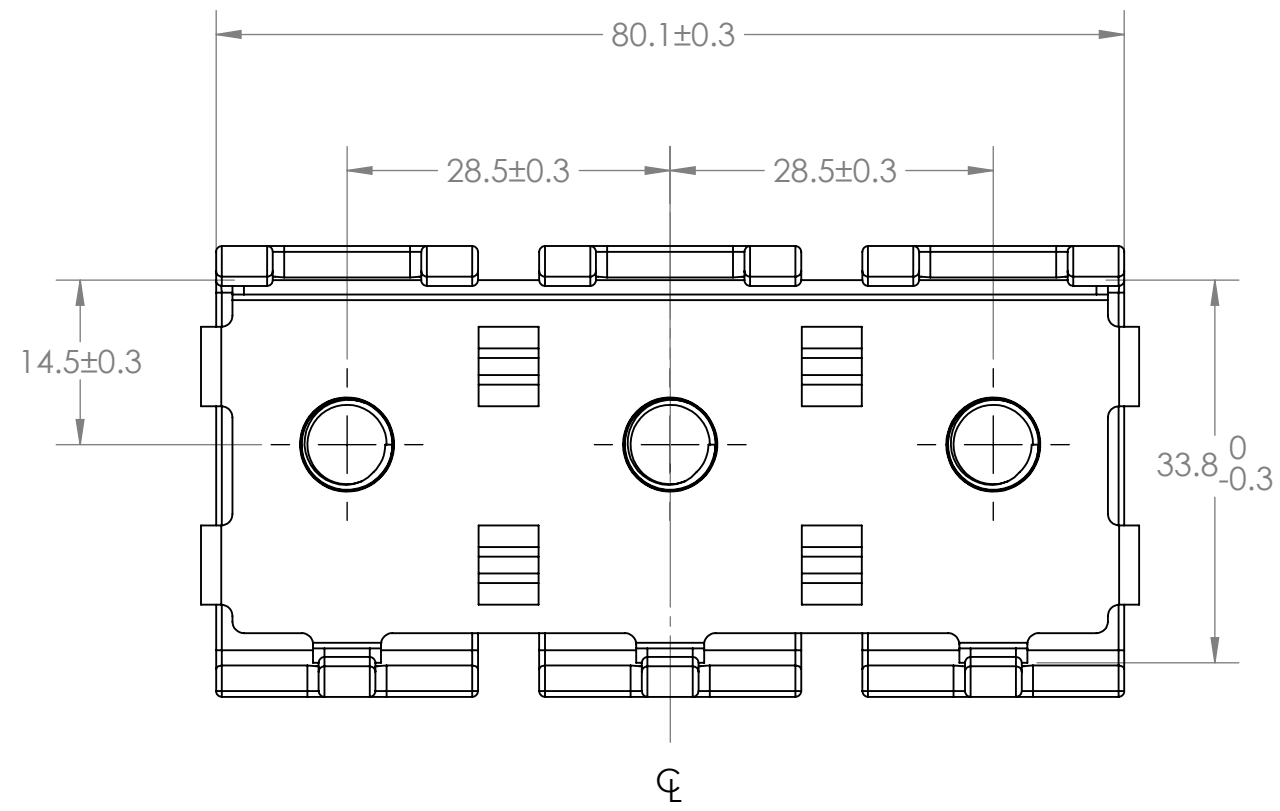
4

3

2

1

REVISIONS				
ZONE	REV.	DESCRIPTION	DATE	APPROVED
	A	PER EC#514694: INITIAL RELEASE	6/22/2015	J. LIU



BOM			
ITEM	DESCRIPTION	MATERIAL	QTY
1	FUSE HOLDER TERMINAL	ALLOY C19400 (ASTM #B465) 100% TIN OVER NICKEL	1
2	FUSE HOLDER - M8		3

Littelfuse
 Expertise Applied | Answers Delivered
 805 W ORCHARD DR., STE 6, BELLINGHAM, WA 98226
 Phone (360)738-9010 Fax (360)738-0372

BUS BAR AND STUD ASSM-ZCASE HOLDER 3WAY

SIZE C DWG. NO. **882-853** REV. **A**

SCALE 1.5:1 SHEET 1 OF 1

THIRD ANGLE PROJECTION

DIMENSIONS ARE IN MM.
 DIMENSIONS AND TOLERANCES ARE DEFINED ACCORDING TO ANSI / ASME Y14.5M-1994

THIS DRAWING AND THE INFORMATION CONTAINED WITHIN IT ARE CONFIDENTIAL AND MAY NOT BE COPIED OR DISCLOSED WITHOUT THE WRITTEN PERMISSION OF LITTELFUSE.

NAME	DATE
DRAWN J. Liu	6/22/2015
CHECKED -	-
-	-
-	-
-	-

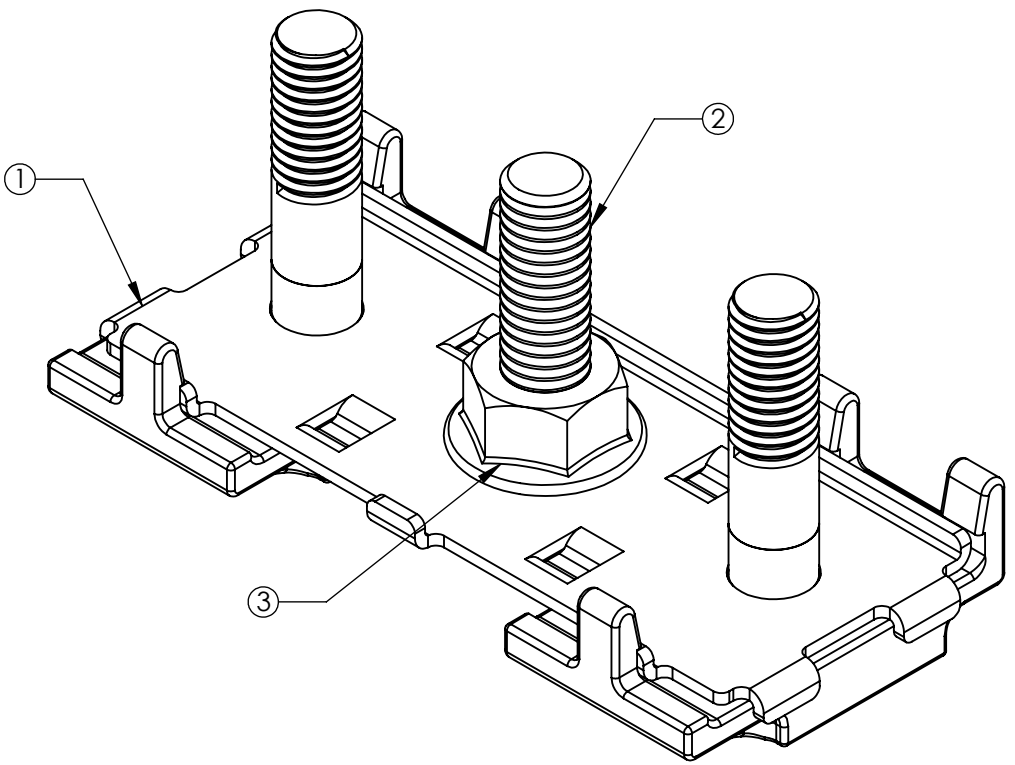
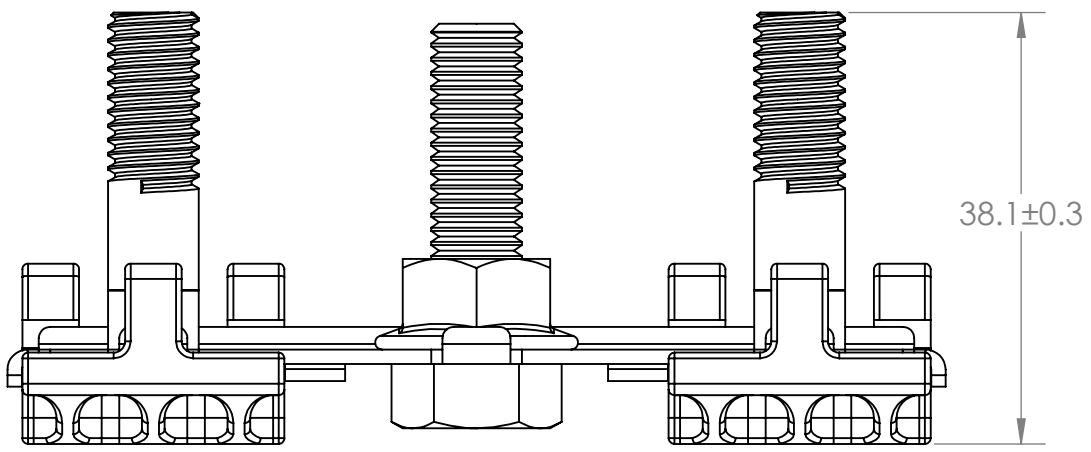
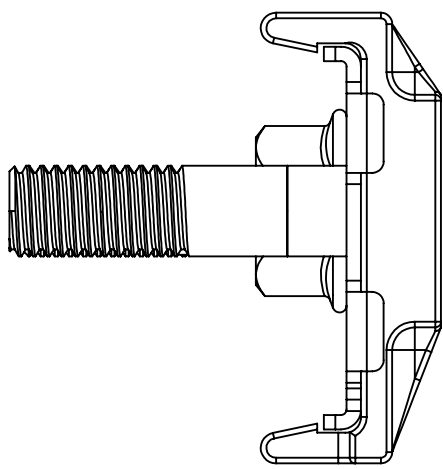
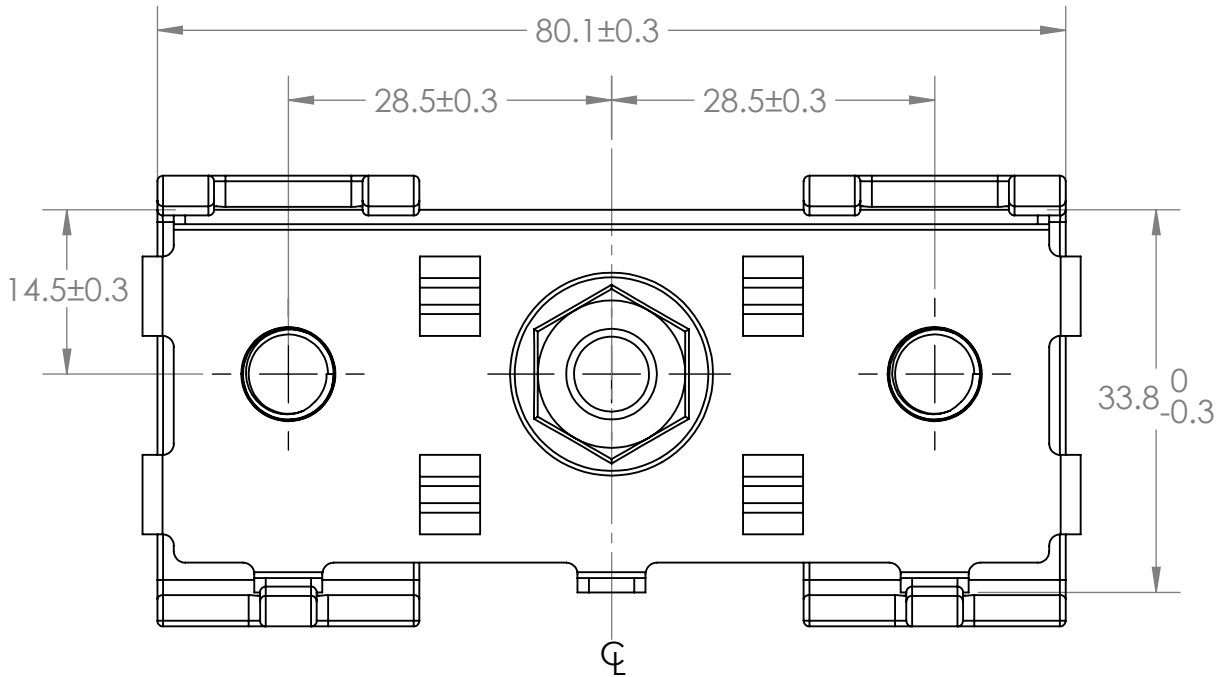
4

3

2

1

REVISIONS				
ZONE	REV.	DESCRIPTION	DATE	APPROVED
	A	PER EC#514692: INITIAL RELEASE	6/22/2015	J. LIU
	B	PER EC#515141: SUBSTITUED TWO COMPONENTS WITH A SUBASSEMBLY, ADDED PART NUMBERS IN BOM	10/16/2015	J. LIU



BOM			
ITEM	PART NUMBER	DESCRIPTION	QTY
1	882-855	SUB ASSM-ZCASE FUSE HOLDER 2WAY	1
2	980002820	BOLT M8x1.25x30 SS	1
3	980003760	M8 x 1.25 SERRATED FLANGE HEX NUT SS	1

DIMENSIONS ARE IN MM.
 DIMENSIONS AND TOLERANCES ARE DEFINED ACCORDING TO ANSI / ASME Y14.5M-1994

THIS DRAWING AND THE INFORMATION CONTAINED WITHIN IT ARE CONFIDENTIAL AND MAY NOT BE COPIED OR DISCLOSED WITHOUT THE WRITTEN PERMISSION OF LITTELFUSE.

NAME	DATE
J. Liu	6/22/2015

THIRD ANGLE PROJECTION

Littelfuse
 Export/Import Division | Americas Division
 805 W ORCHARD DR., STE 6, BELLINGHAM, WA 98226
 Phone (360)738-9010 Fax (360)738-0372

BUS BAR AND STUD ASSM-ZCASE HOLDER 2WAY

SIZE DWG. NO. **882-854** REV. **B**
 SCALE 1.5:1 SHEET 1 OF 1

4

3

2

1