



Chipsmall Limited consists of a professional team with an average of over 10 year of expertise in the distribution of electronic components. Based in Hongkong, we have already established firm and mutual-benefit business relationships with customers from,Europe,America and south Asia,supplying obsolete and hard-to-find components to meet their specific needs.

With the principle of “Quality Parts,Customers Priority,Honest Operation,and Considerate Service”,our business mainly focus on the distribution of electronic components. Line cards we deal with include Microchip,ALPS,ROHM,Xilinx,Pulse,ON,Everlight and Freescale. Main products comprise IC,Modules,Potentiometer,IC Socket,Relay,Connector.Our parts cover such applications as commercial,industrial, and automotives areas.

We are looking forward to setting up business relationship with you and hope to provide you with the best service and solution. Let us make a better world for our industry!



## Contact us

Tel: +86-755-8981 8866 Fax: +86-755-8427 6832

Email & Skype: info@chipsmall.com Web: www.chipsmall.com

Address: A1208, Overseas Decoration Building, #122 Zhenhua RD., Futian, Shenzhen, China

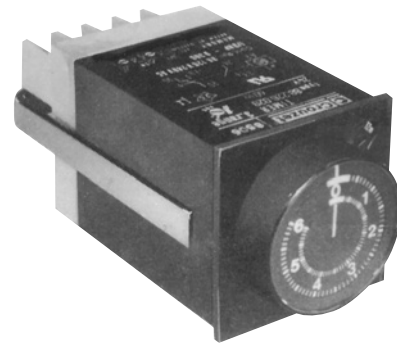


# 88220 SERIES

## MULTIFUNCTION MOTOR TIMER WITH MEMORY

UL listed CSA recognized

- **Five Functions in One Unit**
- **Timing Range from 0.3 sec to 12 hours**
- **DIN-Rail, Plug-in, or Panel Mounting**



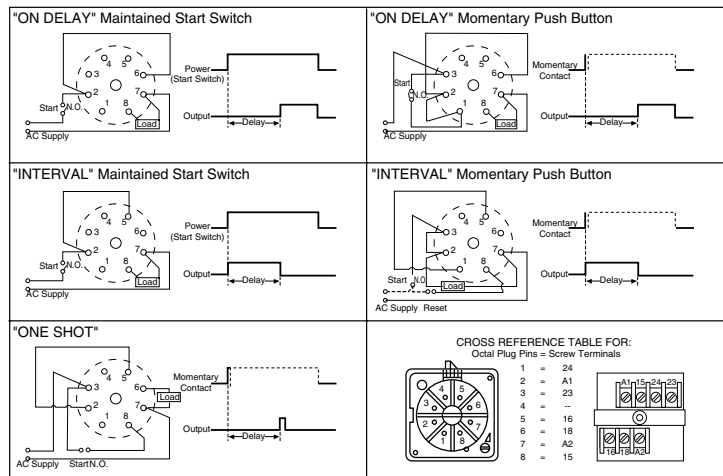
### DESCRIPTION:

The 88220 Series is a synchronous motor driven reset timer. The timer is available in 2 standard time ranges from 0.3 sec to 12 hours. Time ranges are knob adjustable and all have a progress pointer which displays the remaining time. Different functions (ON Delay, Interval, One Shot) selectable through external wiring.

### SPECIFICATIONS:

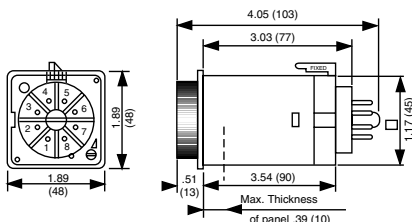
<b>Input Power</b>	24 VAC, 110 VAC, 220 VAC ±10%, 60 Hz
<b>Maximum power consumption</b>	3 VA
<b>Output</b>	1 x SPST Relay & 1 x SPDT Relay
<b>Contact material</b>	AgCdO
<b>Maximum loading</b>	8 Amp 1/3 HP
<b>Maximum switching voltage</b>	220 VAC
<b>Mechanical life of relay</b>	2.5 million operations
<b>Repeat accuracy</b>	±1.5% (except 4% on 6 sec range)
<b>Setting Accuracy</b>	±2% (except 5% on 6 sec range)
<b>Reset time</b>	200 ms
<b>Storage temp. rating</b>	-20° to +70°C (-4° to 158°F)
<b>Operating temp. rating</b>	-20° to +55°C (-4° to 131°F)

### FUNCTION AND WIRING DIAGRAMS: (Octal plug-in mounting shown)

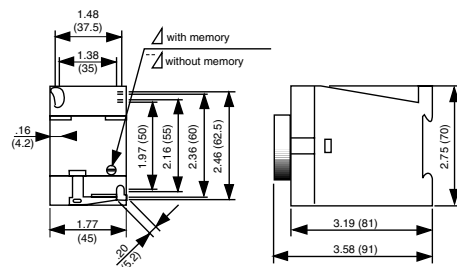


### DIMENSIONS: inches (mm)

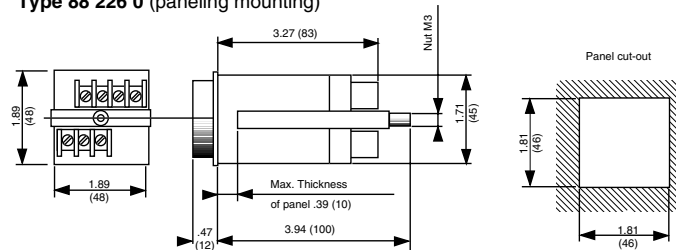
Type 88 226 5 (octal plug-in)



Type 88 225 0 (DIN - rail mounting)



Type 88 226 0 (paneling mounting)



Products and specifications subject to change without notice.  
Consult factory for application assistance.

**GENERAL FEATURES:**

**MULTI-FUNCTION**

on-delay, interval and single shot in on timer

**MULTI-RANGE**

2 model/3 time ranges each cover from 0.3 sec to 12 hours

**TRANSIENT IMMUNITY**  
Built-in

**CYCLE PROGRESS**

dial shows time remaining in cycle

**±2% SETTING ACCURACY**

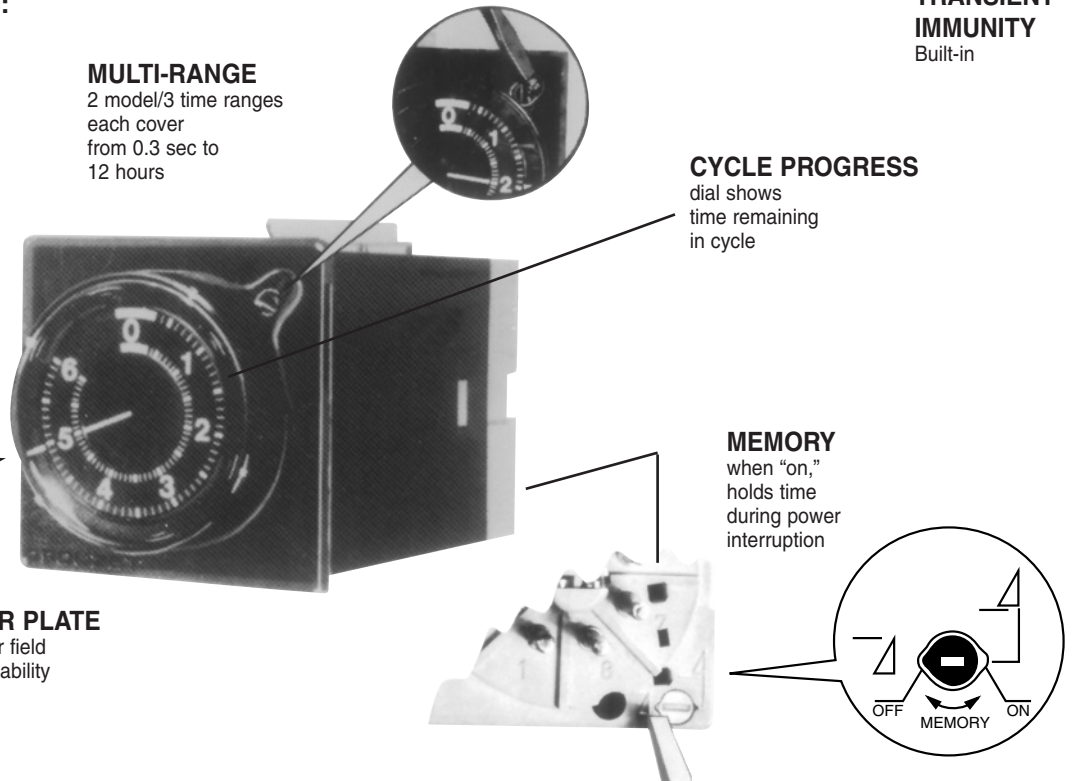
**±1.5% REPEAT ACCURACY**

**ADAPTER PLATE**

available for field interchangeability (not shown)

**MEMORY**

when "on," holds time during power interruption



**4**

**TIME RANGES**

Model 1 (12 min.): .3 to 6 s, .5 to 12 min.  
Model 2 (12 hrs.): .3 to 6 min., 3 to 60 min, .5 to 12 hrs.

**ORDERING INFORMATION:**

When ordering, select model, voltage/frequency and mounting to determine part number in chart below

**EXAMPLE**

MODEL 1 (12 MIN.), 115V/60Hz, OCTAL PLUG-IN, 88 226 510

MODEL	VOLTAGE/FREQ.*	MODELING		
		OCTAL PLUG-IN (PART NUMBER)	PANEL MOUNTING (PART NUMBER)	BASE MOUNTING (PART NUMBER)
MODEL 1 (12 MIN.)	24 V/60 Hz	88 226 509	88 226 029	88 225 029
MODEL 1 (12 MIN.)	115 V/60 Hz	88 226 510	88 226 030	88 225 030
MODEL 1 (12 MIN.)	220 V/60 Hz	88 226 511	88 226 031	88 225 031
MODEL 1 (12 MIN.)	220 V/50 Hz	88 226 504	88 226 011	88 225 011
MODEL 2 (12 HRS.)	24 V/60 Hz	88 226 512	88 226 032	88 225 032
MODEL 2 (12 HRS.)	115 V/60 Hz	88 226 513	88 226 033	88 225 033
MODEL 2 (12 HRS.)	220 V/60 Hz	88 226 514	88 226 034	88 225 034
MODEL 2 (12 HRS.)	220 V/50 Hz	88 226 508	88 226 014	88 225 014

Products and specifications subject to change without notice.  
Consult factory for application assistance.