



Chipsmall Limited consists of a professional team with an average of over 10 year of expertise in the distribution of electronic components. Based in Hongkong, we have already established firm and mutual-benefit business relationships with customers from,Europe,America and south Asia,supplying obsolete and hard-to-find components to meet their specific needs.

With the principle of “Quality Parts,Customers Priority,Honest Operation,and Considerate Service”,our business mainly focus on the distribution of electronic components. Line cards we deal with include Microchip,ALPS,ROHM,Xilinx,Pulse,ON,Everlight and Freescale. Main products comprise IC,Modules,Potentiometer,IC Socket,Relay,Connector.Our parts cover such applications as commercial,industrial, and automotives areas.

We are looking forward to setting up business relationship with you and hope to provide you with the best service and solution. Let us make a better world for our industry!



Contact us

Tel: +86-755-8981 8866 Fax: +86-755-8427 6832

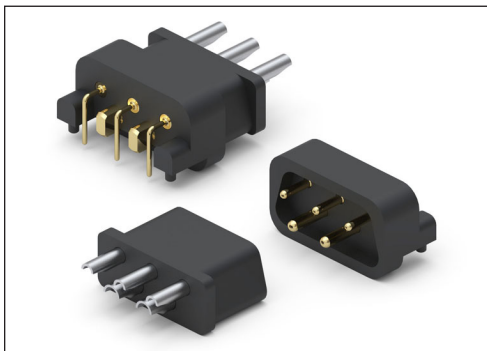
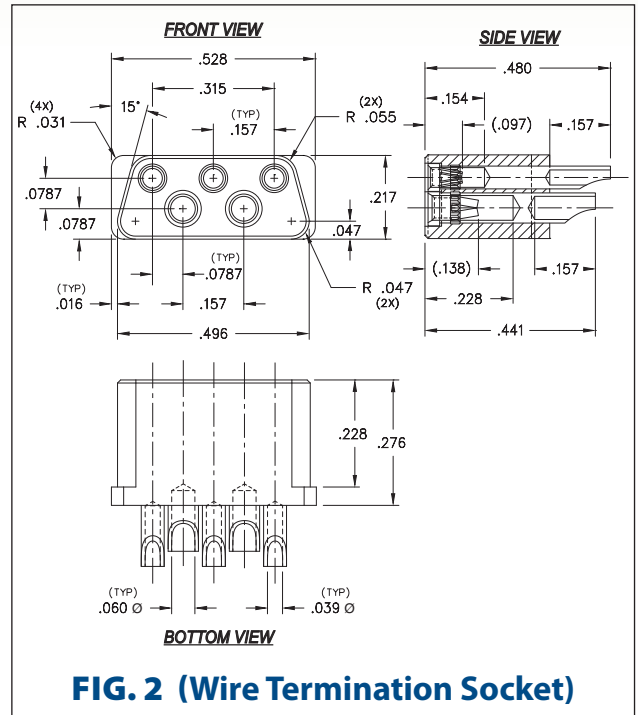
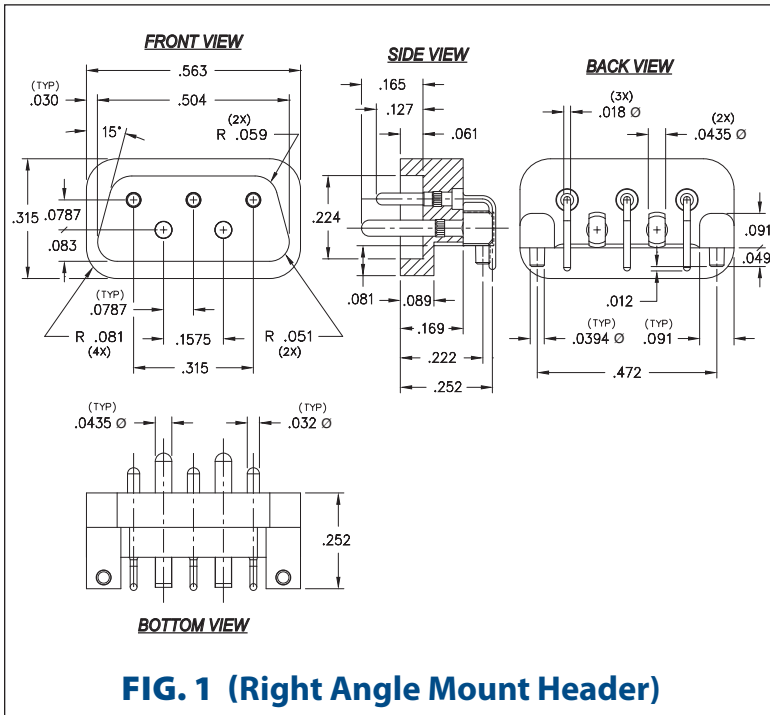
Email & Skype: info@chipsmall.com Web: www.chipsmall.com

Address: A1208, Overseas Decoration Building, #122 Zhenhua RD., Futian, Shenzhen, China



INTERCONNECTS

SERIES 888 • 2MM GRID (.032" AND .044" DIA. PINS), SIGNAL POWER SHROUDED HEADER & SOCKET CONNECTOR



- Series 888_002 right angle & surface mount P.C.B. headers have .032" & .044" dia. pins (MM #5065, #5066). See pages 213 and 224 for details
- Series 888_001 mating soldercup sockets use (MM #5070-0 and #5084-0) receptacles for terminating 22 AWG & 18AWG stranded wires. See pages 176 and 185 for details
- Receptacles use Hi-Rel, 6-finger BeCu #16 contacts rated at 4.5 amps and Hi-Rel, 4-finger BeCu #34 contacts rated at 8 amps. See pages 256 and 258 for details
- Insulators are high temperature thermoplastic, suitable for all soldering operations and shrouded for accurate alignment

ORDERING INFORMATION

FIG. 1	Series 888...002	5 Pin Right Angle Board Mount Header			
		888-30-005-20-002000			
SPECIFY PLATING CODE XX=			30		
Pin Plating			30 μ" Au		
FIG. 2	Series 888...001	5 Pin Wire Termination Socket			
		888-93-005-00-001000			
SPECIFY PLATING CODE XX=			93		
Sleeve (Pin)			200 μ" Sn/Pb		
Contact (Clip)			30 μ" Au		

