



Chipsmall Limited consists of a professional team with an average of over 10 year of expertise in the distribution of electronic components. Based in Hongkong, we have already established firm and mutual-benefit business relationships with customers from,Europe,America and south Asia,supplying obsolete and hard-to-find components to meet their specific needs.

With the principle of “Quality Parts,Customers Priority,Honest Operation,and Considerate Service”,our business mainly focus on the distribution of electronic components. Line cards we deal with include Microchip,ALPS,ROHM,Xilinx,Pulse,ON,Everlight and Freescale. Main products comprise IC,Modules,Potentiometer,IC Socket,Relay,Connector.Our parts cover such applications as commercial,industrial, and automotives areas.

We are looking forward to setting up business relationship with you and hope to provide you with the best service and solution. Let us make a better world for our industry!



Contact us

Tel: +86-755-8981 8866 Fax: +86-755-8427 6832

Email & Skype: info@chipsmall.com Web: www.chipsmall.com

Address: A1208, Overseas Decoration Building, #122 Zhenhua RD., Futian, Shenzhen, China



48 x 48 Digital LCD Timer 815 Part number 88857301



Relay output digital timers

- Multi-range
- Multi-voltage
- 1 or 2 relay outputs
- Data saved in the event of a break in supply (Timer 815)
- Access to programming lockable (Timer 814, 815)
- Up or down timing mode
- Internal power supply by battery (10 years / 20 °C)

Part numbers

	Type	Functions	Connection	Relay outputs	Supply voltage	Nominal rating
88857301	Timer 815	A1, A2, AM, AMt	Plug-in 11 way	1 timed changeover or instantaneous	24 V DC/AC220 →240 V AC	2 x 8 A

Specifications

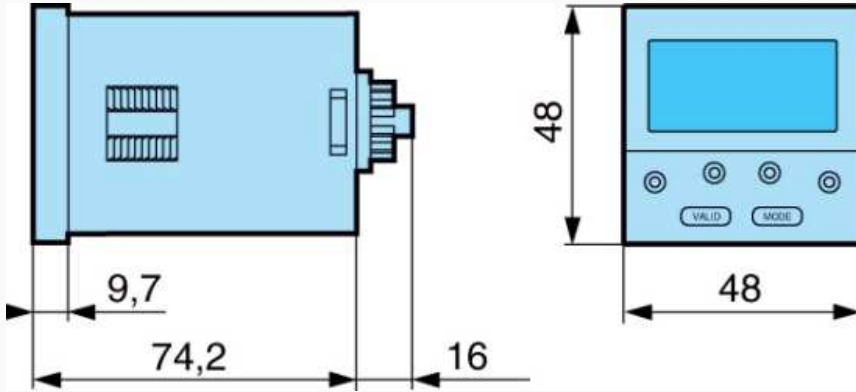
Number of digits	4
Height of digits	TIMER 812 - 814 - 815 : 8 mm
Timing ranges	99,99 s 999,9 s 9999 s 99 min 59 s 99,99 min 999,9 min 9999 min 99 h 59 min 99,99 h 999,9 h 9999 h
Repetition accuracy (with constant parameters)	TIMER 812 - 814 - 815 : $\pm 0,03 \% \pm 20$ ms
Display precision	TIMER 812 - 814 - 815 : $\pm 0,03 \% \pm 20$ ms
Min. control pulse	50 ms
Maximum reset time by de-energisation during timed delay	50 ms
Maximum reset time by de-energisation after timing	50 ms
Nominal rating	TIMER 814 - 815 : 8 A AC 8 A DC TIMER 812 : 5 A AC 5 A DC
Max. breaking voltage	TIMER 812 - 814 - 815 : 250 V AC 30 V
Maximum power rating (resistive)	TIMER 814 - 815 : 2000 VA - 190 W TIMER 812 : 1250 VA - 120 W
Maximum admissible current	15 A < 0,01 s
Minimum current	TIMER 812 - 814 - 815 : 250 V AC 30 V DC 100 mA
Electrical life at I max., 250 V AC resistive (cycles)	10^5
Max. permitted number of operations at 1 max 250 V AC resistive per hour	600
Mechanical life (operations)	TIMER 812 - 814 - 815 : 5×10^6
Voltage variation	TIMER 814 : + 10 % - 15 %
Immunity from micro power cuts	< 0,03 s
Max. absorbed power	0.5 W / 12 V 1 VA / 24 V 0.5 W / 24 V 3.5 VA / 110 V 1 W / 48 V 11 VA / 220 V
Temperature limits use (°C)	TIMER 812 - 814 - 815 : -10 °C →+60 °C
Temperature limits stored (°C)	TIMER 812 - 814 - 815 : -30 °C →+70 °C
Degree of protection front face	TIMER 812 - 814 - 815 : IP65
Insulation according to standard IEC/EN 61812-1, IEC/EN 60255-5	EN61812-1 - IEC255-5
Protection class according to CEI/EN 60529	■
Mounting Front panel, by clip	■
Mounting base-mounted on socket	■
Material	Self-extinguishing UL 94 grade V0
Weight (g)	TIMER 814 : 100 TIMER 812 - 815 : 140

Accessories

Accessories	Code
8-pin solder-connected plug	25622301
11-pin connector base	25622080

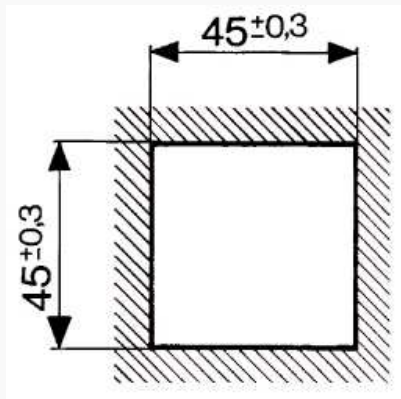
Dimensions (mm)

Timer 812 - 814 - 815

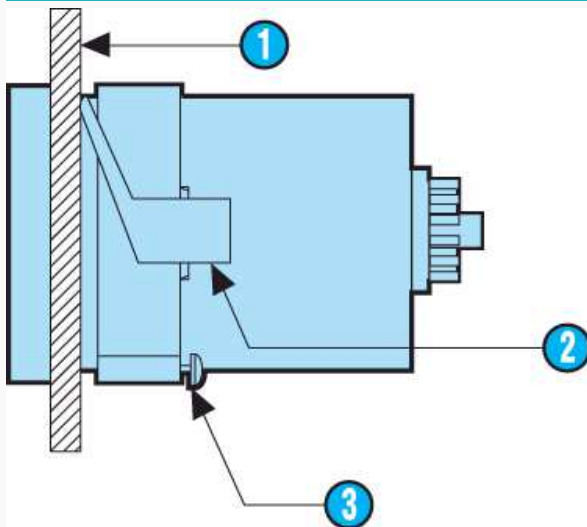


Dimensions (mm)

Panel cut-out



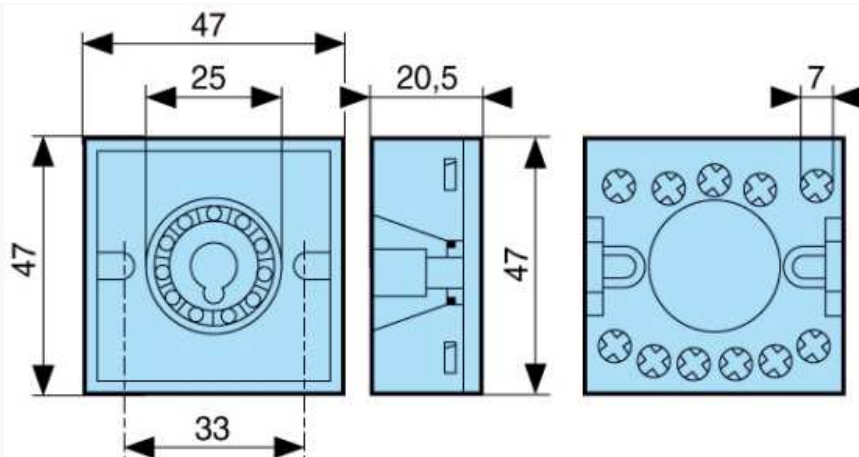
Dimensions (mm)



N°	Legend
①	Panel thickness 1 to 3,5 mm
②	Clip for panel-mounting
③	Positioning screw

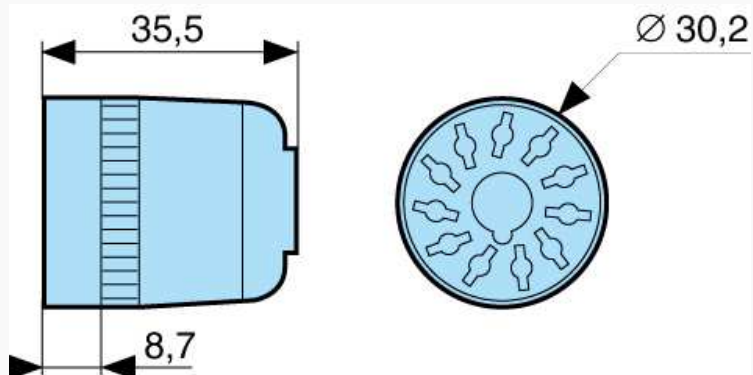
Dimensions (mm)

11-pole rear base
79694002
Panel-mounted



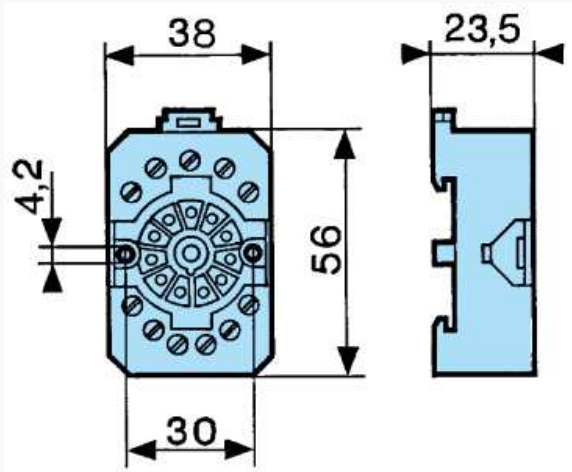
Dimensions (mm)

8-pin or 11-pin solder-connected plug
25622076 - 25622301



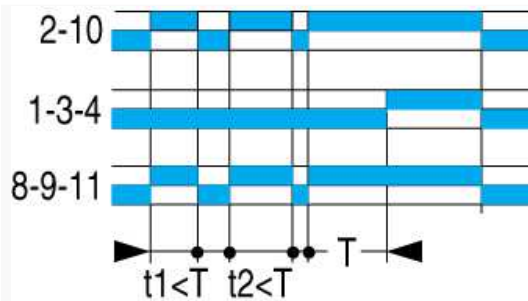
Dimensions (mm)

Connector socket
11-pin 25622080
8-pin 25622130



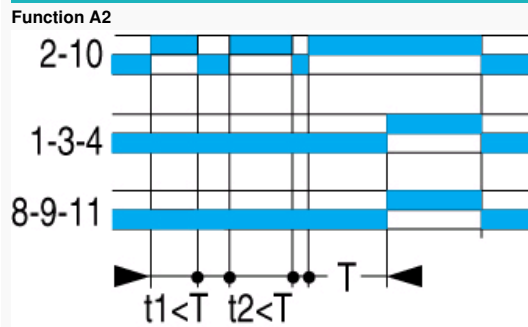
Curves

Function A1



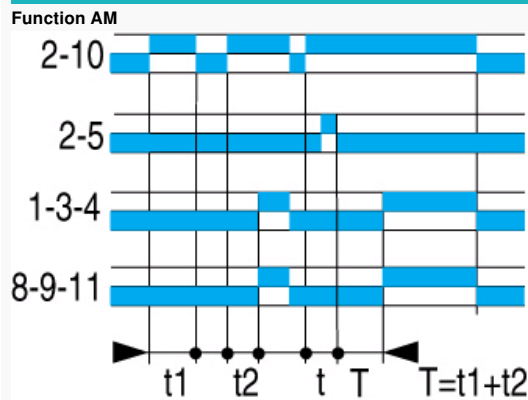
Function A1
Delay on energisation 1 timed relay 1 instantaneous relay

Curves



Function A2
Delay on energisation 2 timed relays

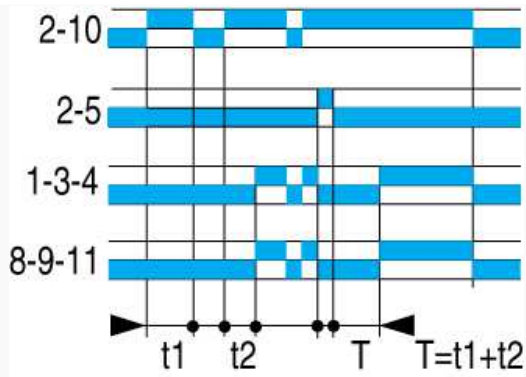
Curves



Function AM
Delay on energisation Memory during timing. Reset

Curves

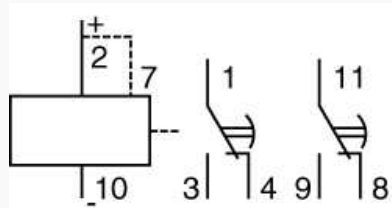
Function AMt



Function AMt
Delay on energisation Memory during and after timing. Reset

Connections

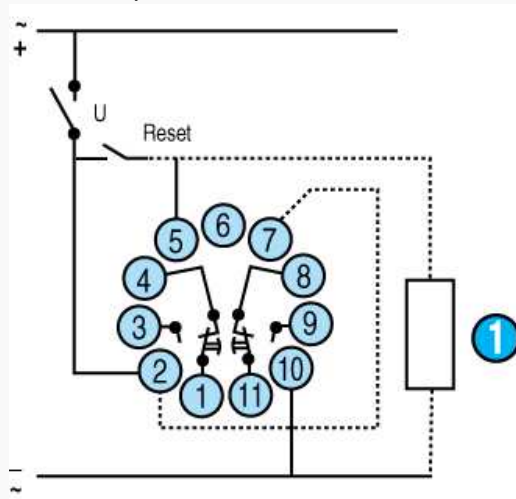
Timer 815 - 11-pin



N°	Legend
	Supply
	Bridge (88 857 301-88 857 302-88 857 307)
1-3-4	Timed output contact
	Timed or instantaneous output contact

Connections


Timer 815 - 11-pin



N°	Legend
	Other loads may be connected in parallel

Connections

CA 88857301

 CA 88857301