



Chipsmall Limited consists of a professional team with an average of over 10 year of expertise in the distribution of electronic components. Based in Hongkong, we have already established firm and mutual-benefit business relationships with customers from,Europe,America and south Asia,supplying obsolete and hard-to-find components to meet their specific needs.

With the principle of “Quality Parts,Customers Priority,Honest Operation,and Considerate Service”,our business mainly focus on the distribution of electronic components. Line cards we deal with include Microchip,ALPS,ROHM,Xilinx,Pulse,ON,Everlight and Freescale. Main products comprise IC,Modules,Potentiometer,IC Socket,Relay,Connector.Our parts cover such applications as commercial,industrial, and automotives areas.

We are looking forward to setting up business relationship with you and hope to provide you with the best service and solution. Let us make a better world for our industry!



Contact us

Tel: +86-755-8981 8866 Fax: +86-755-8427 6832

Email & Skype: info@chipsmall.com Web: www.chipsmall.com

Address: A1208, Overseas Decoration Building, #122 Zhenhua RD., Futian, Shenzhen, China



48 x 48 Digital LED Timer 816 Part number 88857607



Relay output

- Multi-range
- Multi-voltage
- 1 relay output
- Access to programming locked
- Up or down timing mode
- Internal power supply by battery (10 years / 20 °C)

Part numbers

	Type	Functions	Connection	Relay outputs	Supply voltage	Nominal rating
88857607	Timer 816	A, B, C, D, Di, H	Plug-in 8 way	1 timed changeover	24 V ACDC / 110 V AC	8 A

Specifications

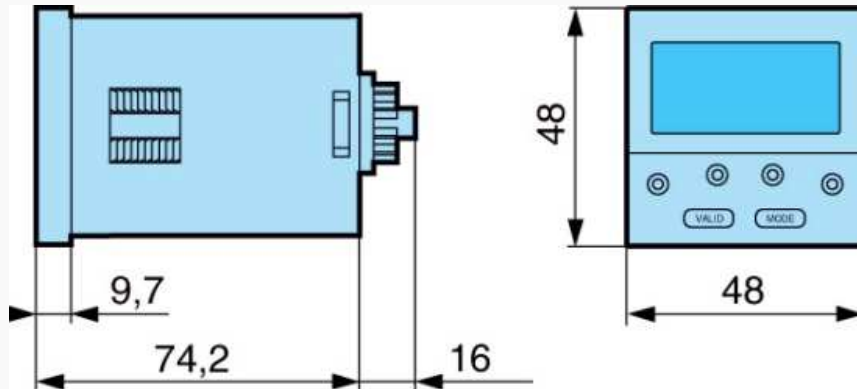
Number of digits	4
Height of digits	7 mm
Timing ranges	99 ■ 99 s 999 ■ 9 s 9999 s 99 mn 59 s 99 ■ 99 mn 999 ■ 9 mn 9999 mn 99 h 59 mn 99 ■ 99 h 999 ■ 9 h 9999 h
Repetition accuracy (with constant parameters)	± 0,03 % ± 20 ms
Display precision	± 0.03 % ± 20 ms
Min. control pulse	50 ms
Maximum reset time by de-energisation during timed delay	50 ms
Maximum reset time by de-energisation after timing	50 ms
Nominal rating	8 A AC 8 A DC
Max. breaking voltage	250 V AC 30 V DC
Maximum power rating (resistive)	2000 VA - 190 W
Maximum admissible current	15 A < 0,01 s
Minimum current	100 mA
Electrical life at I max., 250 V AC resistive (cycles)	10 ⁵
Max. permitted number of operations at 1 max 250 V AC resistive per hour	600
Mechanical life (operations)	5 x 10 ⁶
Voltage variation	+ 10 % - 15 %
Immunity from micro power cuts	< 0,03 s
Maximum power consumption	0.5 W/24 V 1.5 W/48 V 1 VA/24 V 1, 5, VA/48 V 4 VA/110 V 12 VA/230 V
Temperature limits use (°C)	-10 → +60
Temperature limits stored (°C)	-30 → +70
Degree of protection front face	IP65
Insulation according to standard IEC/EN 61812-1, IEC/EN 60255-5	■
Protection class according to CEI/EN 60529	■
Mounting Front panel, by clip	■
Mounting base-mounted on socket	■
Material	Self-extinguishing UL 94 grade V0
Weight (g)	100

Accessories

Accessories	Code
Asymmetrical adaptor A	79 694 005
8-pin solder-connected plug	25 622 301
11-pin solder-connected plug	25 622 076
8-pin solder-connected base	79 694 016

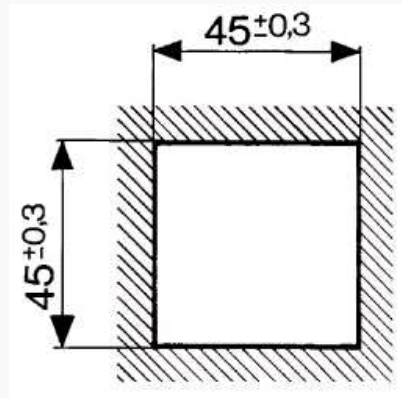
Spring clips (pack of 2)	79237739
11-pin connector base	25622080
8-pin connector socket	25 622 128
11-pin rear base	79 694 002

Dimensions (mm)

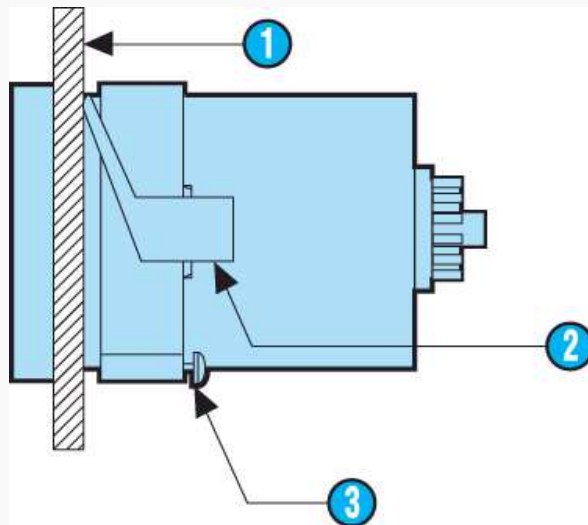


Dimensions (mm)

Panel cut-out



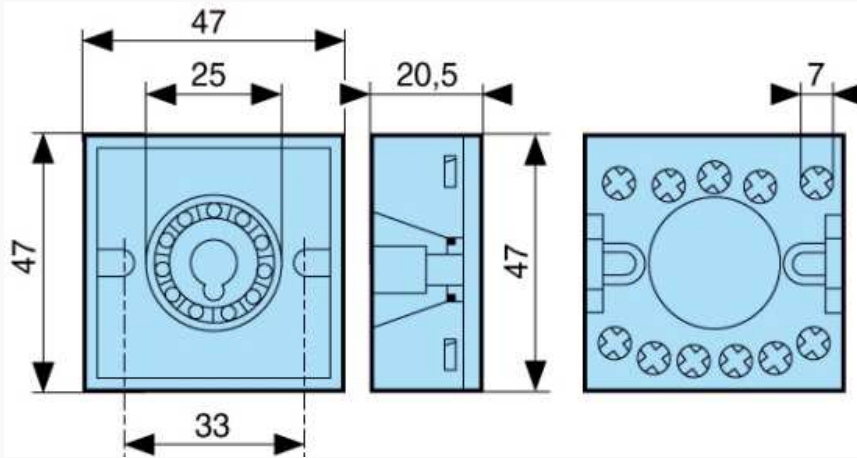
Dimensions (mm)



N°	Legend
①	Panel thickness 1 to 3,5 mm
②	Clip for panel-mounting
③	Positioning screw

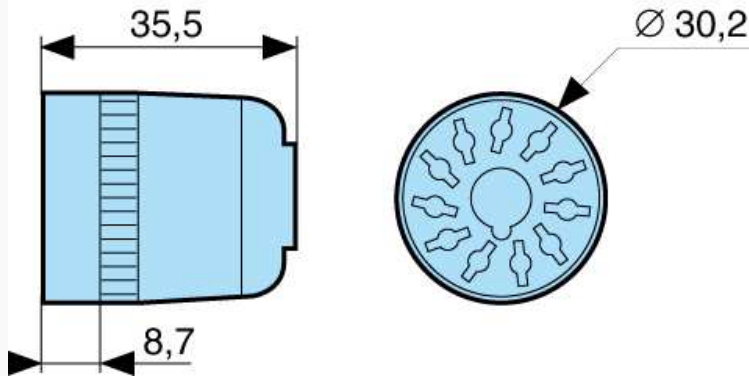
Dimensions (mm)

11-pole rear base panel-mounted
79 694 002



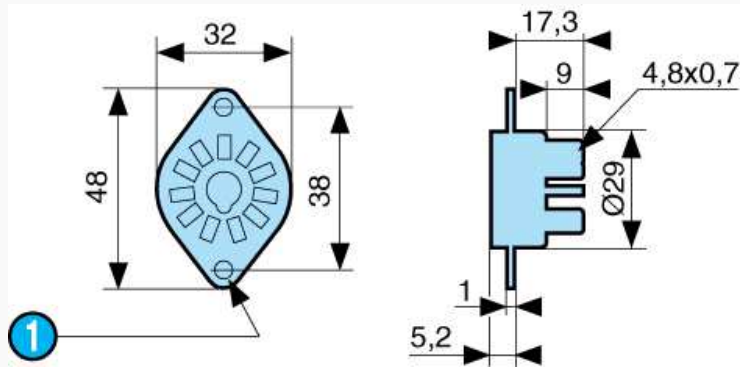
Dimensions (mm)

8-pin or 11-pin solder-connected plug
25 622 076 - 25 622 301



Dimensions (mm)

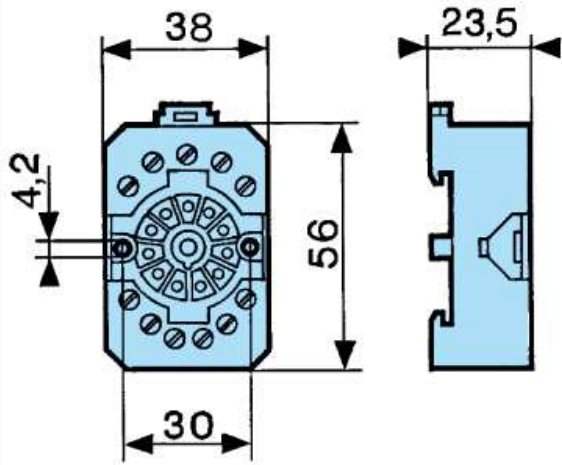
8-pin solder-connected base
79 694 016



N°	Legend
1	2 holes

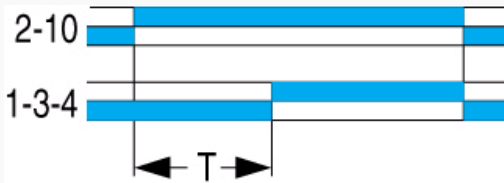
Dimensions (mm)

Connector socket
11-pin 25 622 077
8-pin 25 622 128



Curves

Function A

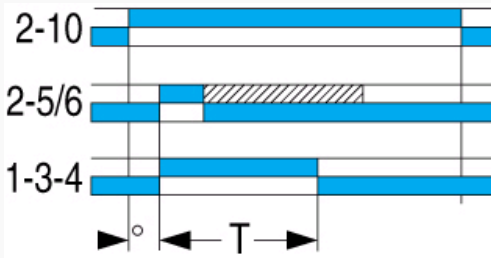


Function A

Delay on energisation
1 timed relay

Curves

Function B

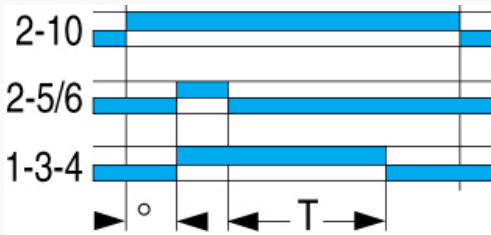


Function B

Timing on impulse (on shot)

Curves

Function C

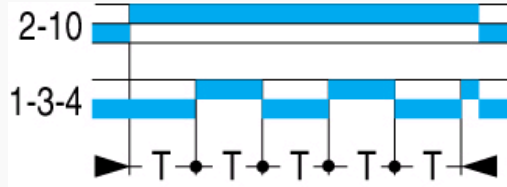


Function C

Timing after impulse (delay off)

Curves

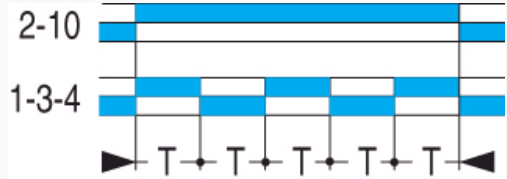
Function D



Function D
Flip-flop

Curves

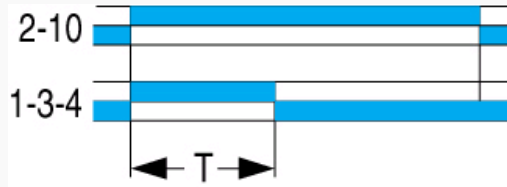
Function Di



Function Di
Flip-flop

Curves

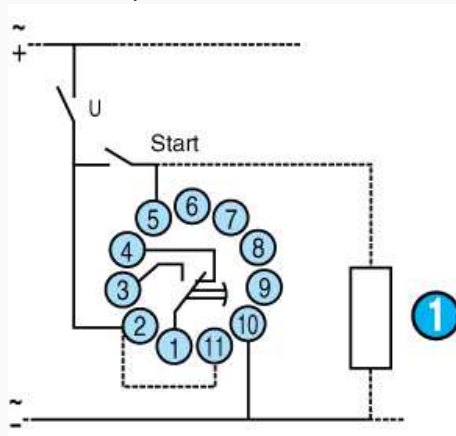
Function H



Function H
Timing or energisation

Connections

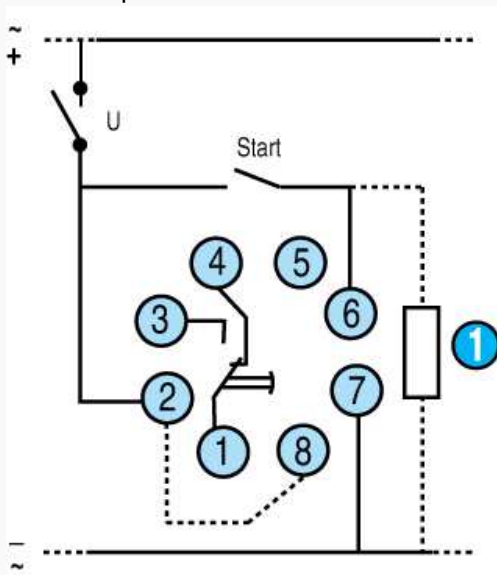
Timer 816 - 11-pin



N°	Legend
①	Other loads may be connected in parallel

Connections

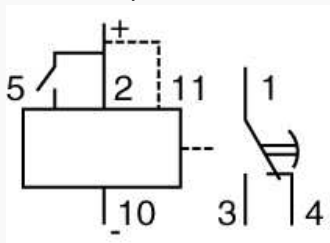
Timer 816 - 8-pin



N°	Legend
①	Other loads may be connected in parallel

Connections

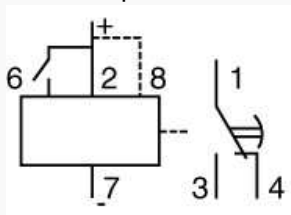
Timer 816 - 11-pin



N°	Legend
2-10	Supply
(2-11)	Bridge for 24 V supply
2-5	Control contact reset
1-3-4	Timed output contact

Connections

Timer 816 - 8-pin




N°	Legend
2-7	Supply
(2-8)	Bridge for 24 V supply
2-6	Control contact reset

1-3-4

Timed output contact

Connections

CA 88857601

 CA 88857601