



Chipsmall Limited consists of a professional team with an average of over 10 year of expertise in the distribution of electronic components. Based in Hongkong, we have already established firm and mutual-benefit business relationships with customers from,Europe,America and south Asia,supplying obsolete and hard-to-find components to meet their specific needs.

With the principle of “Quality Parts,Customers Priority,Honest Operation,and Considerate Service”,our business mainly focus on the distribution of electronic components. Line cards we deal with include Microchip,ALPS,ROHM,Xilinx,Pulse,ON,Everlight and Freescale. Main products comprise IC,Modules,Potentiometer,IC Socket,Relay,Connector.Our parts cover such applications as commercial,industrial, and automotives areas.

We are looking forward to setting up business relationship with you and hope to provide you with the best service and solution. Let us make a better world for our industry!



## Contact us

Tel: +86-755-8981 8866 Fax: +86-755-8427 6832

Email & Skype: info@chipsmall.com Web: www.chipsmall.com

Address: A1208, Overseas Decoration Building, #122 Zhenhua RD., Futian, Shenzhen, China



### 35 mm - 1 Relay 8A OCR1 Part number 88867135



- Multi-function or mono-function
- Multi-range
- Multi-voltage
- Relay output 1 or 2 : 8 A - 250 V (10 A UL)
- LED status indicator
- Option of connecting an external power supply to the control input
- 3-wire sensor control option

#### Part numbers

|          | Type | Functions | Timing    | Output             | Nominal rating | Connections | Supply voltage         |
|----------|------|-----------|-----------|--------------------|----------------|-------------|------------------------|
| 88867135 | OCR1 | C         | 0,1s→100h | 1 changeover relay | 8 A            | 8-pin       | 24 V DC / 24 →240 V AC |

#### Specifications

##### Timing

|   |   |
|---|---|
| Timing ranges (7 ranges)  | 1 s - 10 s - 1 min - 10 min - 1 h - 10 h - 100 h<br>TK2R1 : 0.6s - 2.5s - 20s - 160 s |
| Repetition accuracy with constant parameters                          | ± 0.5 % (IEC/EN 1812-1)   |
| Drift Temperature   | ± 0,05 % / °C   |
| Drift Voltage   | ± 0.2 % / V   |
| Display accuracy according to IEC/EN 61812-1                          | ± 10 % / 25 °C  |
| Minimum pulse duration typically (relay version)                      | 30 ms   |
| Minimum pulse duration typically (solid state version)                | 50 ms   |
| Minimum pulse duration typically (relay version under load)           | 100 ms  |
| Maximum reset time by de-energisation typically (relay version)       | 100 ms  |
| Maximum reset time by de-energisation typically (solid state version) | 350 ms  |
| Immunity from micro power cuts : typical                              | > 10 ms   |
| Supply  |   |
| Multi-voltage power supply  | Depending on version  |
| Frequency (Hz)  | 50 / 60   |
| Operating range   | 85 to 110 % Un<br>(85 to 120 % Un for 12V AC/DC)                                      |
| Operating factor  | 100 %   |
| Max. absorbed power   | 0,6 W 24 V AC/DC<br>1,5 W 230 V AC<br>32 VA 230 V AC                                  |

##### Output specification

|  |  |
|--|--|
| 1 or 2 changeover relays, AgNi (cadmium-free)          | 2000 VA/80 W                                   |
| Rated power  | 2000 VA/80 W                                   |
| Maximum breaking current                               | 8 A AC 8A DC                                   |
| Minimum breaking current                               | 10 mA / 5 V DC                                 |
| Voltage breaking capacity                              | 250 V AC/ DC                                   |
| Electrical life (operations)                           | 10 <sup>5</sup> operations 8 A 250 V resistive |
| Mechanical life (operations)                           | 5x10 <sup>6</sup>                              |
| Breakdown voltage acc. to IEC/EN 61812-1               | 2.5 kV / 1 min / 1 mA / 50 Hz                  |
| Impulse voltage acc. to IEC/EN 60664-1, IEC/EN 61812-1 | 5 kV, wave 1.2 / 50 µs                         |

##### Solid state output

|  |   |
|--|---|
| Rated power  | 0,7 A AC/DC<br>20 °C (0,5 A UL)   |
| Derating   | 5 mA / °C   |
| Maximum admissible current                               | 20 A ≤ 10 ms  |
| Minimum breaking current                                 | 10 mA   |
| Leakage current  | < 5 mA  |
| Voltage breaking capacity                                | 250 V AC/ DC  |
| Maximum voltage drop at terminals                        | 3 wire 4V - 2 wire 8V   |
| Electrical life (operations)                             | 10 <sup>8</sup>   |
| Mechanical life (operations)                             | 10 <sup>8</sup>   |
| Breakdown voltage acc. to IEC/EN 60664-1, IEC/EN 60255-5 | 2.5 kV to 1 mA / 1 min  |
| Input type   | Volt-free contact<br>3-wire PNP output control option residual voltage : 0.4V whatever the timer power supply |

#### General characteristics

|  |  |
|--|--|
| Conformity to standards  | IEC/EN 61812-1<br>IEC/EN 61000-6-1<br>IEC/EN 61000-6-2<br>IEC/EN 61000-6-3<br>IEC/EN 61000-6-4 |
| Certifications   | CE, UL, cUL, CSA, GL   |
| Temperature limits use (°C)  | -20 → +60  |
| Temperature limits stored (°C)   | -30 → +60  |
| Installation category<br>(acc. to IEC/EN 60664-1)  | Voltage surge category   |
| Creepage distance and clearance acc. to IEC/EN 60664-1                                       | 4 kV / 3   |
| Protection (IEC/EN 60529)  | IP 20<br>IP 40   |
| Degree of protection acc. to IEC/EN 60529 Front face<br>(except Tk2R1)                       | IP 50  |
| Vibration resistance<br>acc. to IEC/EN 60068-2-6   | f = 10 ■ 55 Hz<br>A = 0,35 mm  |
| Relative humidity no condensation acc. to IEC/EN 60068-2-30                                  | 93 % sans condensation   |
| Electromagnetic compatibility - Immunity to electrostatic discharges acc to IEC/EN 61000-4-2 | Level III (Air 8 KV / Contact 6 KV)  |
| Immunity to radiated, radio-frequency, electromagnetic field acc. IEC/EN 61000-4-3           | Level III 10V/m (80 M Hz to 1 G Hz)  |
| Immunity to rapid transient bursts acc. to IEC/EN 61000-4-4                                  | Level III (direct 2kV / Capacitive coupling clamp 1 KV)  |
| Immunity to shock waves on power supply acc. to IEC/EN 61000-4-5                             | Level III (2 KV / common mode 2 KV/residual current mode 1KV)                                  |
| Immunity to radio frequency in common mode acc. to IEC/EN 61000-4-6                          | Level III (10V rms : 0.15 M Hz to 80 M Hz)   |
| Immunity to voltage dips and breaks acc. to IEC/EN 61000-4-11                                | 30 %/10 ms<br>60 %/100 ms ><br>95 %/5 s  |
| Mains-borne and radiated emissions acc. to EN 55022 (CISPR22), EN55011 (CISPR11)             | Class B  |
| Fixing : Symmetrical DIN rail  | 35 mm  |
| Connection capacity - without ferrule  | 2 x 2,5 mm <sup>2</sup>  |
| Connection capacity - with ferrule   | 2 x 1,5 mm <sup>2</sup>  |
| Spring terminals, 2 terminals per connection point - flexible wire                           | 1,5 mm <sup>2</sup>  |
| Spring terminals, 2 terminals per connection point - rigid wire                              | 2,5 mm <sup>2</sup>  |
| Housing material   | Self-extinguishing   |
| Weight : casing 17,5 mm  | 60 g   |
| Weight : casing 22,5 mm  | 90 g   |
| Weight : plug-in casing  | 80 g   |

80

### Accessories

| Accessories          | Code       |
|----------------------|------------|
| 8-pin connector base | 25 622 128 |

### Display

State displayed by 1 LED

- Flashing green when on
- Green LED operation indicator

Pulsing :

- timer on, no timing in progress (except functions Di-D and Li-L)

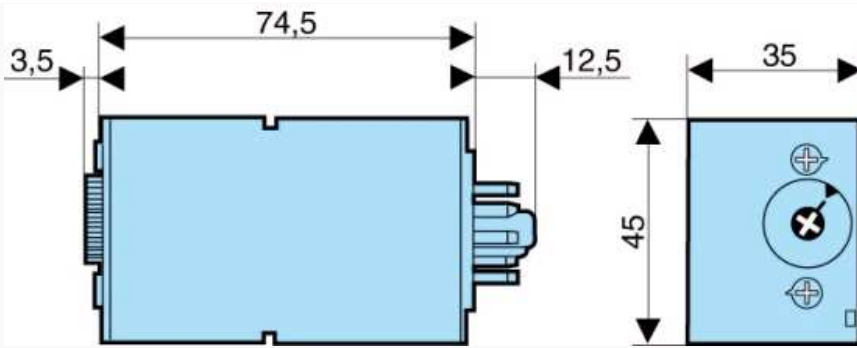
Flashing :

- timing in progress

Permanently lit :

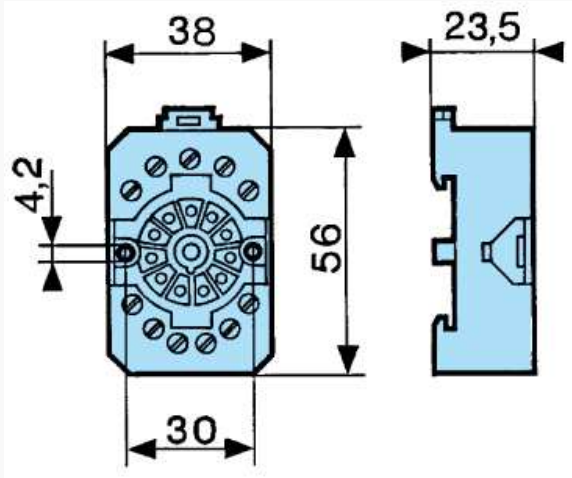
- Relay waiting, no timing in progress

### Dimensions (mm)



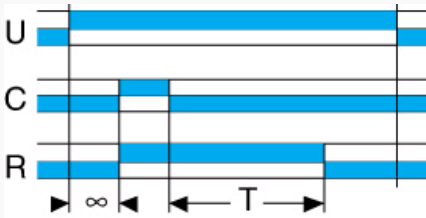
**Dimensions (mm)**

**Accessories**



**Curves**

**Function C**

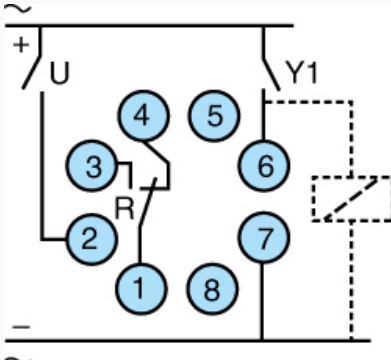


**Function C**

Timing after impulse 1 timer

**Connections**

**8-pin 1 relay output**



|                  |
|------------------|
| <b>Functions</b> |
|------------------|

|  |
|--|
| Functions A - At / H - Ht / B / C / Di - D / Ac / Bw |
|--|