



Chipsmall Limited consists of a professional team with an average of over 10 year of expertise in the distribution of electronic components. Based in Hongkong, we have already established firm and mutual-benefit business relationships with customers from,Europe,America and south Asia,supplying obsolete and hard-to-find components to meet their specific needs.

With the principle of "Quality Parts,Customers Priority,Honest Operation,and Considerate Service",our business mainly focus on the distribution of electronic components. Line cards we deal with include Microchip,ALPS,ROHM,Xilinx,Pulse,ON,Everlight and Freescale. Main products comprise IC,Modules,Potentiometer,IC Socket,Relay,Connector.Our parts cover such applications as commercial,industrial, and automotives areas.

We are looking forward to setting up business relationship with you and hope to provide you with the best service and solution. Let us make a better world for our industry!



Contact us

Tel: +86-755-8981 8866 Fax: +86-755-8427 6832

Email & Skype: info@chipsmall.com Web: www.chipsmall.com

Address: A1208, Overseas Decoration Building, #122 Zhenhua RD., Futian, Shenzhen, China



48 x 48 Analog TMR 48 X Part number 88886116



- Multi-function or mono-function
- Multi-range from 0.02 s to 300 h
- Multi-voltage 12 to 240 VDC / 24 to 240 V AC
- Time setting displayed on dial
- 2 changeover relays 5 A / 250 VAC
- Display of power and output states by 2 LEDs
- Housing 48 x 48 mm

Part numbers

	Type	Max. breaking current	Functions	Connection	Relay outputs	Supply voltage
88886116	TMR 48 X	5 A / 250 VAC	A1, A2, H1, H2, Q1, Q2, D-Di	Plug-in 8 way	2 changeover or 1 timed and 1 instantaneous	12 →240 VDC 24 →240 VAC

Specifications

Supply voltage Un	12 →240 VDC 24 →240 V AC
Operating range	± 10 % DC supply - 15 % / + 10 % AC supply
Frequency	50 / 60 Hz
Power consumption	4.8 VA / 230 VAC 2.5 VA / 110 VAC 1.1 VA / 24 VAC 0.5 W / 24 VDC 0.8 W / 12 VDC
Timing ranges (14 available options)	0,02 →1,2 s 0,05 →3 s 0,2 →12 s 0,5 →30 s 2 →120 s 5 →300 s 0,2 →12 min. 0,5 →30 min. 2 →120 min. 5 →300 min. 0,2 →12 h 0,5 →30 h 2 →120 h 5 →300 h
Repetition accuracy	± 0.5 % of full scale at 25 °C (typical with constant parameters)
Temperature drift according to CEI/EN 61812	± 0.05 % of full scale
Display precision	± 5 % of full scale at 25 °C
Minimum pulse duration START	25 ms
Minimum pulse duration GATE	60 ms
Minimum pulse duration RESET	60 ms
Retard à la disponibilité par coupure de tension (START strappé)	50 ms
Nominal rating	2 x 5 A
Nominal insulation voltage	250 VAC
Rated power (resistive load)	2000 VA
Minimum current	10 mA
Electrical life at I max. 250 V AC resistive (number of operations)	10 ⁵
Mechanical life (operations)	30 x 10 ⁶
Display of output state by 2 LEDs	Green : power ON flashing during timing Yellow : ON output ON OFF output OFF
Operating temperature range (°C)	-20 →+55
Storage temperature range (°C)	-40 →+70
Breakdown voltage	2 KV
Protection class (IEC 60529) - Panel-mounted	IP 50
Protection class (IEC EN/60529) - Casing	IP 40
Housing material	self-extinguishing
Weight (g)	140

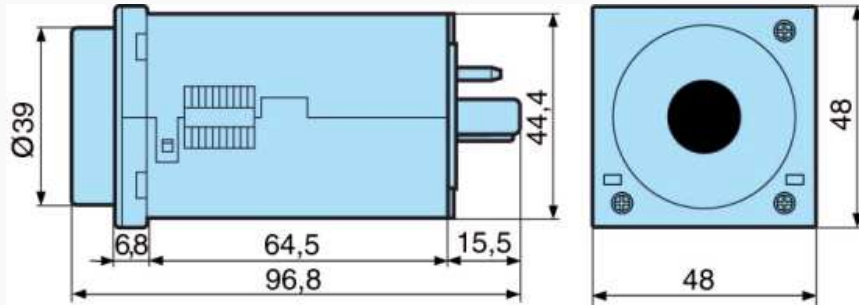
Accessories

Accessories	Code

11-pin connector base	25622080
8-pin connector base	25622130
Spring clips (pack of 2)	79237739
*** TRADUCTION MANQUANTE ***	•

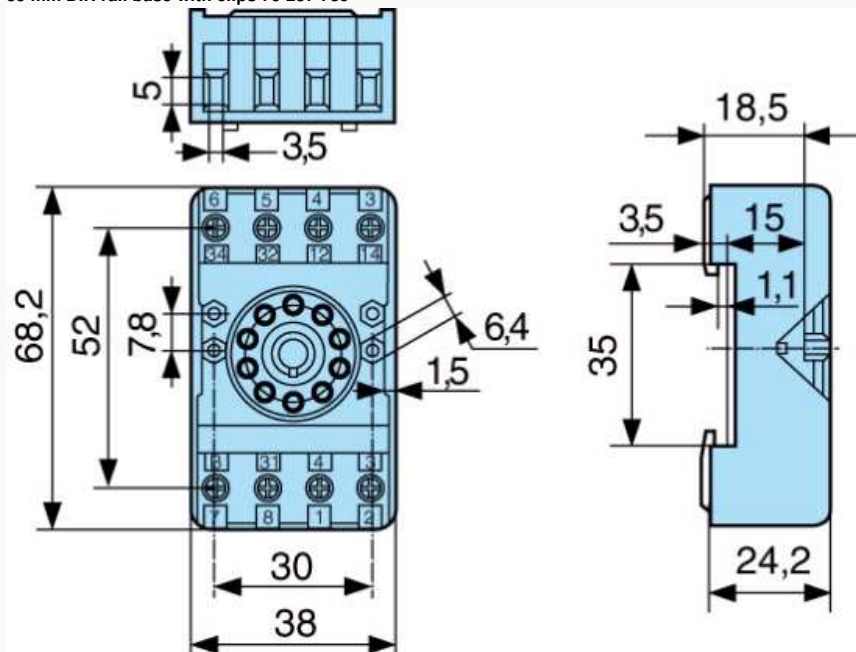
Dimensions (mm)

TMR 48 U / A / X / L



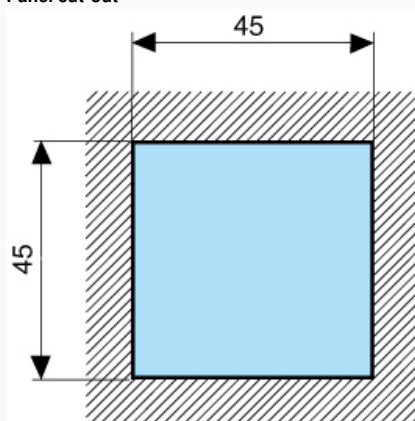
Dimensions (mm)

35 mm DIN rail base with clips 79 237 739



Dimensions (mm)

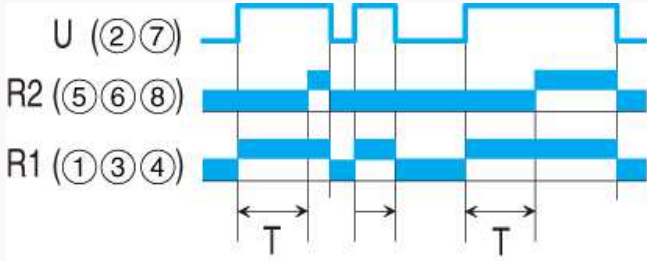
Panel cut-out



Curves

Function A1

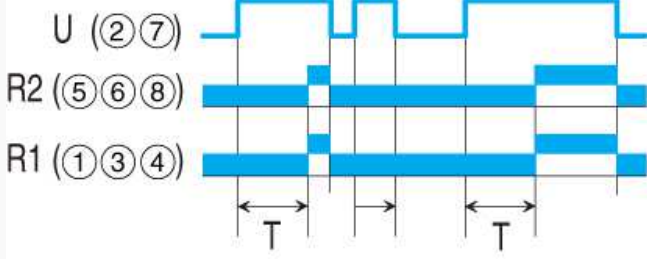
Delay on energisation



Curves

Function A2

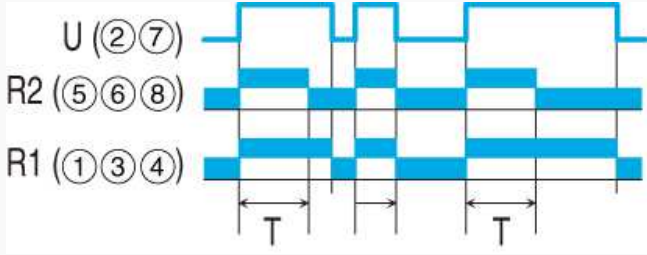
Delay on energisation



Curves

Function H1

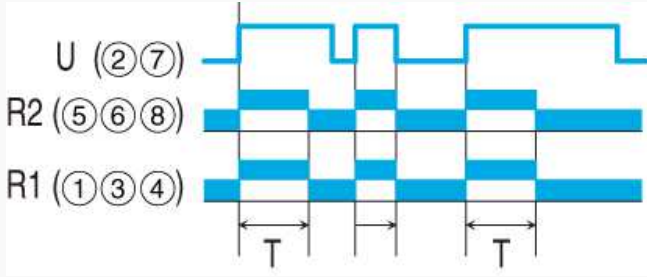
Timing on energisation



Curves

Function H2

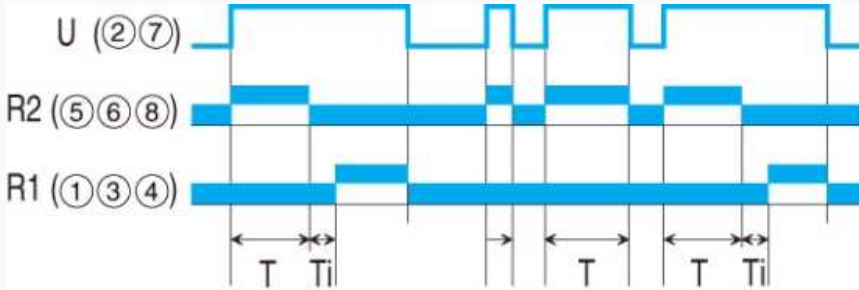
Timing on energisation



Curves

Function Q1

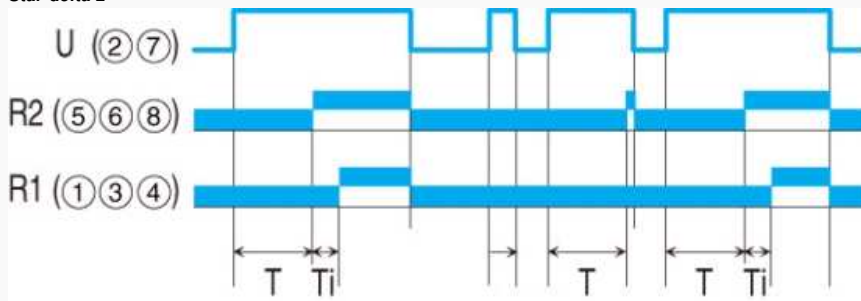
Star-delta



Curves

Function Q2

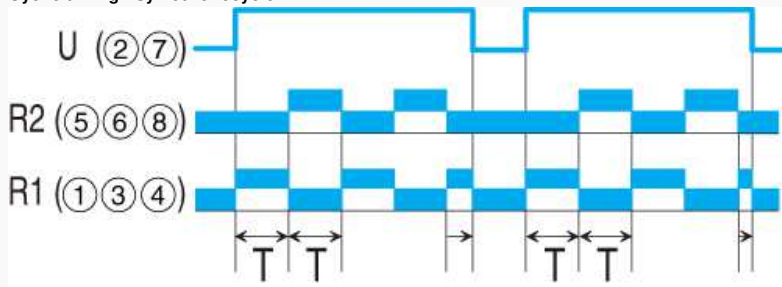
Star-delta 2



Curves

Function D-Di

Cyclic timing : symetric recycler



Connections

TMR 48 X

