



Chipsmall Limited consists of a professional team with an average of over 10 year of expertise in the distribution of electronic components. Based in Hongkong, we have already established firm and mutual-benefit business relationships with customers from,Europe,America and south Asia,supplying obsolete and hard-to-find components to meet their specific needs.

With the principle of “Quality Parts,Customers Priority,Honest Operation,and Considerate Service”,our business mainly focus on the distribution of electronic components. Line cards we deal with include Microchip,ALPS,ROHM,Xilinx,Pulse,ON,Everlight and Freescale. Main products comprise IC,Modules,Potentiometer,IC Socket,Relay,Connector.Our parts cover such applications as commercial,industrial, and automotives areas.

We are looking forward to setting up business relationship with you and hope to provide you with the best service and solution. Let us make a better world for our industry!



Contact us

Tel: +86-755-8981 8866 Fax: +86-755-8427 6832

Email & Skype: info@chipsmall.com Web: www.chipsmall.com

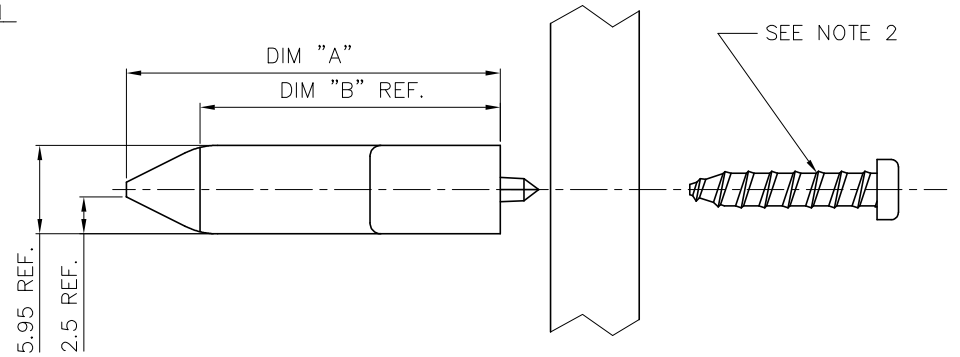
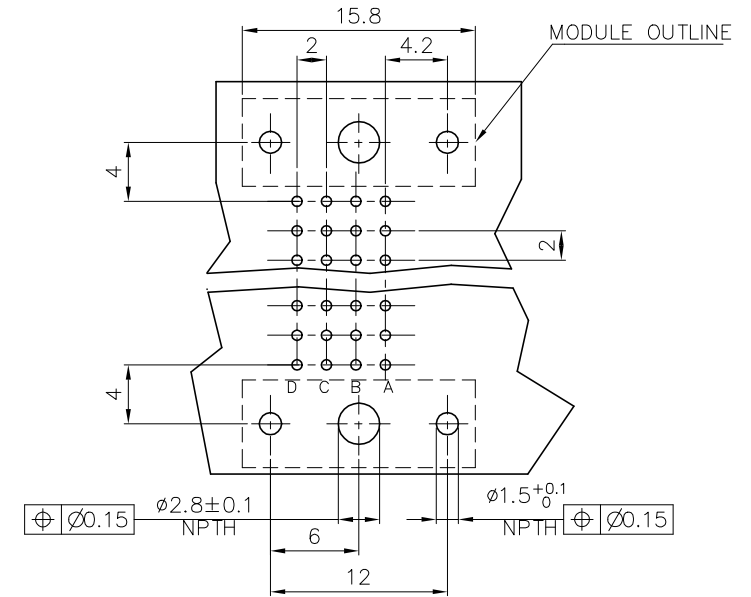
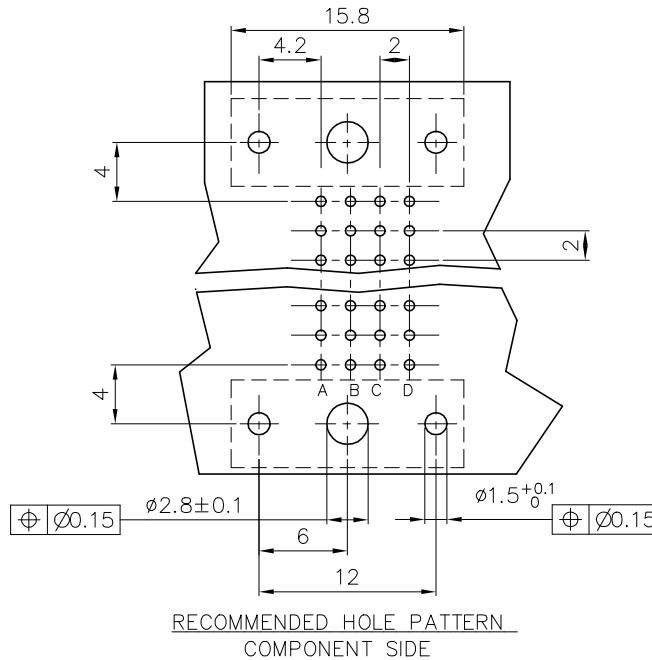
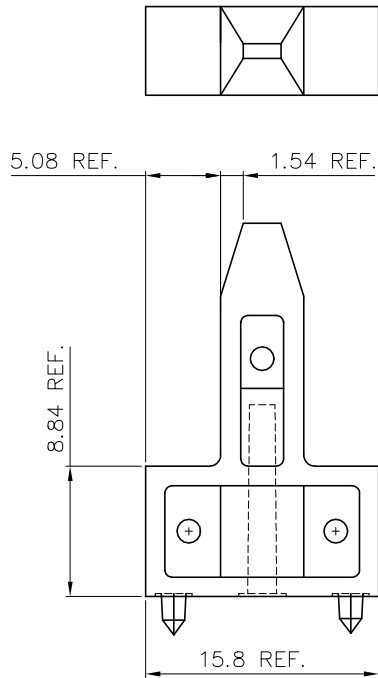
Address: A1208, Overseas Decoration Building, #122 Zhenhua RD., Futian, Shenzhen, China



PRODUCT NUMBER	DIM "A"	DIM "B"
88910-011	25.30 REF.	20.36 REF.
88910-012	33.15 REF.	28.06 REF.
88910-011LF	25.30 REF.	20.36 REF.
88910-012LF	33.15 REF.	28.06 REF.

1. MODULE LOCATION FOR PLUG-IN UNITS
WITH COMPONENTS MOUNTED ON THE RIGHT HAND SIDE

2. MODULE LOCATION FOR CP
WITH COMPONENTS MOUNTED ON THE LEFT HAND SIDE



NOTES:

1. MATERIAL: NYLON 6/12, 30% GF, NATURALLAME; RETARDANT ACC. UL-94-V0
2. SCREW INFORMATION;
#2-28 X 9/16" LONG, PLASTITE SELF-TAPPING, SINGLE HELIX, TORX DRIVE PAN HEAD SCREW, STEEL W/ZINC PLATING AND CLEAR CHROMATE FINISH. SUPPLIED WITH MODULE "TORX SCREW REQUIRES SIZE T7 DRIVER".
3. THE PRODUCTS WHERE THE PART NUMBERS END IN LF, MEET THE EUROPEAN UNION DIRECTIVES AND OTHER COUNTRY REGULATIONS AS DESCRIBED IN GS-22-008.
4. THESE PRODUCTS LISTED ON THIS DRAWING WILL NOT WITHSTAND WAVE SOLDER OR REFLOW OPERATIONS.
5. FOR LEADFREE PART NUMBERS, ADD AN 'LF' SUFFIX. EXAMPLE: 88910-011LF

mat'l. code				surface		tolerance		projection		product family	
				ISO 1302		ISO 406/ISO 1101		mm		METRAL(tm) HPL559	
ltr	ecn no	dr	date	tolerances unless otherwise specified				mm		title	
A	V22531	SCS	920717	.0±.3				mm		RAMPING MODULE	
B	V30024	SCS	930114	.00±.13				mm		CONNECTOR	
C	V80745	MDF	04/17/98	0±2°				scale 2:1		dwg no	
D	V90647	MDF	03/12/99	dr	STU	STONER	920129	Amphenol FCI		sheet 1 of 1 size	
E	V06-0245	JRV	03/13/06	eng	STU	STONER	920129	88910		A4	
F	V06-0609	DCH	06/22/06	chr	STU	STONER	920129	type		Product Customer Drawing	
G	ELX-N-26961	NICK	05/11/17	appd	STU	STONER	920129				
sheet	revision	G									
index	sheet	ALL									