



Chipsmall Limited consists of a professional team with an average of over 10 year of expertise in the distribution of electronic components. Based in Hongkong, we have already established firm and mutual-benefit business relationships with customers from,Europe,America and south Asia,supplying obsolete and hard-to-find components to meet their specific needs.

With the principle of “Quality Parts,Customers Priority,Honest Operation,and Considerate Service”,our business mainly focus on the distribution of electronic components. Line cards we deal with include Microchip,ALPS,ROHM,Xilinx,Pulse,ON,Everlight and Freescale. Main products comprise IC,Modules,Potentiometer,IC Socket,Relay,Connector.Our parts cover such applications as commercial,industrial, and automotives areas.

We are looking forward to setting up business relationship with you and hope to provide you with the best service and solution. Let us make a better world for our industry!



Contact us

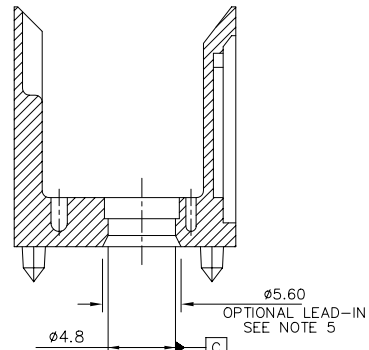
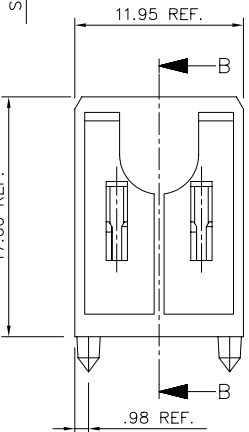
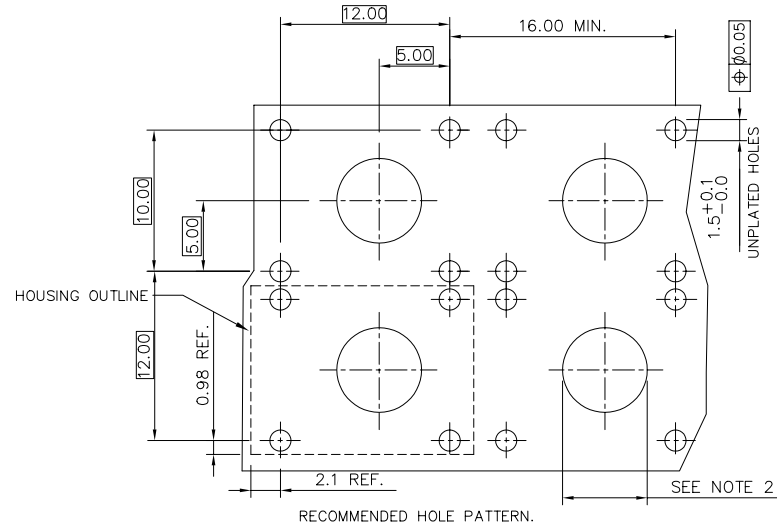
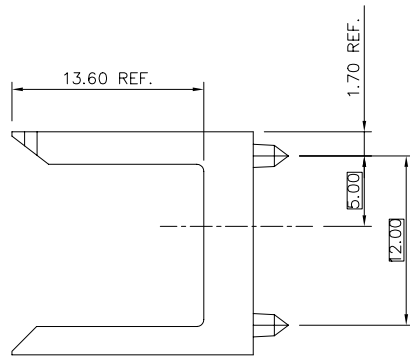
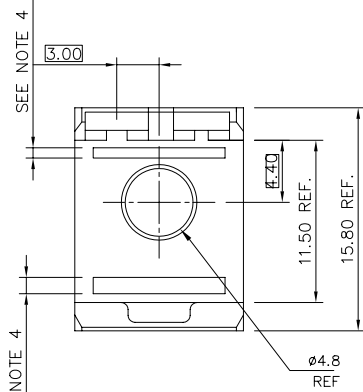
Tel: +86-755-8981 8866 Fax: +86-755-8427 6832

Email & Skype: info@chipsmall.com Web: www.chipsmall.com

Address: A1208, Overseas Decoration Building, #122 Zhenhua RD., Futian, Shenzhen, China



PRODUCT NUMBER	NOTES
88911-101	NOTE 6
88911-201	NOTE 3 & 6
88911-301	NOTE 5 & 6



SECTION B-B

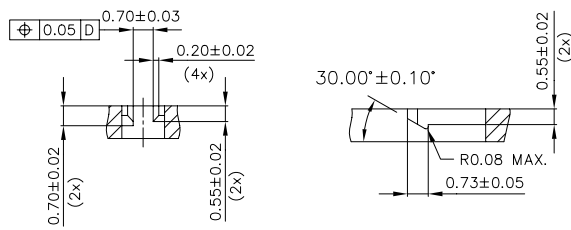
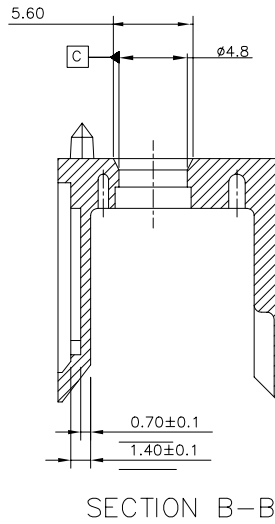
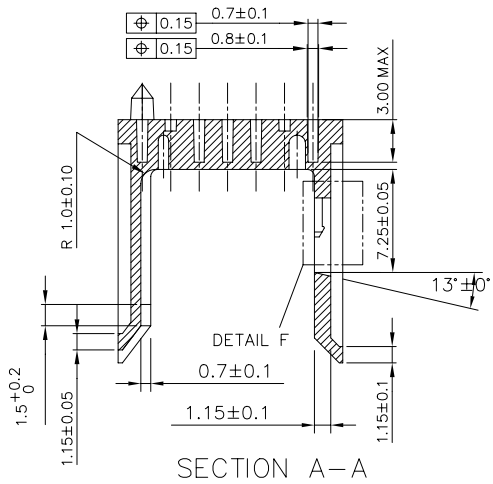
NOTES:

- MATERIAL-LIQUID CRYSTAL POLYMER 30% GLASS FLAME RETARDANT ACC. UL 94-V0 COLOR NATURAL
- WHEN USED WITH GUIDE PIN, HOLE DIAMETER TO BE 3.25 ± 0.10 AND UNPLATED.
-WHEN USED WITH STR. SCREW-TO-BOARD HIGH POWER INSERT, HOLE DIAMETER TO BE 3.25 ± 0.10 AND PLATED WITH 5.00 MIN. PAD DIAMETER.
-WHEN USED WITH A PLUG/PLUG HIGH POWER COUPLER OR A RECEPTACLE/RECEPTACLE COAX COUPLER, HOLE DIAMETER TO BE $6.00 + 0.10 / - 0.00$ AND UNPLATED.
- TO BE USED WITH PRESS-FIT COAX SOCKETS.
- CORING OPTIONAL AT DISCRETION OF MANUFACTURER.
- P/N 88911-301 HAS 5.60 DIAMETER LEAD-IN CHAMFER ALL OTHER DIMENSIONS ARE THE SAME.
- ADD "LF" SUFFIX AT THE END OF PART NUMBER FOR LEAD FREE OPTION.

- THIS PRODUCT MEETS EUROPEAN UNION DIRECTIVES AND OTHER COUNTRY REGULATION AS DESCRIBED IN GS-22-008.
- THE HOUSING WILL WITHSTAND EXPOSURE TO 260°C PEAK TEMPERATURE FOR 15 SECONDS IN A WAVE SOLDER APPLICATION WITH A 1.5mm MINIMUM THICK CIRCUIT BOARD OR FOR 10-20 SECONDS IN A CONVECTION, INFRA-RED OR VAPOR PHASE REFLOW OVEN. SEE APPLICATION NOTES/PROCEDURES IF THEY ARE AVAILABLE

mat'l. code SEE NOTE 1	surface ISO 1302 ✓	tolerance ISO 406 ISO 1101	projection mm	product family METRAL (tm)
ltr E	ecn v70809	ndr MDF	date 5/14/97	title HYBRID HEADER HOUSING-12MM
F	v80738	MDF	4/16/98	scale 1:1
G	v01977	JRW	8/11/00	
H	v11651	LSS	6/05/01	dwg no 88911
J	v03-1116	LP	10/13/03	sheet 1 of 2 size A3
K	M05-0224	MHT	10/25/05	type Product Customer Drawing
L	M06-0286	MNR	7/27/06	
sheet index	revision	L	L	
	sheet	1	2	

PRODUCT NO
88911-301



DETAIL F
SCALE 2:1

mat'l. code		surface		tolerance		projection		product family	
-		ISO 1302 ✓		ISO 406 ISO 1101				METRAL (tm)	
ltr		ecn no		date		tolerances unless otherwise specified		title	
L						angles linear xx ±.01/.3 xxx ±.005/.13 σ±2' xxxx ±.0020/.050		HYBRID HEADER HOUSING-12MM	
						scale 1:1		dwg no	
								sheet 2 of 2 size	
				dr		STU STONER 3/24/92		88911 A3	
				enr		R. DOUTRICH 3/24/92		type	
				chr		STU STONER 3/24/92		Product Customer Drawing	
				appd		STU STONER 3/24/92			
sheet index		revision sheet							

Copyright FCI
 FCJconnect.com