



Chipsmall Limited consists of a professional team with an average of over 10 year of expertise in the distribution of electronic components. Based in Hongkong, we have already established firm and mutual-benefit business relationships with customers from,Europe,America and south Asia,supplying obsolete and hard-to-find components to meet their specific needs.

With the principle of “Quality Parts,Customers Priority,Honest Operation,and Considerate Service”,our business mainly focus on the distribution of electronic components. Line cards we deal with include Microchip,ALPS,ROHM,Xilinx,Pulse,ON,Everlight and Freescale. Main products comprise IC,Modules,Potentiometer,IC Socket,Relay,Connector.Our parts cover such applications as commercial,industrial, and automotives areas.

We are looking forward to setting up business relationship with you and hope to provide you with the best service and solution. Let us make a better world for our industry!



Contact us

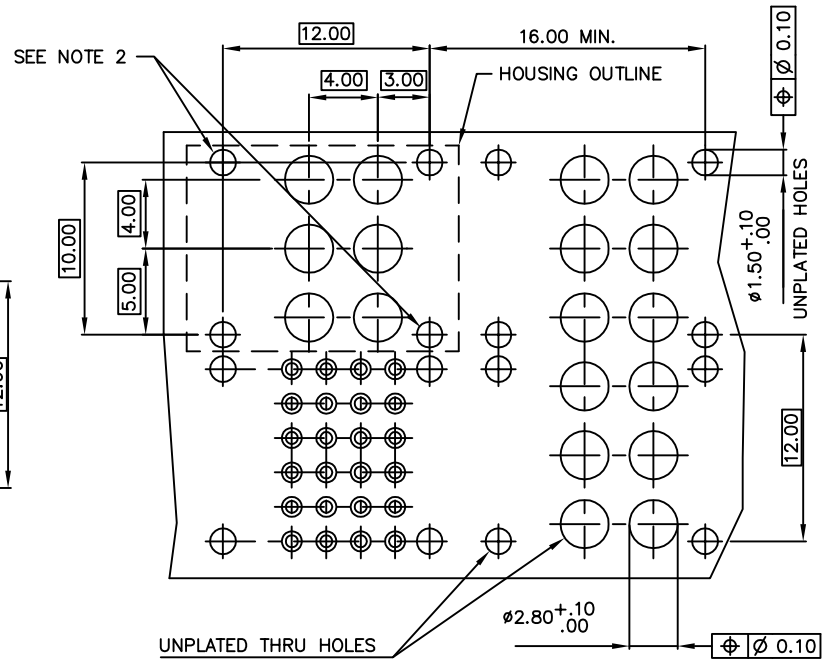
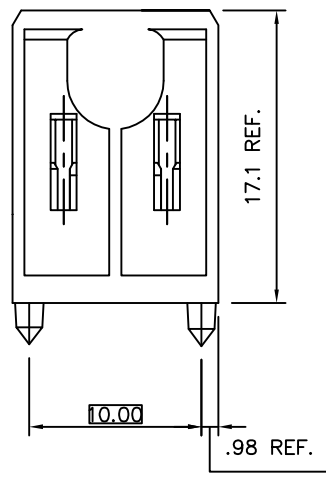
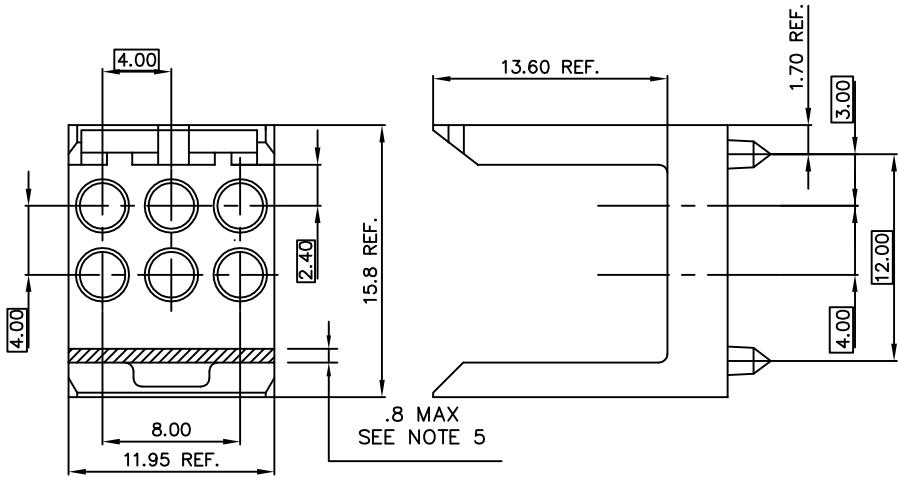
Tel: +86-755-8981 8866 Fax: +86-755-8427 6832

Email & Skype: info@chipsmall.com Web: www.chipsmall.com

Address: A1208, Overseas Decoration Building, #122 Zhenhua RD., Futian, Shenzhen, China



PRODUCT NUMBER
88913-101LF



RECOMMENDED HOLE PATTERN COMPONENT SIDE
2MM SIGNAL HOLE PATTERN SHOWN FOR REFERENCE ONLY

- NOTES:
1. MATERIAL: LCP, 30% GLASS FILLED
COLOR: NATURAL
FLAME RETARDANT ACC. UL 94-V0
 2. THESE HOLES NEEDED WHEN USED IN A CENTER PLANE APPLICATION WITH A HYBRID ON EACH SIDE OF THE CENTER PLANE.
 3. THE -101LF (SHEET 1) HOUSING IS TO BE USED WITH MINI-COAX PLUG/PLUG INSERTS, 70296-002LF.
 4. THE -111LF (SHT 2) AND -121LF (SHT 3) HOUSING, IS TO BE USED WITH MINI-COAX INSERTS 88971 OR 88978.
 5. THIS AREA MAY CONTAIN IDENTIFICATION SUCH AS MOLD NUMBER, MOLD CAVITY NUMBER AND/OR MANUFACTURING LOCATION.

6. PART NUMBER WITH "LF" SUFFIX AT THE END IS LEAD FREE.

7. THIS PRODUCT MEETS EUROPEAN UNION DIRECTIVES AND OTHER COUNTRY REGULATION AS DESCRIBED IN GS-22-008.

8. THE HOUSING WILL WITHSTAND EXPOSURE TO 260°C PEAK TEMPERATURE FOR 15 SECONDS IN A WAVE SOLDER APPLICATION WITH A 1.5mm MINIMUM THICK CIRCUIT BOARD OR FOR 10-20 SECONDS IN A CONVECTION, INFRA-RED OR VAPOR PHASE REFLOW OVEN. SEE APPLICATION NOTES/PROCEDURES IF THEY ARE AVAILABLE.

mat'l. code		surface		tolerance		projection		product family	
SEE NOTES		ISO 1302		ISO 406		MM		METRAL ACC	
				ISO 1101					
		tolerances unless otherwise specified						title	
Ltr	ecn no	dr	date	angles	linear			12mm MINI-HYBRID HEADER HOUSING	
H	V20777	CGD	4/23/02		.0±.3				
J	V21256	CGD	6/24/02		.00±.13				
K	V21707	TAB	10/30/02	0°±2'	.000±.0051	scale 1:1			
L	J03-0127	PJ	01/03/04	dr	S.STONER	6/11/92		dwg no	
M	M06-0055	MHT	2/01/06	enrg	R.DOUTRICH	6/11/92		sheet 1 of 3	
N	M06-0277	MHT	7/22/06	chr	S.STONER	6/11/92		size	
P	DG10-0263	TER	2010-07-15	appd	S.STONER	6/11/92		A3	
sheet		revision		P		P		FCJ	
index		sheet		1		2		3	

PDM: Rev:P

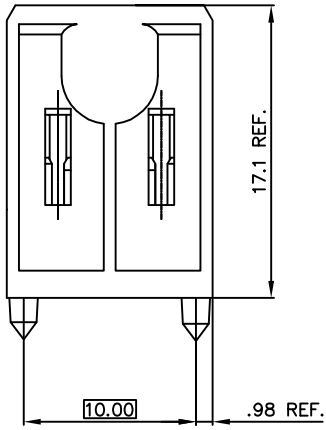
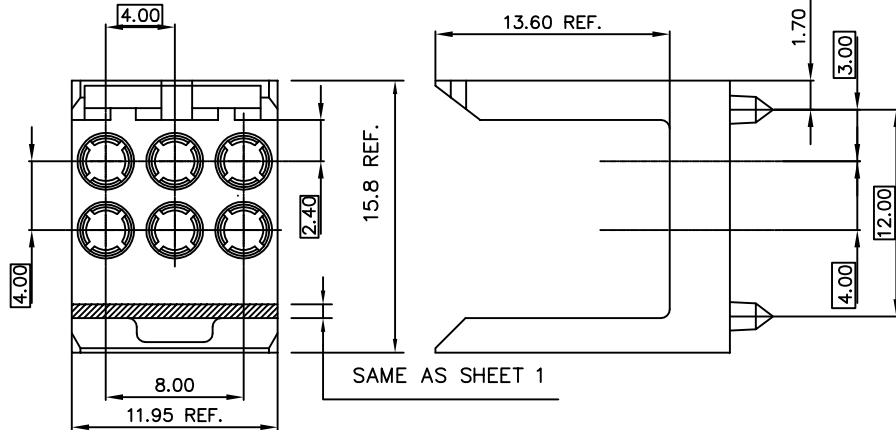
STATUS: Released

Printed: Jul 16, 2010

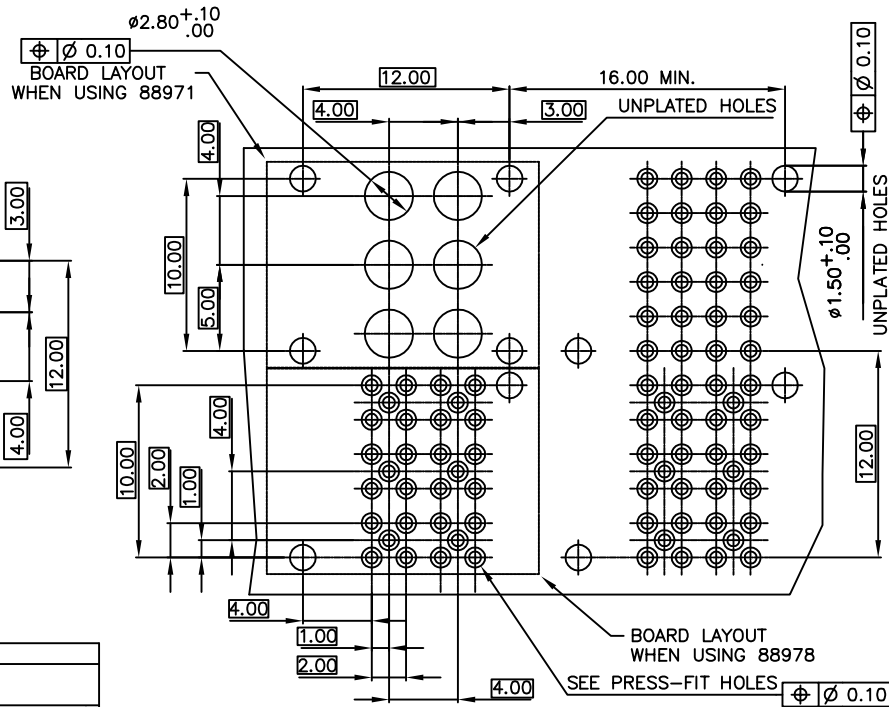


Copyright FCI

PRODUCT NUMBER
88913-111LF



PRESS-FIT HOLES	
HOLE DIAMETER AFTER PLATING	0.65 - 0.80
DRILLED HOLE	0.81 - 0.86 (0.85 DRILL)
COPPER PLATING	0.025 MIN.
TIN PLATING	0.005 - 0.015



RECOMMENDED HOLE PATTERN COMPONENT SIDE
2MM SIGNAL HOLE PATTERN SHOWN FOR REFERENCE ONLY

NOTES:

- MATERIAL: LCP, 30% GLASS FILLED
COLOR: NATURAL
FLAME RETARDANT ACC. UL 94-V0
- THE -111LF AND -121LF (SHEET 3) HOUSING IS TO BE USED WITH THE PRESS-FIT TO BOARD MINI-COAX INSERT, 88978-001LF OR MINI-COAX PLUG/PLUG COUPLERS, 88971-002LF.

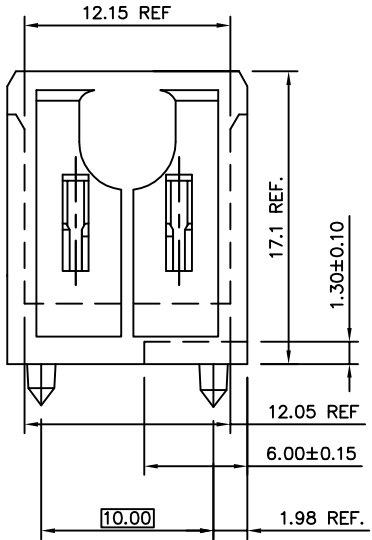
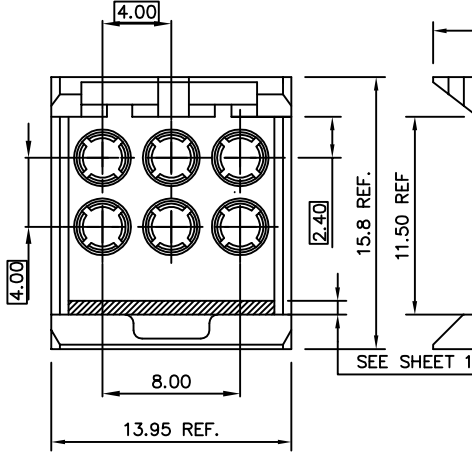
- PART NUMBER WITH "LF" SUFFIX AT THE END IS LEAD FREE.
- THIS PRODUCT MEETS EUROPEAN UNION DIRECTIVES AND OTHER COUNTRY REGULATION AS DESCRIBED IN GS-22-008.
- THE HOUSING WILL WITHSTAND EXPOSURE TO 260°C PEAK TEMPERATURE FOR 15 SECONDS IN A WAVE SOLDER APPLICATION WITH A 1.5mm MINIMUM THICK CIRCUIT BOARD OR FOR 10-20 SECONDS IN A CONVECTION, INFRA-RED OR VAPOR PHASE REFLOW OVEN. SEE APPLICATION NOTES/PROCEDURES IF THEY ARE AVAILABLE.

mat'l. code		surface		tolerance		projection		product family	
SEE NOTES		ISO 1302		ISO 406		MM		METRAL ACC	
ISO 1101		tolerances unless otherwise specified		.0±.3		MM		title	
ltr		ecn no		dr		date		12mm MINI-HYBRID HEADER HOUSING	
P								dwg no	
		angles		linear		scale 1:1		sheet 2 of 3	
		0'±2'		.00±.13				size	
		dr		S.STONER		6/11/92		88913	
		enrg		R.DOUBTRICH		6/11/92		A3	
		chr		S.STONER		6/11/92		type	
		appd		S.STONER		6/11/92		Product Customer Drawing	
sheet index		revision sheet							

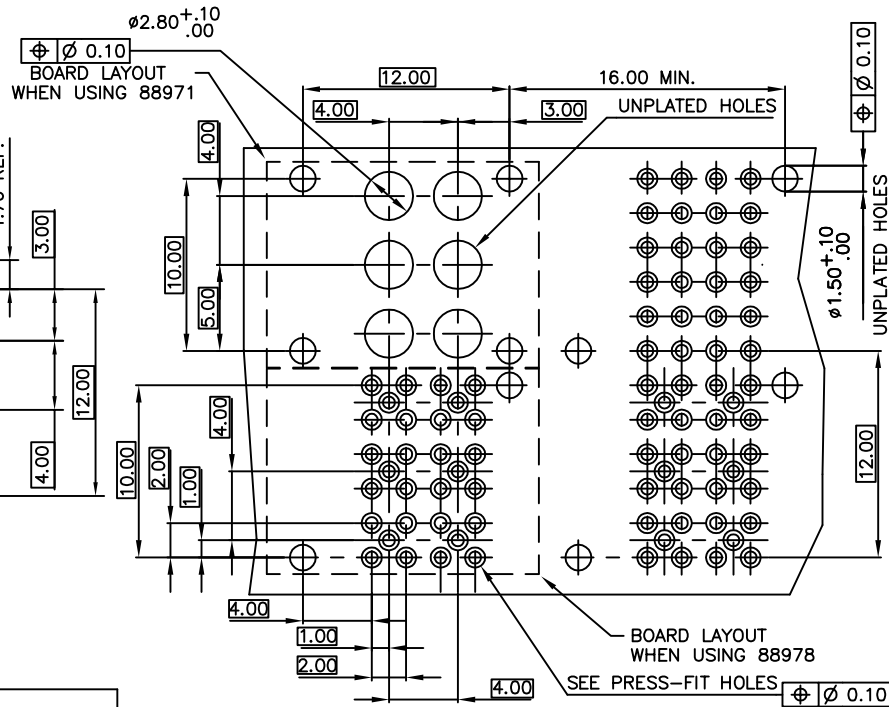


Copyright FCI

PRODUCT NUMBER
88913-121LF



PRESS-FIT HOLES	
HOLE DIAMETER AFTER PLATING	0.65 - 0.80
DRILLED HOLE	0.81 - 0.86 (0.85 DRILL)
COPPER PLATING	0.025 MIN.
TIN PLATING	0.005 - 0.015



RECOMMENDED HOLE PATTERN COMPONENT SIDE
2MM SIGNAL HOLE PATTERN SHOWN FOR REFERENCE ONLY

- ③ PART NUMBER WITH "LF" SUFFIX AT THE END IS LEAD FREE.
- 4. THIS PRODUCT MEETS EUROPEAN UNION DIRECTIVES AND OTHER COUNTRY REGULATION AS DESCRIBED IN GS-22-008.
- 5. THE HOUSING WILL WITHSTAND EXPOSURE TO 260°C PEAK TEMPERATURE FOR 15 SECONDS IN A WAVE SOLDER APPLICATION WITH A 1.5mm MINIMUM THICK CIRCUIT BOARD OR FOR 10-20 SECONDS IN A CONVECTION, INFRA-RED OR VAPOR PHASE REFLOW OVEN. SEE APPLICATION NOTES/PROCEDURES IF THEY ARE AVAILABLE.

- NOTES:
1. MATERIAL: LCP, 30% GLASS FILLED, FLAME RETARDANT ACC. UL 94-V0
COLOR: NATURAL
 2. THE -111LF AND -121LF (SHEET 3) HOUSING IS TO BE USED WITH THE PRESS-FIT TO BOARD MINI-COAX INSERT, 88978-001LF OR MINI-COAX PLUG/PLUG COUPLERS, 88971-002LF.

mat'l. code		surface		tolerance		projection		product family	
SEE NOTES		ISO 1302		ISO 406		MM		METRAL ACC	
Ltr		ecn no		dr		date		title	
P								12mm MINI-HYBRID HEADER HOUSING	
		angles		linear		.0±.3		scale 1:1	
		0°±2'				.00±.13			
						.000±.0051			
		dr		S.STONER		6/11/92		dwg no	
		enrg		R.DOUTRICH		6/11/92		sheet 3 of 3	
		chr		S.STONER		6/11/92		size	
		appd		S.STONER		6/11/92		A3	
sheet index		revision sheet						type Product Customer Drawing	



Copyright FCI