



Chipsmall Limited consists of a professional team with an average of over 10 year of expertise in the distribution of electronic components. Based in Hongkong, we have already established firm and mutual-benefit business relationships with customers from,Europe,America and south Asia,supplying obsolete and hard-to-find components to meet their specific needs.

With the principle of “Quality Parts,Customers Priority,Honest Operation,and Considerate Service”,our business mainly focus on the distribution of electronic components. Line cards we deal with include Microchip,ALPS,ROHM,Xilinx,Pulse,ON,Everlight and Freescale. Main products comprise IC,Modules,Potentiometer,IC Socket,Relay,Connector.Our parts cover such applications as commercial,industrial, and automotives areas.

We are looking forward to setting up business relationship with you and hope to provide you with the best service and solution. Let us make a better world for our industry!



Contact us

Tel: +86-755-8981 8866 Fax: +86-755-8427 6832

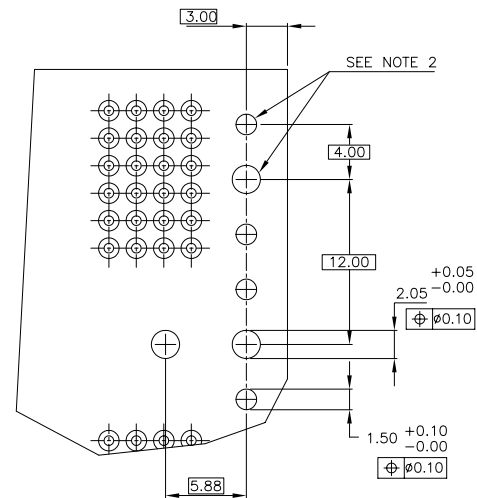
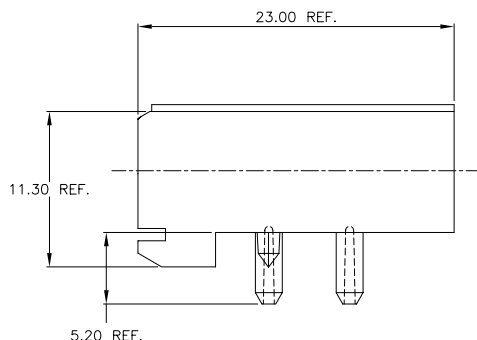
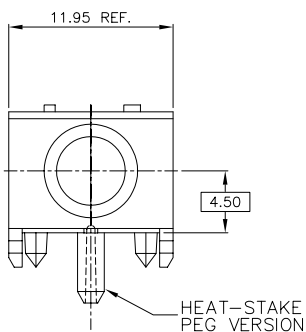
Email & Skype: info@chipsmall.com Web: www.chipsmall.com

Address: A1208, Overseas Decoration Building, #122 Zhenhua RD., Futian, Shenzhen, China



PRODUCT NUMBER	DESCRIPTION
88917-101 & -101LF	HEAT STAKE VERSION

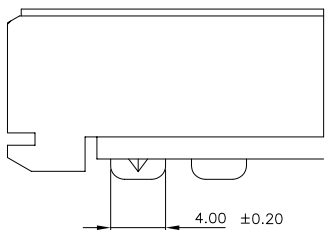
FRONT VIEW



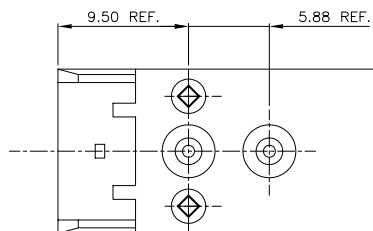
REQUIRED PC BOARD LAYOUT
COMPONENT SIDE

NOTE:

- HOUSING MATERIAL: LCP, 30% GLASS FILLED
FLAME RETARDANT PER UL 94V-0.
COLOR: NATURAL
- INDICATED HOLES ARE UNPLATED
- PART NUMBER WITH "LF" SUFFIX AT THE END ARE LEAD FREE OPTION
- THIS PRODUCT MEETS EUROPEAN UNION DIRECTIVES AND OTHER
COUNTRY REGULATION AS DESCRIBED IN GS-22-008.
- THE HOUSING WILL WITHSTAND EXPOSURE TO 260°C PEAK
TEMPERATURE FOR 15 SECONDS IN A WAVE SOLDER APPLICATION
WITH A 1.5mm MINIMUM THICK CIRCUIT BOARD OR FOR 10-20
SECONDS IN A CONVECTION, INFRA-RED OR VAPOR PHASE REFLOW
OVEN. SEE APPLICATION NOTES/PROCEDURES IF THEY ARE AVAILABLE.



HEAT-STAKE VERSION
ASSEMBLY AFTER HOT RIVETING



mat'l. code		surface		tolerance		projection		product family	
SEE NOTES		ISO 1302 ✓		ISO 406 ISO 1101		mm		METRAL ACC.	
ltr	ecn	no	dr	date	tolerances unless otherwise specified		title		sheet 1 of 4 size
F	c80040	MDF		7/23/98	angles	linear	RECEPTACLE GUIDE MODULE, 4 ROW		
G	H80473	MDF		7/23/98			scale 1:1		A3
H	v02701	JWS		10/19/00	σ±2'		88917		
J	v11668	LSS		6/13/01	dr	S. STONER	9/30/93		type Product Customer Drawing
K	v12868	CGD		1/02/02	enrg	R. DOUTRICH	9/30/93		
L	M05-0262	MHT		12/20/05	chr	S. STONER	9/30/93		
M	M06-0286	MNR		7/27/06	appd	S. STONER	9/30/93		
sheet	revision	M	M	M	M	M			
index	sheet	1	2	3	4				

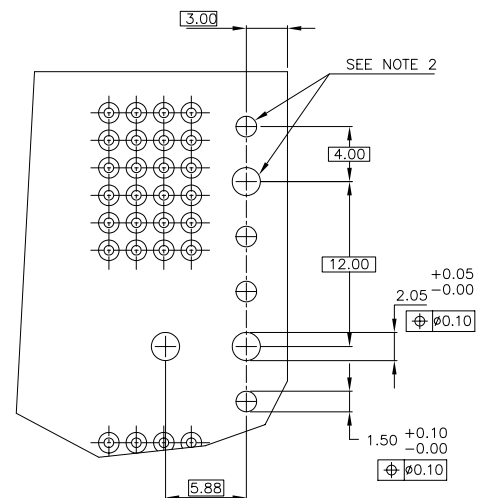
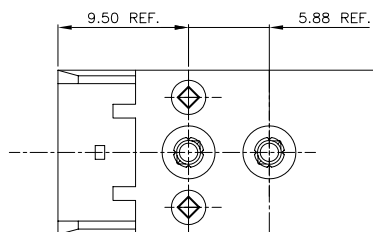
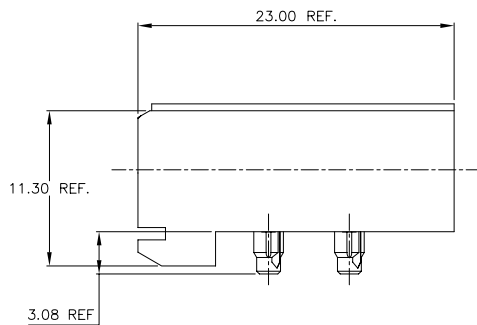
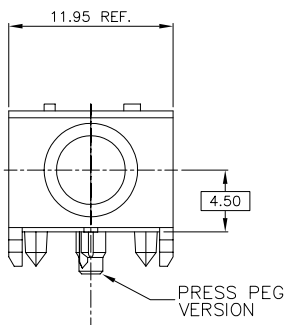


FCIconnect.com

Copyright FCI

PRODUCT NUMBER	DESCRIPTION
88917-201 & -201LF	PRESS-PEG VERSION

FRONT VIEW



REQUIRED PC BOARD LAYOUT
COMPONENT SIDE

NOTE:

- HOUSING MATERIAL: LCP, 30% GLASS FILLED
FLAME RETARDANT PER UL 94V-0.
COLOR: NATURAL
- INDICATED HOLES ARE UNPLATED
- PART NUMBER WITH "LF" SUFFIX AT THE END ARE LEAD FREE OPTION
- THIS PRODUCT MEETS EUROPEAN UNION DIRECTIVES AND OTHER
COUNTRY REGULATION AS DESCRIBED IN GS-22-008.
- THE HOUSING WILL WITHSTAND EXPOSURE TO 260°C PEAK
TEMPERATURE FOR 15 SECONDS IN A WAVE SOLDER APPLICATION
WITH A 1.5mm MINIMUM THICK CIRCUIT BOARD OR FOR 10-20
SECONDS IN A CONVECTION, INFRA-RED OR VAPOR PHASE REFLOW
OVEN. SEE APPLICATION NOTES/PROCEDURES IF THEY ARE AVAILABLE.

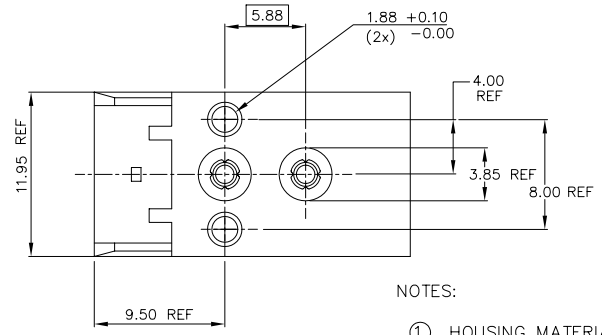
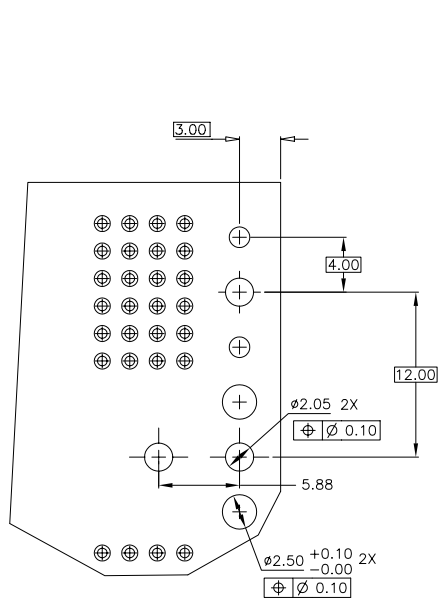
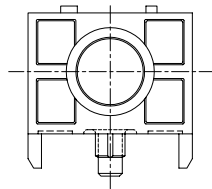
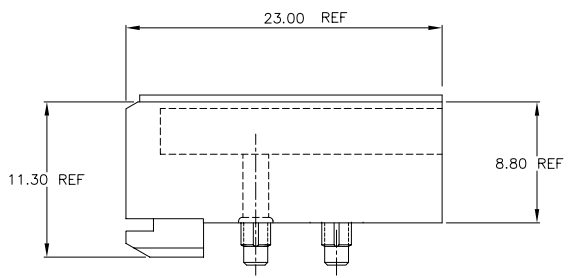
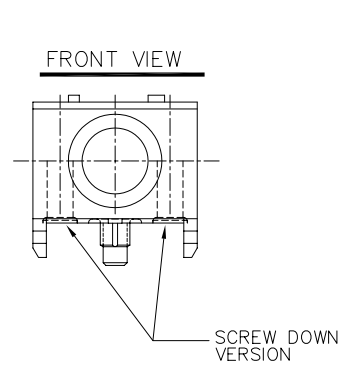
mat'l. code SEE NOTES		surface ISO 1302 ✓	tolerance ISO 406 ISO 1101	projection 	product family METRAL ACC.
ltr	ecn	no	dr	date	tolerances unless otherwise specified
M					angles linear xx ±.01/.3 xxx ±.005/.13 xxx ±.0020/.050
					scale 1:1
					mm
					dr S. STONER 9/30/93
					enrg R. DOUTRICH 9/30/93
					chr S. STONER 9/30/93
					appd S. STONER 9/30/93
sheet index		revision sheet			

title
**RECEPTACLE GUIDE
MODULE, 4 ROW**

dwg no **88917** sheet 2 of 4 size **A3**

type Product Customer Drawing

PRODUCT #	DESCRIPTION
88917-301 & -301LF	SCREW DOWN VERSION



NOTES:

- HOUSING MATERIAL: LCP, 30% GLASS FILLED FLAME RETARDANT PER UL 94V-0. COLOR: NATURAL
- TWO MOUNTING SCREWS, P/N 63787-001, FOR MAX PCB THICKNESS 2.4mm [0.094"] OR P/N 63787-002 FOR MAX PCB THICKNESS 3.2mm [0.126"]. MUST BE ORDERED SEPARATELY
- THE MATING CONNECTOR FOR THIS APPLICATION MUST USE A WALL-LESS HEADER HOUSING, P/N 63735-101, TO AVOID INTERFERENCE WITH MOUNTING SCREW HEADS.

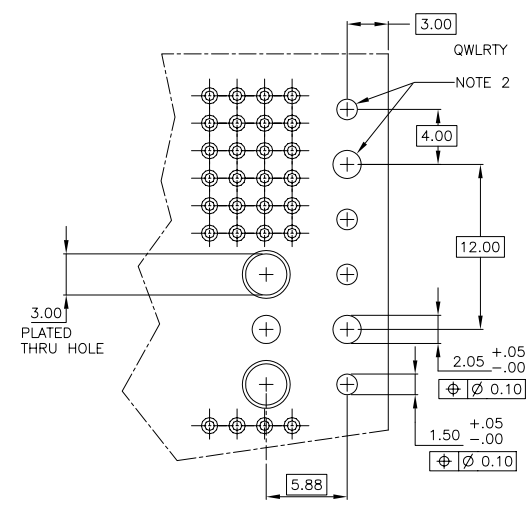
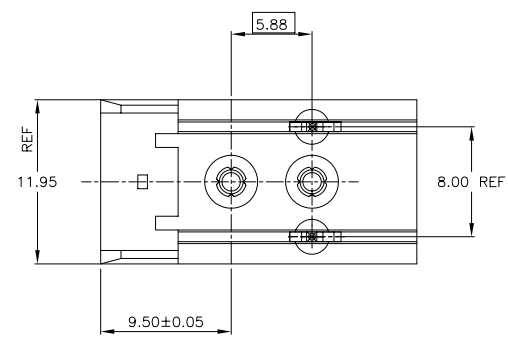
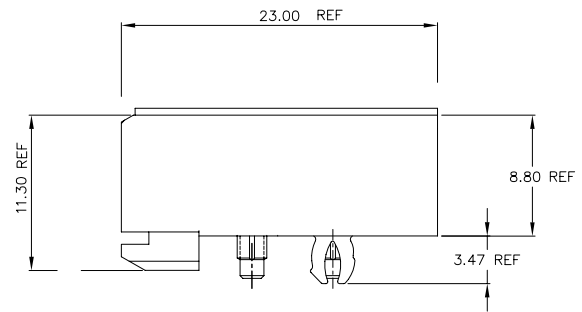
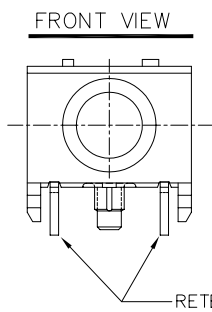
REQUIRED PC BOARD LAYOUT COMPONENT SIDE

- PART NUMBER WITH "LF" SUFFIX AT THE END ARE LEAD FREE OPTION
- THIS PRODUCT MEETS EUROPEAN UNION DIRECTIVES AND OTHER COUNTRY REGULATION AS DESCRIBED IN GS-22-008.
- THE HOUSING WILL WITHSTAND EXPOSURE TO 260°C PEAK TEMPERATURE FOR 15 SECONDS IN A WAVE SOLDER APPLICATION WITH A 1.5mm MINIMUM THICK CIRCUIT BOARD OR FOR 10-20 SECONDS IN A CONVECTION, INFRA-RED OR VAPOR PHASE REFLOW OVEN. SEE APPLICATION NOTES/PROCEDURES IF THEY ARE AVAILABLE.

mat'l. code		surface		tolerance		projection		product family	
SEE NOTES		ISO 1302 ✓		ISO 406 ISO 1101				METRAL ACC.	
ltr	ecn	no	dr	date	tolerances unless otherwise specified				
M					angles	linear	xx ±.01/.3 xxx ±.005/.13		title
					0°±2'		mm		RECEPTACLE GUIDE MODULE, 4 ROW
					dr	S. STONER	9/30/93	scale 1:1	
					enfr	R. DOUTRICH	9/30/93	dwg no	
					chr	S. STONER	9/30/93	sheet 3 of 4 size	
					appd	S. STONER	9/30/93	A3	
sheet index		revision sheet		type Product Customer Drawing					

FCI
FCIconnect.com
Copyright FCI

1	2,3	4	5	6
PRODUCT #	DESCRIPTION			
88917-401 & -401LF	CLAW RETENTION VERSION			



REQUIRED P.C. BOARD LAYOUT
COMPONENT SIDE

NOTES:

- ① HOUSING MATERIAL: LCP, 30% GLASS FILLED
FLAME RETARDANT PER UL 94V-0.
COLOR: NATURAL
- ② INDICATED HOLES ARE UNPLATED.

- ③ PART NUMBER WITH "LF" SUFFIX AT THE END ARE LEAD FREE OPTION
- 4. THIS PRODUCT MEETS EUROPEAN UNION DIRECTIVES AND OTHER COUNTRY REGULATION AS DESCRIBED IN GS-22-008.
- 5. THE HOUSING WILL WITHSTAND EXPOSURE TO 260°C PEAK TEMPERATURE FOR 15 SECONDS IN A WAVE SOLDER APPLICATION WITH A 1.5mm MINIMUM THICK CIRCUIT BOARD OR FOR 10-20 SECONDS IN A CONVECTION, INFRA-RED OR VAPOR PHASE REFLOW OVEN. SEE APPLICATION NOTES/PROCEDURES IF THEY ARE AVAILABLE.

mat'l. code		surface		tolerance		projection		product family	
SEE NOTES		ISO 1302 ✓		ISO 406 ISO 1101				METRAL ACC.	
ltr	ecn	no	dr	date	tolerances unless otherwise specified		title		
M					angles	linear	$xx \pm .01/3$ $xxx \pm .005/.13$ $xxxx \pm .0020/.050$	RECEPTACLE GUIDE MODULE, 4 ROW	
					∅±2'		scale 1:1	dwg no	
					dr	S. STONER	9/30/93	sheet 4 of 4 size	
					engr	R. DOUTRICH	9/30/93	88917 A3	
					chr	S. STONER	9/30/93		
					appd	S. STONER	9/30/93	type Product Customer Drawing	
sheet	revision								
index	sheet								



Copyright FCI