



Chipsmall Limited consists of a professional team with an average of over 10 year of expertise in the distribution of electronic components. Based in Hongkong, we have already established firm and mutual-benefit business relationships with customers from,Europe,America and south Asia,supplying obsolete and hard-to-find components to meet their specific needs.

With the principle of “Quality Parts,Customers Priority,Honest Operation,and Considerate Service”,our business mainly focus on the distribution of electronic components. Line cards we deal with include Microchip,ALPS,ROHM,Xilinx,Pulse,ON,Everlight and Freescale. Main products comprise IC,Modules,Potentiometer,IC Socket,Relay,Connector.Our parts cover such applications as commercial,industrial, and automotives areas.

We are looking forward to setting up business relationship with you and hope to provide you with the best service and solution. Let us make a better world for our industry!



## Contact us

Tel: +86-755-8981 8866 Fax: +86-755-8427 6832

Email & Skype: info@chipsmall.com Web: www.chipsmall.com

Address: A1208, Overseas Decoration Building, #122 Zhenhua RD., Futian, Shenzhen, China



## DC/DC converters PS Part number 88950320



- Power supplies for extended voltage input ranges
- Provide your devices with a constant supply voltage
- Primary/secondary isolation
- Useful in case of battery use

### Part numbers

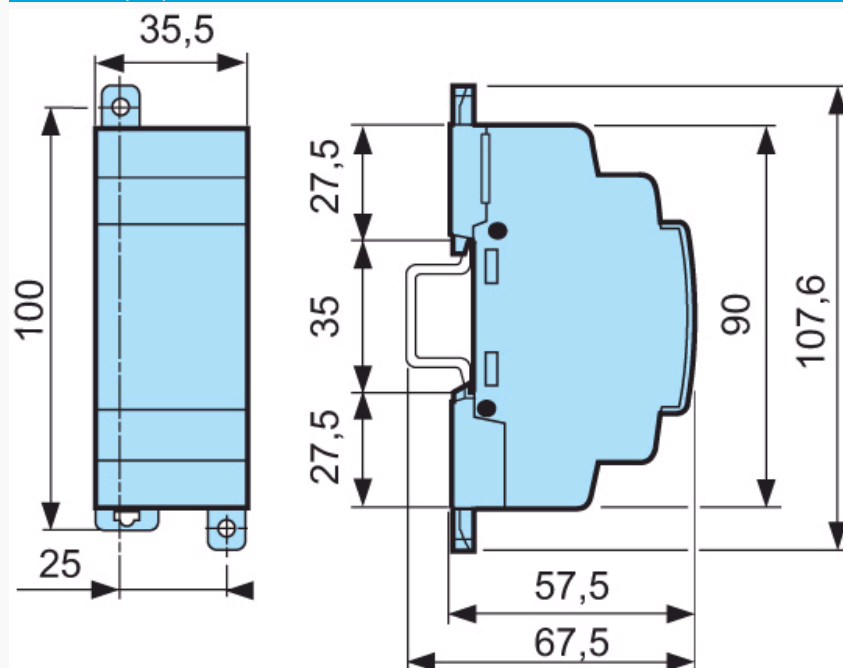
	Type	Input	Output	Nominal power
88950320	PS	9,2-18 V DC	12 V DC	10 W

### Specifications

#### General characteristics

Certifications	CE	CE
Output voltage	12 V DC $\pm$ 5 %	24 V DC $\pm$ 5 %
Overvoltage	20 V DC max.	40 V DC max.
Input limits	9,2 $\rightarrow$ 18 V DC (10 W available)	16 $\rightarrow$ 36 V DC (10 W available) 9,2 $\rightarrow$ 16 V DC (see graph)
Isolation primary / secondary	1500 V DC	1500 V DC
Operating temperature	-30 $\rightarrow$ +70 °C	-30 $\rightarrow$ +70 °C
Storage temperature (°C)	-40 $\rightarrow$ +80 °C	-40 $\rightarrow$ +80 °C
Immunity from micro power cuts	At 10 W : > 1 ms for 9,2 V < U < 12V > 5 ms for U $\geq$ 12 V At 6 W : > 5 ms for all voltage range	At 10 W : > 1 ms for 16 V < U < 18 V 5 ms for U $\geq$ 18 V At 6 W : > 1 ms for U < 12 V > 5 ms for 12 V $\leq$ U < 18 V > 10 ms for U $\geq$ 18 V

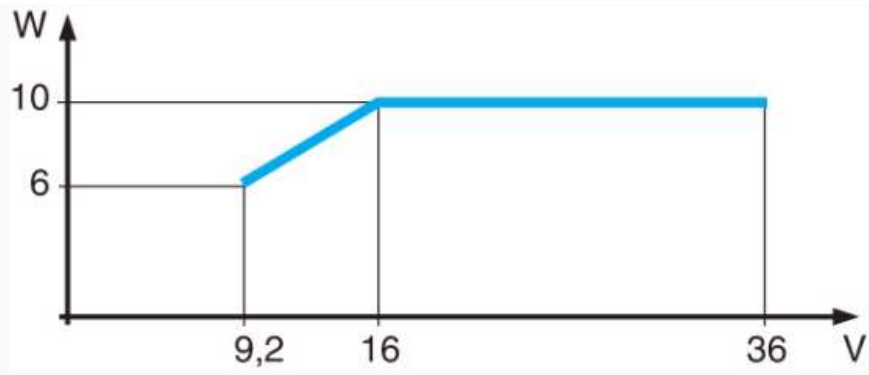
### Dimensions (mm)



mm

### Curves

#### Input limits



#### Product adaptations



- Tropicalisation
- Integration in a resin board version