



Chipsmall Limited consists of a professional team with an average of over 10 year of expertise in the distribution of electronic components. Based in Hongkong, we have already established firm and mutual-benefit business relationships with customers from,Europe,America and south Asia,supplying obsolete and hard-to-find components to meet their specific needs.

With the principle of “Quality Parts,Customers Priority,Honest Operation,and Considerate Service”,our business mainly focus on the distribution of electronic components. Line cards we deal with include Microchip,ALPS,ROHM,Xilinx,Pulse,ON,Everlight and Freescale. Main products comprise IC,Modules,Potentiometer,IC Socket,Relay,Connector.Our parts cover such applications as commercial,industrial, and automotives areas.

We are looking forward to setting up business relationship with you and hope to provide you with the best service and solution. Let us make a better world for our industry!



Contact us

Tel: +86-755-8981 8866 Fax: +86-755-8427 6832

Email & Skype: info@chipsmall.com Web: www.chipsmall.com

Address: A1208, Overseas Decoration Building, #122 Zhenhua RD., Futian, Shenzhen, China



Millenium 3

→ Expandable version

- "High-performance" expandable solution with display
- Extended memory: 120 lines in LADDER language and up to 700 "typical" blocks in FBD language
- LCD with 4 lines of 18 characters and configurable backlighting
- Selective parameter setting: You can choose the parameters that can be adjusted on the front panel
- Analogue inputs 0-10 V $\overline{\text{---}}$ or 0-20 mA/Pt 100 with converters see page 46
- Open to XN network communication extensions and digital I/O or analogue extensions



XD10



XD26

Part numbers

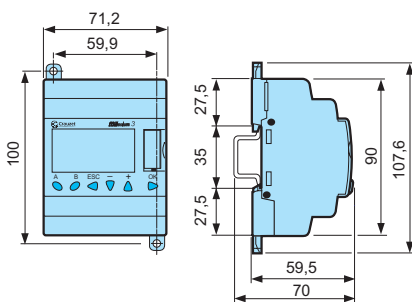
Type	Input	Output	Supply	Code
XD10	6 digital of which 4 are analogue	4 relay	24 V $\overline{\text{---}}$	88970141
	6 digital of which 4 are analogue	4 solid state of which 1 is PWM	24 V $\overline{\text{---}}$	88970142
	6 digital	4 relay	100 → 240 V \sim	88970143
	6 digital	4 relay	24 V \sim	88970144
XD26	16 digital of which 6 are analogue	10 relay	24 V $\overline{\text{---}}$	88970161
	16 digital of which 6 are analogue	10 solid state of which 4 is PWM	24 V $\overline{\text{---}}$	88970162
	16 digital	10 relay	100 → 240 V \sim	88970163
	16 digital	10 relay	24 V \sim	88970164
	16 digital of which 6 are analogue	10 relay	12 V $\overline{\text{---}}$	88970165

Accessories

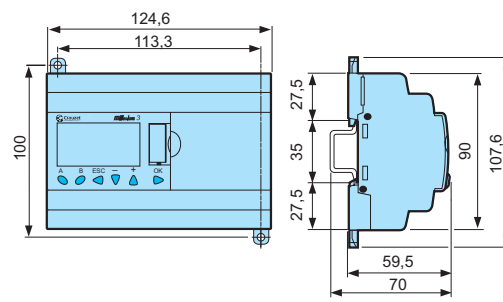
Type	Description	Code
M3 SOFT	Multilingual programming software (CD-ROM)	88970100
M3 SPECIFIC FUNCTIONS	Library of specific functions (CD-ROM)	88970103
PA	EEPROM memory cartridge	88970108
	3 m serial link cable: PC → Millenium 3	88970102
	3 m USB link cable: PC → Millenium 3	88970109
	Millenium 3 → Bluetooth interface (class A 10 m)	88970104

Dimensions (mm)

XD10



XD26



For adapted products, see page 49