



Chipsmall Limited consists of a professional team with an average of over 10 year of expertise in the distribution of electronic components. Based in Hongkong, we have already established firm and mutual-benefit business relationships with customers from,Europe,America and south Asia,supplying obsolete and hard-to-find components to meet their specific needs.

With the principle of “Quality Parts,Customers Priority,Honest Operation,and Considerate Service”,our business mainly focus on the distribution of electronic components. Line cards we deal with include Microchip,ALPS,ROHM,Xilinx,Pulse,ON,Everlight and Freescale. Main products comprise IC,Modules,Potentiometer,IC Socket,Relay,Connector.Our parts cover such applications as commercial,industrial, and automotives areas.

We are looking forward to setting up business relationship with you and hope to provide you with the best service and solution. Let us make a better world for our industry!



Contact us

Tel: +86-755-8981 8866 Fax: +86-755-8427 6832

Email & Skype: info@chipsmall.com Web: www.chipsmall.com

Address: A1208, Overseas Decoration Building, #122 Zhenhua RD., Futian, Shenzhen, China



Millenium 3 accessories

→ MTP01 programmable touch panel

- Compact touch panel 3" STN monochrome with very high visibility
- 3 colour backlight: green, orange, red
- Graphic resolution 128 x 64 pixels - 6 lines of 12 characters
- Text, data, graphic display
- Processing of recipes
- Direct communication via the Millenium 3 programming port
- Programmable with user-friendly MTPWIN software (compatible with Windows 2000/XP/Vista), with rapid transfer by RS232C cable



Part numbers

Type	Designation	Code
RD	User kit (MTP01, fixing brackets, connector, MTP-M3 cable) *	88970452
	MTPWIN programming pack (CD, PC-MTP01 USB cable)	88970454

** For use with 24 V DC Millenium 3 units only*

Accessories

Type	Description	Code
MA	Front panel protective membranes (pack of 10)	88970448
MA	Front panel protective membranes (pack of 10)	88970449
PA	Programming cable RS232	88950105

General characteristics

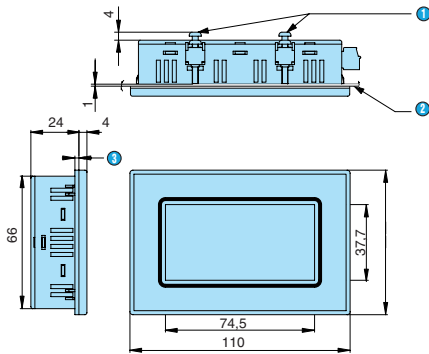
Environmental characteristics	
Certifications	UL, cUL
Conformity to standards	EN 61000-6-2, EN 61000-6-4
Operating temperature	0 → +50°C
Storage temperature	-20 → +60°C
Relative humidity	20 → 85% (operation) 10 → 85% (storage)
Protection rating	IP65 - Dust and droplets Front panel seal watertight as standard Can be replaced using sealing kit 88970449
Vibration resistance	10-55 Hz (1 min cycle) Double amplitude 0.75 mm, 10 min in each of the X, Y, Z axes
Shock resistance	98 m/s ² min 4 times in each of the X, Y, Z axes
Electrical characteristics	
Supply voltage	24 V --- Internal insulation via transformer
Voltage limits	21.6 → 26.4 V ---
Consumption	≤ 2 W
Mechanical characteristics	
Dimensions (l x h x p)	110 x 72 x 24 mm Useful screen area 70.38 x 35.18 mm
Panel cut-out	105 x 67 mm Panel thickness 1 → 5 mm
Mounting	Flush-mounted, fixing by 2 yoke screws (supplied) for 1 to 5 mm panel
Connection	Removable 8-pin screw terminal block (supplied)
Max. Tightening torque (Nm)	0.22 → 0.3 Nm
Connection capacity	AWG 28-16
Weight (g)	± 160

Display characteristics

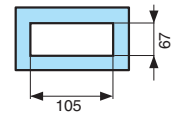
Description	LCD monochrome 3" STN - Resolution 128 x 64 pixels 6 lines of 12 characters Backlighting in 3 colours: green, orange, red 384 Kb memory capacity (program & recipe backup) Programmable with MTPWIN software Touch panel with user-definable layout 8 pixels min. Contact pressure 0.5 Nm max. Key life: 1 million operations minimum
Display details	Straight lines, continuous straight lines, squares, ovals, arcs, fan shape, bevelled squares, bitmaps
Functions	Messages, indicators, buttons, data, bar charts, clocks, keypads, line graphs and alarm list. Recipes, flow display, write device, language switching.
Connection	PC → MTP01 link via RS232C Millenium → MTP01 direct link using the Millenium programming port via the communication cable
Number of screens	160 approx, depending on the program size
Real-time clock	Uses the Millenium clock
Languages	English, French, German, Italian, Spanish, Japanese, Korean, simplified Chinese, traditional Chinese, Turkish.

Dimensions (mm)

MTP01



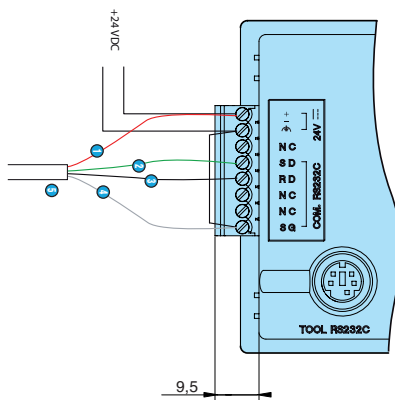
Panel cut-out



- ① Thickness: 5 mm
- ② Panel cut-out
- ③ Sealing ring

Connections

MTP01



- ① Red
- ② Green
- ③ Black
- ④ White
- ⑤ MTP → Millenium 3 cable