



Chipsmall Limited consists of a professional team with an average of over 10 year of expertise in the distribution of electronic components. Based in Hongkong, we have already established firm and mutual-benefit business relationships with customers from,Europe,America and south Asia,supplying obsolete and hard-to-find components to meet their specific needs.

With the principle of “Quality Parts,Customers Priority,Honest Operation,and Considerate Service”,our business mainly focus on the distribution of electronic components. Line cards we deal with include Microchip,ALPS,ROHM,Xilinx,Pulse,ON,Everlight and Freescale. Main products comprise IC,Modules,Potentiometer,IC Socket,Relay,Connector.Our parts cover such applications as commercial,industrial, and automotives areas.

We are looking forward to setting up business relationship with you and hope to provide you with the best service and solution. Let us make a better world for our industry!



## Contact us

Tel: +86-755-8981 8866 Fax: +86-755-8427 6832

Email & Skype: info@chipsmall.com Web: www.chipsmall.com

Address: A1208, Overseas Decoration Building, #122 Zhenhua RD., Futian, Shenzhen, China



## Programmable touch panels MTP6/50 & MTP8/50 PA Part number 88970501



### MTP6/50 & MTP8/50

- 4.3" TFT-LCD compact resistive touch panels, 65536 colors, LED backlight
- Graphical resolution : 480 x 272 pixels
- Wide viewing angle : 70° horizontally and vertically
- Fan-less cooling system
- Text, data, graphic, animation display
- Processing of alarms and recipes
- 400 M Hz core logic, 64 MB RAM
- 128 MB flash memory storage
- Direct communication via the Millennium 3 programming port
- Programmable with user-friendly EB software (compatible with Windows 2000/XP/Vista/7)
- RS232/RS485 serial port
- MTP6/50
- USB 2.0 port (programming)
- MTP8/50
- Ethernet port (programming and communication)

### Part numbers

|          | Type | Designation   | Size | Programming | Connection |
|----------|------|---|------|-------------|------------|
| 88970501 | PA   | MTP6/50-MTP8/70 programming kit - USB-MiniUSB connection (EB /helpfile CD, USB-MiniUSB cable) | -    | -           | -          |

### Specifications

#### Environmental characteristics

|                         |   |
|-------------------------|---|
| Certifications          | UL, cUL   |
| Conformity to standards | IEC 61000-4   |
| Operating temperature   | 0 → +45 °C  |
| Storage temperature     | -20 → +60 °C  |
| Relative humidity       | 10 → 90 % (operation)   |
| Protection rating       | IP65 - Dust and droplets<br>Front panel seal watertight at standard |
| Vibration resistance    | 10 - 25 Hz, 2G<br>30 minutes in each of the X, Y, Z axes            |
| Shock resistance        | Free fall from 1 meter in each of the X, Y, Z axes                  |

#### Electrical characteristics

|                |   |
|----------------|---|
| Supply voltage | 24 VDC<br>Internal insulation via transformer |
| Voltage limits | 19,2 → 28,8 VDC                               |
| Consumption    | 7,2 W max                                     |

#### Mechanical characteristics

|                        |  |
|------------------------|--|
| Dimensions (l x h x w) | 128 x 102 x 38 mm<br>Useful screen area : 95 x 54 mm               |
| Panel cut-out          | 119 x 93 mm<br>Panel thickness 1-10 mm                             |
| Mounting               | Built-in, fixing by 2 screw clamps (supplied) for 1 to 10 mm panel |
| Connection             | Removable 3-pin screw terminal block (supplied)                    |
| Weight                 | AC 300 g   |

#### Display characteristics

|                 |  |
|-----------------|--|
| Description     | TFT-LCD 4.3" polychrome, 65536 colors<br>LED backlight<br>Resolution 480 x 272 pixels<br>400 M Hz core logic, 64 MB RAM<br>128 MB flash memory (programs and recipes backup)<br>Programmable with EB software<br>Touch panel with user-definable layout<br>Key life : 1 million operations minimum |
| Display details | Straight lines, free lines, squares, ovals, arcs, polygons, bitmaps, animations.gif, standard fonts  |
| Functions       | Buttons, switches, levers, LEDs, messages, data, password-secured buttons, triggers<br>Bar charts, linear gauges, clocks, alphanumeric keyboards, graphics, recipes, alarm lists<br>Text scrolling, multiple windows, data transfer, multiple language<br>Archive                                  |
| Connection      | Communication<br>MTP6/50 and MTP8/50<br>Direct M3-MTP communication (supplied)<br>RS485 Modbus connection : 2/4 cables (2 cables with accessory 88970503)  |

MTP8/50  
Modbus TCP/IP connection via Ethernet port

Programming  
MTP6/50  
PC-MTP6/50 link via USB-MiniUSB cable (accessory)  
MTP8/50  
PC-MTP8/50 link via Ethernet RJ45 crossover cable (accessory)

Real-time clock  
Uses Millenium clockor built-in clock

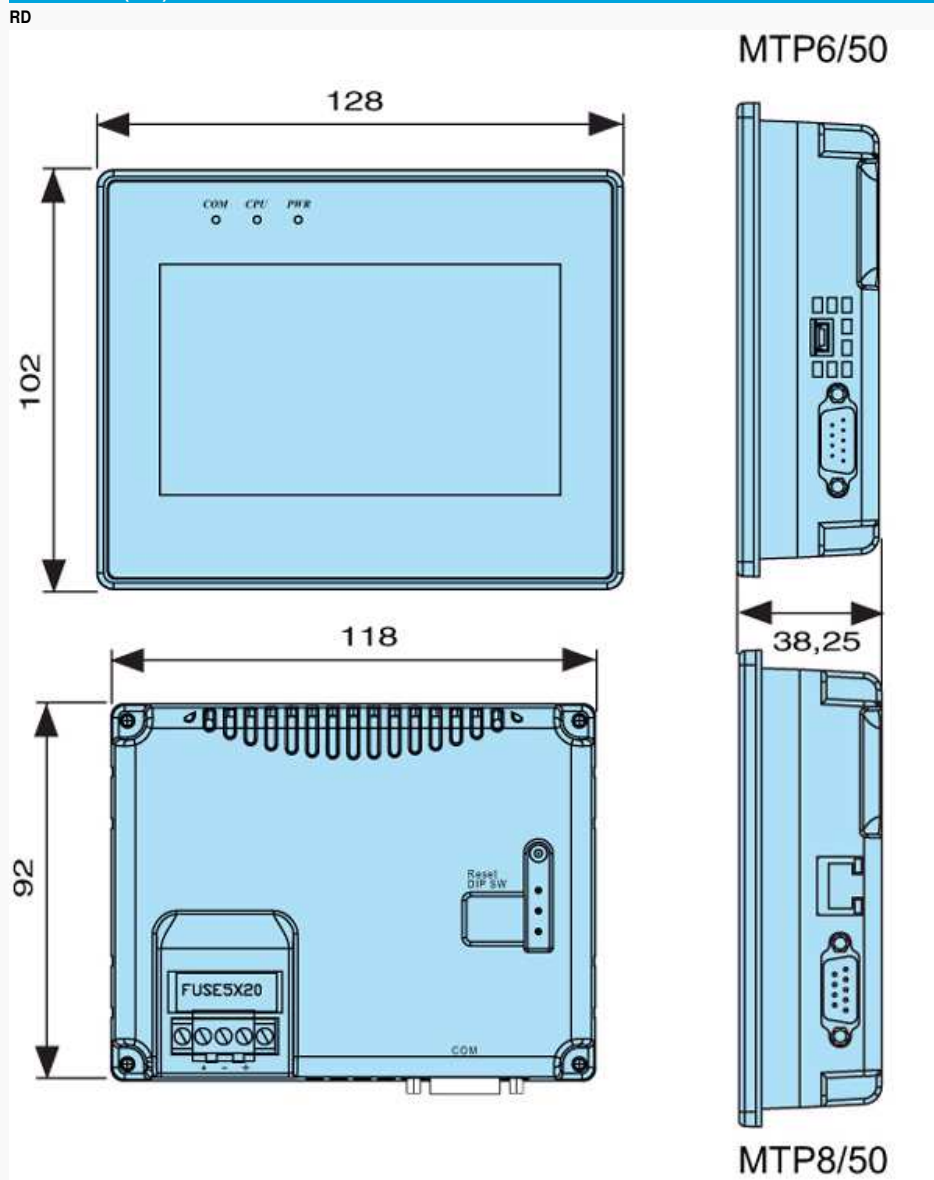
### Accessories

| Type | Description                        | Code     |
|------|------------------------------------|----------|
| MA   | Modbus cable for MTP6/50 & MTP8/50 | 88970503 |

### Comments

For use with 24 V DC Millenium 3 units only

### Dimensions (mm)



### Dimensions (mm)

Panel cut-out

