



Chipsmall Limited consists of a professional team with an average of over 10 year of expertise in the distribution of electronic components. Based in Hongkong, we have already established firm and mutual-benefit business relationships with customers from,Europe,America and south Asia,supplying obsolete and hard-to-find components to meet their specific needs.

With the principle of "Quality Parts,Customers Priority,Honest Operation,and Considerate Service",our business mainly focus on the distribution of electronic components. Line cards we deal with include Microchip,ALPS,ROHM,Xilinx,Pulse,ON,Everlight and Freescale. Main products comprise IC,Modules,Potentiometer,IC Socket,Relay,Connector.Our parts cover such applications as commercial,industrial, and automotives areas.

We are looking forward to setting up business relationship with you and hope to provide you with the best service and solution. Let us make a better world for our industry!



Contact us

Tel: +86-755-8981 8866 Fax: +86-755-8427 6832

Email & Skype: info@chipsmall.com Web: www.chipsmall.com

Address: A1208, Overseas Decoration Building, #122 Zhenhua RD., Futian, Shenzhen, China



› HMI Crouzet Touch

Accessories for Millenium3 and em4

Performance

- › TFT-LCD resistive touch screen
- › Fan less cooling system
- › 32 bit 600 Mhz or 1 Ghz Cortex-A8 processor
- › Built-in RTC
- › Direct communication with M3 programming port
- › Modbus RS485 protocol (drivers for M3 and em4)
- › Modbus TCP/IP protocol (drivers for M3 and em4)
- › Integrated VNC server
- › Additional functions provided by Crouzet Touch programming software (e-mails, recipe database, enhanced security...)
- › CE mark, cULus listed



CTP104-E



CTP107-E



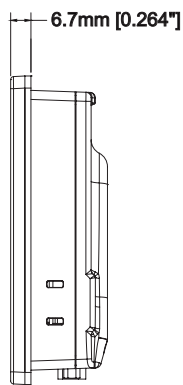
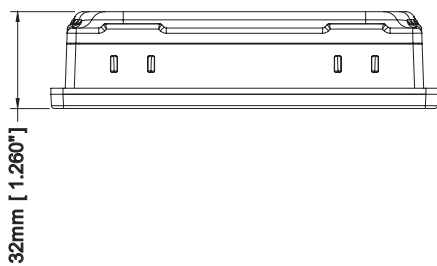
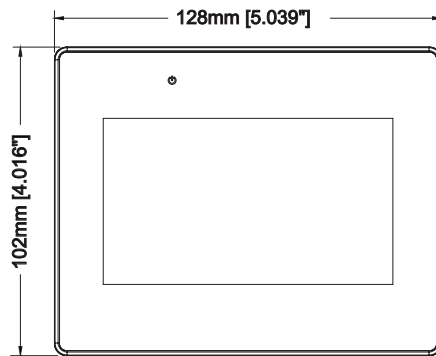
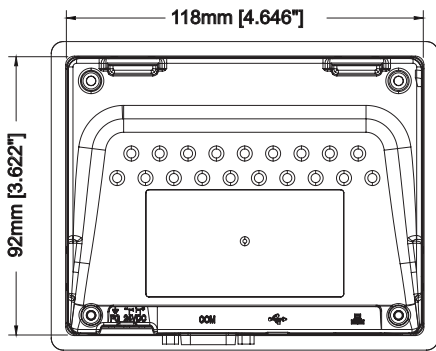
CTP110-E

Specific characteristics			
Part number	88 970 554	88 970 564	88 970 574
Type	CTP104-E	CTP107-E	CTP110-E
Size	4.3"	7"	9.7"
Resolution	480 x 272	800 x 480	1024 x 768
Brightness	400 cd/m ²		350 cd/m ²
On front panel color	Pantone Process Black C, Blue Pantone 285C		
Power consumption	300 mA @ 24 V	450 mA @ 24 V	650 mA @ 24 V
Colors	16.7 M		262 K
LCD viewing angle (Top/Bottom/Left/Right)	30/50/50/50	70/50/70/70	60/70/70/70
Processor	32 bit RISC Cortex-A8, 600 MHz		32 bit RISC Cortex-A8, 1 GHz
Storage memory	128 MByte		512 MByte
RAM memory	128 MByte		256 MByte
USB	Host USB 2.0		
Ethernet	RJ45 type, 10/100 Mbit/s, MDI/MDIX		2 x RJ45 type, 10/100/1000 Mbit/s, MDI/MDIX
Port RS232	COM1 male		COM1 male, COM3 male. Only Tx & Rx (no RTS/CTS) may be used for COM1 when COM3 is also used
Port RS485	COM1 2/4 wires male, COM3 2 wires male		COM2 2/4 wires female, COM3 2 wires female
UL Certification	cULus Listed		N/A
Weight	Approximately 0.25 kg	Approximately 0.6 kg	Approximately 0.85 kg
Dimensions (W x H x D)	128 x 102 x 32 mm 5.04 x 4.02 x 1.26"	200.3 x 146.3 x 34 mm 7.89 x 5.77 x 1.34"	260.6 x 203.1 x 36.5 mm 10.26 x 8 x 1.44"
Vesa Mount	N/A		75 x 75 mm 2.95 x 2.95"
Panel cutout	119 x 93 mm 4.69 x 3.66"	192 x 138 mm 7.56 x 5.43"	250 x 192 mm 9.84 x 7.56"
PCB Coating	Yes		

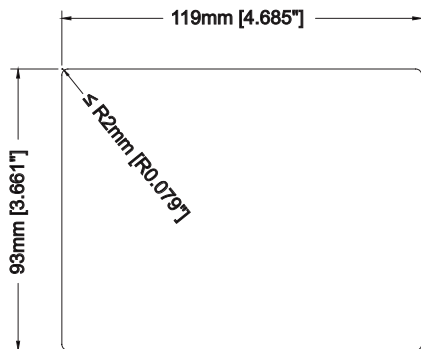
General characteristics	
Enclosure	Plastic
Products certification	CE
Nominal voltage	24 VDC (-20 % / +20 %)
Operating limits	19.2 - 28.8 VDC
Power isolation	Yes
Power supply earthing	Yes
Voltage resistance	500 VAC (1 minute)
Isolation resistance	> 50 Mohms at 500 VDC
Vibration endurance	10 → 25 Hz (direction X,Y,Z 2G 30 minutes)
Conducted and radiated emissions	EN 55022: 2010 +AC: 2011 classe A (88 970 554 & 88 970 574) EN 55022: 2010 +AC: 2011 classe B (88 970 564) CISPR 22: 2008
Electro-Magnetic Interference, harmonic current	EN 61000-3-2: 2014
Electro-Magnetic Interference, voltage flicker	EN 61000-3-3: 2013
Resistance to electrostatic discharge	Immunity to ESD IEC/EN 61000-4-2: 2008
Resistance to HF interference (Immunity) (EN55024: 2010)	Immunity to radiated electrostatic fields IEC/EN 61000-4-3: 2010 Immunity to fast transients (burst immunity) IEC/EN 61000-4-4: 2012 Immunity to shock waves IEC/EN 61000-4-5: 2014 Radio frequency in common mode IEC/EN 61000-4-6: 2013 Immunity to magnetic field IEC/EN 61000-4-8: 2009
Voltage dip, interruption	IEC/EN 61000-4-11: 2004
Protection against electric shock	Classe II equipment
Mount	Built-in, fixing by screw clamps (supplied) for 1 → 6 mm panel
Connection	Removable 3-pin screw terminal block (supplied)
Protection rating	NEMA4 / IP 65 Compliant front panel
Operation temperature	0 (32 °F) → +50 °C (122 °F)
Storage temperature	-20 (-4 °F) → +60 °C (140 °F)
Relative humidity	10 → 90 % max. (no condensation or dripping water)

Display	
Type	TFT LCD
Contrast ratio	500:1
Backlight type	Led
Backlight life time	> 30.000 Hours
Touch panel: type	4 wires resistive, with user-definable layout
Touch panel: key life	1 million operations minimum
Accuracy	Active Area Length (X) ± 2 %, Width (Y) ± 2 %
Driver Millenium 3	SLIN/SLOUT 24VDC, XN05, XN06
Driver em4	Modbus RS485 & TCP/IP
Driver Modbus IDA	ASCII, RTU & TCP/IP
RTC	Use Millenium 3, em4 or build-in clock
RTC battery	CR2032
RTC time life battery	> 5 years, not rechargeable

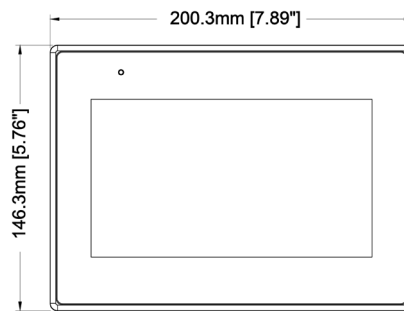
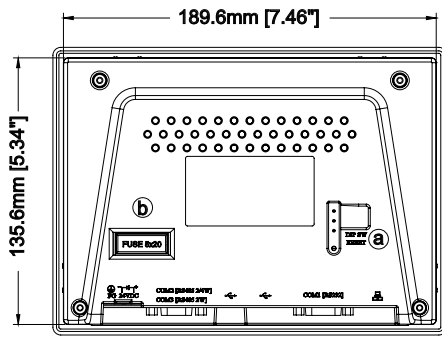
Schemes
Dimensions
CTP104-E



Panel cutout

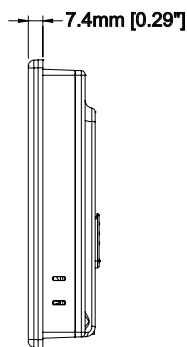
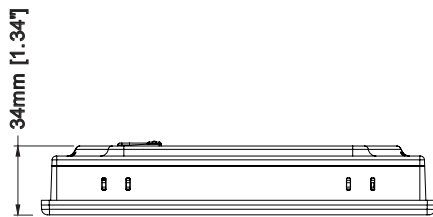


CTP107-E

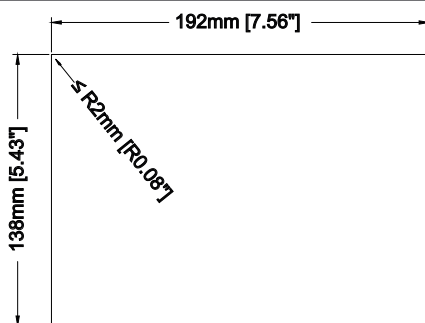


a DIP SW

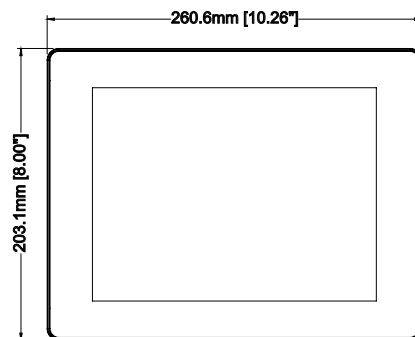
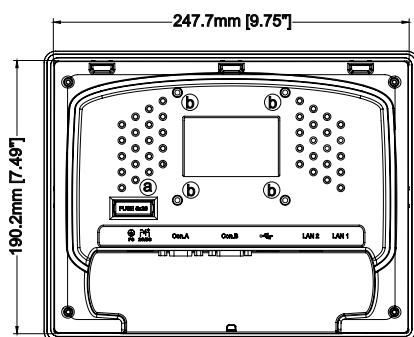
b Fuse



Panel cutout

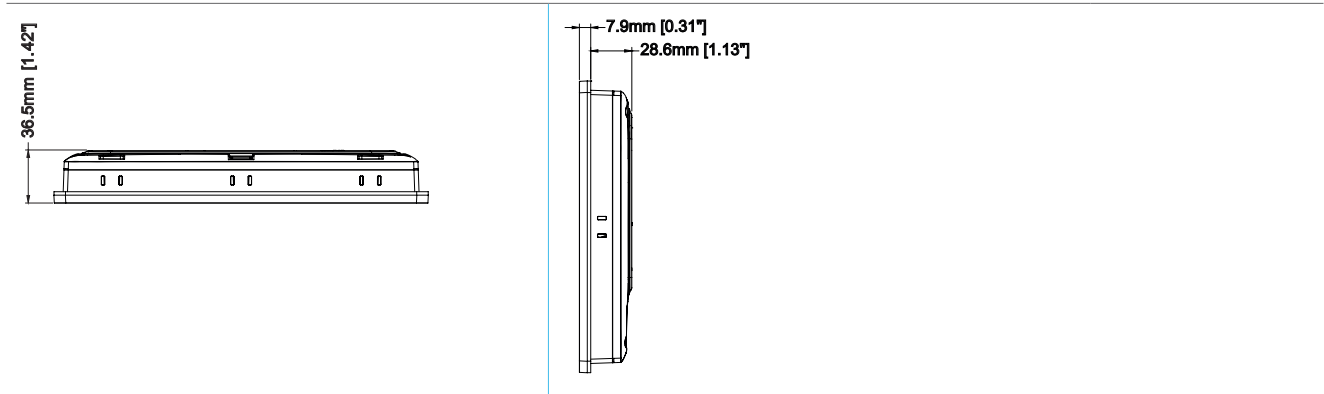


CTP110-E

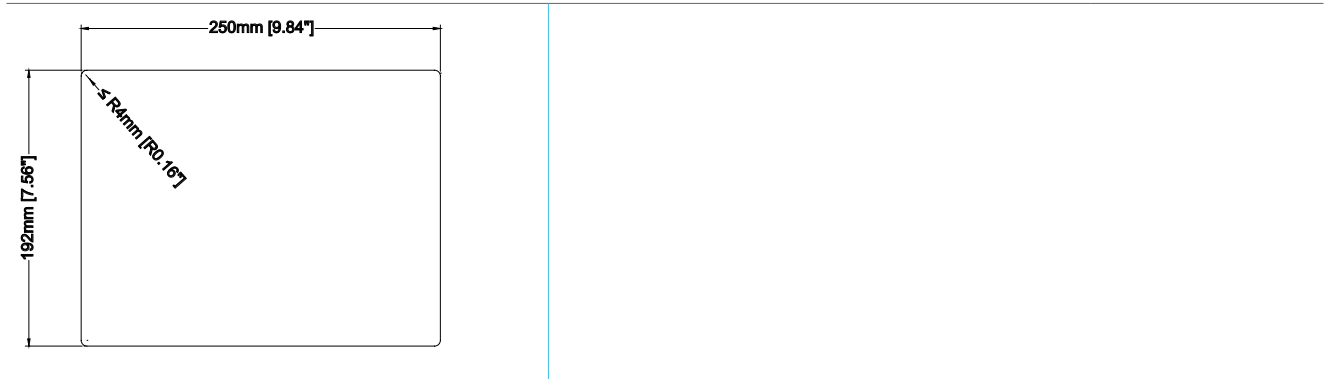


a Fuse

b Vesa 2.95 x 2.95"

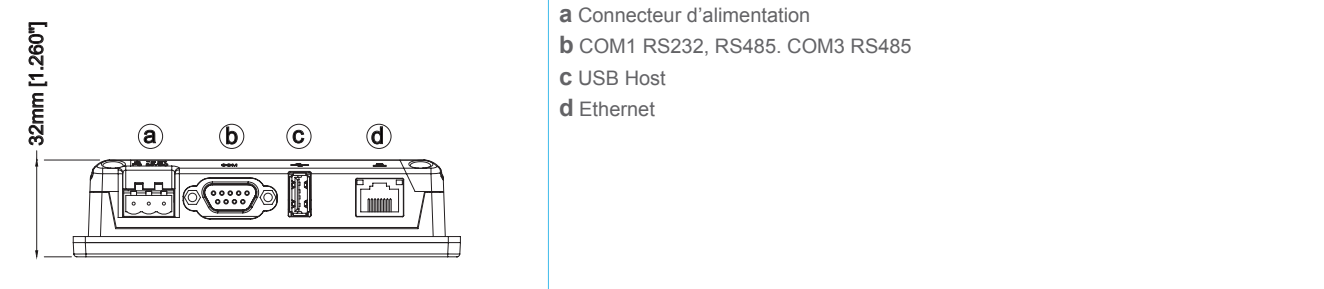


Panel cutout

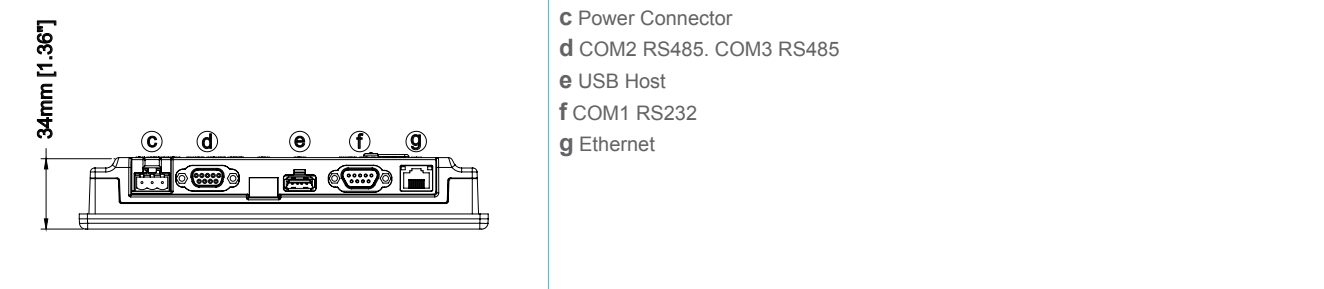


Connections

CTP104-E



CTP107-E



CTP110-E

