

Chipsmall Limited consists of a professional team with an average of over 10 year of expertise in the distribution of electronic components. Based in Hongkong, we have already established firm and mutual-benefit business relationships with customers from,Europe,America and south Asia,supplying obsolete and hard-to-find components to meet their specific needs.

With the principle of “Quality Parts,Customers Priority,Honest Operation,and Considerate Service”,our business mainly focus on the distribution of electronic components. Line cards we deal with include Microchip,ALPS,ROHM,Xilinx,Pulse,ON,Everlight and Freescale. Main products comprise IC,Modules,Potentiometer,IC Socket,Relay,Connector.Our parts cover such applications as commercial,industrial, and automotives areas.

We are looking forward to setting up business relationship with you and hope to provide you with the best service and solution. Let us make a better world for our industry!



Contact us

Tel: +86-755-8981 8866 Fax: +86-755-8427 6832

Email & Skype: info@chipsmall.com Web: www.chipsmall.com

Address: A1208, Overseas Decoration Building, #122 Zhenhua RD., Futian, Shenzhen, China

› HMI Crouzet Touch

Accessories for Millenium3 and em4

Essential

- › TFT-LCD resistive touch screen
- › Fan less cooling system
- › 32 bit 600 Mhz Cortex-A8 processor
- › Built-in RTC
- › Direct communication with Millenium 3 programming port (dedicated driver for SLin/SLout)
- › Modbus RS485 protocol (dedicated drivers for M3 and em4 controllers)
- › CE mark



CT104



CT107

Specific characteristics		
Part number	88 970 524	88 970 534
Type	CT104	CT107
Size	4.3"	7"
Resolution	480 x 272	800 x 480
Brightness	400 cd/m ²	300 cd/m ²
On front panel color	Pantone Process Black C	
Power consumption	300 mA @ 24 V	500 mA @ 24 V
Colors	16.7 M	16 M
LCD viewing angle (Top/Bottom/Left/Right)	50/70/70/70	70/50/70/70
Processor	32 bit RISC Cortex-A8, 600 MHz	
Storage memory	128 MByte	
RAM memory	128 MByte	
USB	Client micro USB 2.0	Host USB 2.0, Client micro USB 2.0
Ethernet	N/A	
Port RS232	COM1 male	
Port RS485	COM1 2/4 wires male, COM3 2 wires male	COM2 2/4 wires male
UL Certification	N/A	
Weight	Approximately 0,25 kg	Approximately 0,52 kg
Dimensions (W x H x D)	128 x 102 x 32 mm / 5.04 x 4.02 x 1.26"	200.4 x 146.5 x 34 mm / 7.89 x 5.77 x 1.34"
Vesa Mount	N/A	
Panel cutout	119 x 93 mm / 4.69 x 3.66"	192 x 138 mm / 7.56 x 5.43"
PCB Coating	N/A	

General characteristics	
Enclosure	Plastic
Products certification	CE
Nominal voltage	24 VDC (-20 % / +20 %)
Operating limits	19.2 - 28.8 VDC

Power isolation	Yes
Power supply earthing	Yes
Voltage resistance	500 VAC (1 minute)
Isolation resistance	> 50 Mohms at 500 VDC
Vibration endurance	10 → 25 Hz (X,Y,Z direction 2G 30 minutes)
Conducted and radiated emissions	EN 55022: 2010 +AC: 2011 classe A CISPR 22: 2008
Electro-Magnetic Interference, harmonic current	EN 61000-3-2: 2014
Electro-Magnetic Interference, voltage flicker	EN 61000-3-3: 2013
Resistance to electrostatic discharge	Immunity to ESD IEC/EN 61000-4-2: 2008
Resistance to HF interference (Immunity) (EN55024: 2010)	Immunity to radiated electrostatic fields IEC/EN 61000-4-3: 2010 Immunity to fast transients (burst immunity) IEC/EN 61000-4-4: 2012 Immunity to shock waves IEC/EN 61000-4-5: 2014 Radio frequency in common mode IEC/EN 61000-4-6: 2013 Immunity to magnetic field IEC/EN 61000-4-8: 2009
Voltage dip, interruption	IEC/EN 61000-4-11: 2004 IEC/EN 61000-4-11: 2004 Ed 2.0
Protection against electric shock	Classe I equipment
Mount	Built-in, fixing by screw clamps (supplied) for 1 → 6 mm panel
Connection	Removable 3-pin screw terminal block (supplied)
Protection rating	NEMA4 / IP 65 Compliant front panel
Operation temperature	0 (32 °F) → +50 °C (122 °F)
Storage temperature	-20 (-4 °F) → +60 °C (140 °F)
Relative humidity	10 → 90% max. (no condensation or dripping water)

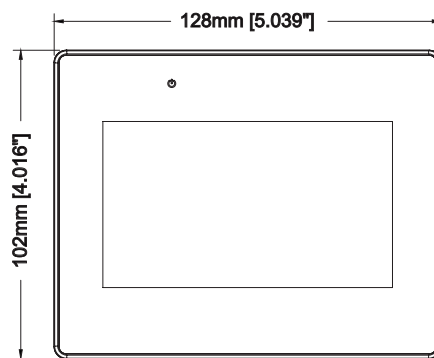
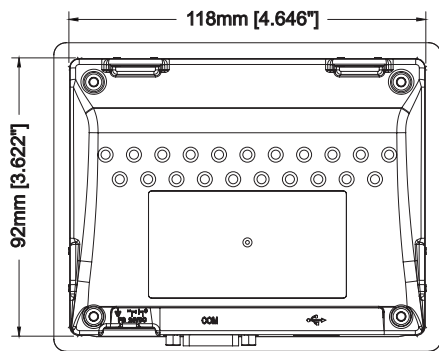
Display

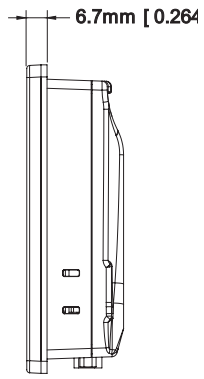
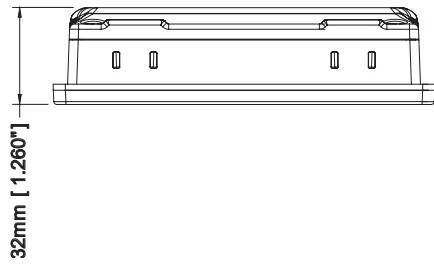
Type	TFT LCD
Contrast ratio	500:1
Backlight type	Led
Backlight life time	> 30.000 Hours
Touch panel: type	4 wires resistive, with user-definable layout
Touch panel: key life	1 million operations minimum
Accuracy	Active Area Length (X) ± 2 %, Width (Y) ± 2 %
Driver Millenium 3	SLIN/SLOUT 24 VDC, XN06
Driver em4	Modbus RS485
Driver Modbus IDA	ASCII, RTU
RTC	Use Millenium 3, em4 or build-in clock
RTC battery	CR2032
RTC time life battery	> 5 years, not rechargeable

Schemes

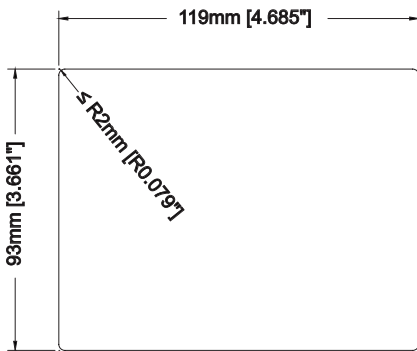
Dimensions

CT104

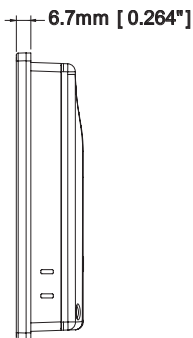
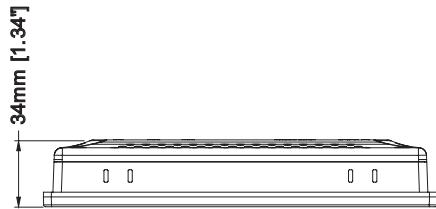
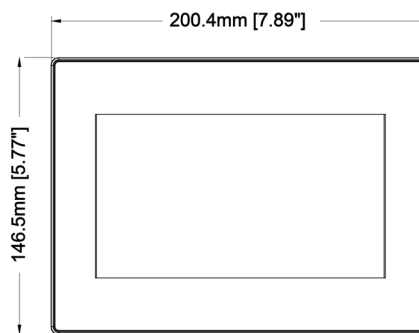
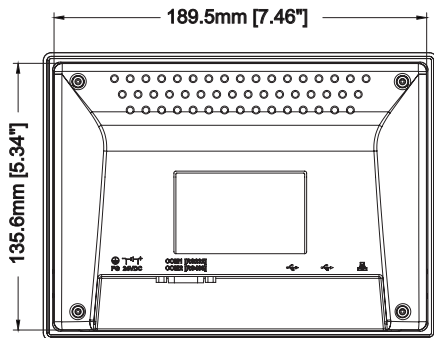




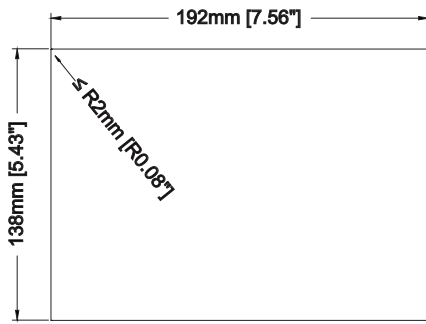
Panel cutout



CT107

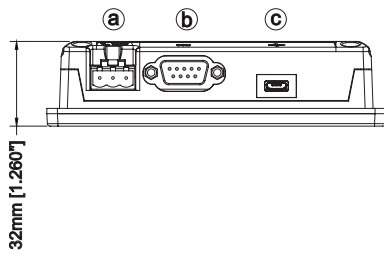


Panel cutout



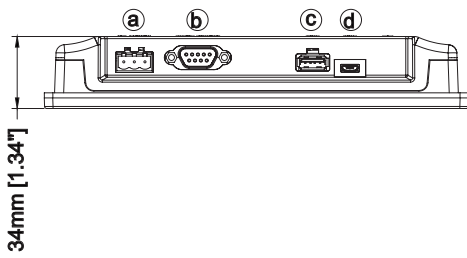
Connections

CT104



- a** Power Connector
- b** COM1 RS232, RS485. COM3 RS485
- c** μUSB

CT107



- a** Power Connector
- b** COM2 RS485. COM3 RS485
- c** USB Host
- d** μUSB