



Chipsmall Limited consists of a professional team with an average of over 10 year of expertise in the distribution of electronic components. Based in Hongkong, we have already established firm and mutual-benefit business relationships with customers from,Europe,America and south Asia,supplying obsolete and hard-to-find components to meet their specific needs.

With the principle of “Quality Parts,Customers Priority,Honest Operation,and Considerate Service”,our business mainly focus on the distribution of electronic components. Line cards we deal with include Microchip,ALPS,ROHM,Xilinx,Pulse,ON,Everlight and Freescale. Main products comprise IC,Modules,Potentiometer,IC Socket,Relay,Connector.Our parts cover such applications as commercial,industrial, and automotives areas.

We are looking forward to setting up business relationship with you and hope to provide you with the best service and solution. Let us make a better world for our industry!



Contact us

Tel: +86-755-8981 8866 Fax: +86-755-8427 6832

Email & Skype: info@chipsmall.com Web: www.chipsmall.com

Address: A1208, Overseas Decoration Building, #122 Zhenhua RD., Futian, Shenzhen, China



Smart range with Removable Terminal blocks XD26RBT Smart Part number 88974561



- Designed for industrial, commercial, medical and paramedical machines
- Faster maintenance process which improves the machine availability rate
- Easier for cabling, allows pre-cabling of the installation
- Simplifies the panel mounting
- Spring cage connectors provide a solution suitable for mobile applications and applications that are subject to vibration
- Compatible with standard 5,08 mm pitch spring cage or screw connectors (angled or straight)
- Features identical to the Millenium 3 Smart range, compatible with any extensions and accessories

Part numbers

| | Type | Designation | Input | Output | Supply |
|----------|---------------|---|---------------------------------|---|---------|
| 88974561 | XD26RBT Smart | Smart Expandable with display and removable terminal blocks | 16 digital (including 6 analog) | 10 relays (8 x 8 A relay and 2 x 5 A relay) | 24 V DC |

Specifications

General environment characteristics for CB, CD, XD, XB, XR and XE product types

| | |
|--|--|
| Certifications | CE, UL, CSA, GL |
| Conformity to standards (with the low voltage directive and EMC directive) | IEC/EN 61131-2 (Open equipment) IEC/EN 61131-2 (Zone B) IEC/EN 61000-6-2, IEC/EN 61000-6-3 (*) IEC/EN 61000-6-4 (*) Except configuration (88 970 1.1 or 88 970 1.2) + (88 970 250 or 88 970 270) + 88 970 241 class A (class B in a metal enclosure) |
| Earthing | Not included |
| Protection rating | In accordance with IEC/EN 60529 : IP40 on front panel IP20 on terminal block |
| Overvoltage category | 3 in accordance with IEC/EN 60664-1 |
| Pollution | Degree : 2 in accordance with IEC/EN 61131-2 |
| Max operating Altitude | Operation : 2000 m Transport : 3048 m |
| Mechanical resistance | Immunity to vibrations IEC/EN 60068-2-6, test Fc Immunity to shock IEC/EN 60068-2-27, test Ea |
| Resistance to electrostatic discharge | Immunity to ESD IEC/EN 61000-4-2, level 3 |
| Resistance to HF interference | Immunity to radiated electrostatic fields IEC/EN 61000-4-3 Immunity to fast transients (burst immunity) IEC/EN 61000-4-4, level 3 Immunity to shock waves IEC/EN 61000-4-5 Radio frequency in common mode IEC/EN 61000-4-6, level 3 Voltage dips and breaks (AC) IEC/EN 61000-4-11 Immunity to damped oscillatory waves IEC/EN 61000-4-12 |
| Conducted and radiated emissions | Class B (*) in accordance with EN 55022, EN 55011 (CISPR22, CISPR11) group 1 (*) Except configuration (88 970 1.1 or 88 970 1.2) + (88 970 250 or 88 970 270) + 88 970 241 class A (class B in a metal enclosure) |
| Operating temperature | -20 → +70 °C except CB and XB versions in VDC : -30 → +70 °C (+40 °C in a non-ventilated enclosure) in accordance with IEC/EN 60068-2-1 and IEC/EN 60068-2-2 |
| Storage temperature | -40 → +80 °C in accordance with IEC/EN 60068-2-1 and IEC/EN 60068-2-2 |
| Relative humidity | 95 % max. (no condensation or dripping water) in accordance with IEC/EN 60068-2-30 |
| Mounting | On symmetrical DIN rail, 35 x 7.5 mm and 35 x 15 mm, or on panel (2 x Ø 4 mm) |
| Screw terminals connection capacity | Flexible wire with ferrule = 1 conductor : 0.25 to 2.5 mm ² (AWG 24...AWG 14) 2 conductors 0.25 to 0.75 mm ² (AWG 24...AWG 18) Semi-rigid wire = 1 conductor : 0.2 to 2.5 mm ² (AWG 25...AWG 14) Rigid wire = 1 conductor : 0.2 to 2.5 mm ² (AWG 25...AWG 14) 2 conductors 0.2 to 1.5 mm ² (AWG 25...AWG 16) Tightening torque = 0.5 N.m (4.5 lb-in) (tighten using screwdriver diam. 3.5 mm) Also valid for spring cage connectors (ref 88 970 313 and 88 970 317 for the RBT range) |

Processing characteristics of CB, CD, XD & XB product types

| | |
|--|--|
| LCD display | CD, XD : Display with 4 lines of 18 characters |
| Programming method | Function blocks / SCF (Grafcet) or Ladder |
| Program size | 8 Kb : 350 typical blocks, 64 macros maximum, 256 blocks maximum per macro or 120 lines in Ladder |
| Program memory | Flash EEPROM |
| Removable memory | EEPROM |
| Data memory | 368 bit/200 words |
| Back-up time in the event of power failure | Program and settings in the controller : 10 years Program and settings in the plug-in memory : 10 years Data memory : 10 years |
| Cycle time | FBD : 6 →90 ms (typically 20 ms) Ladder : typically 20 ms |
| Response time | Input acquisition time : 1 to 2 cycle times |
| Clock data retention | 10 years (lithium battery) at 25 °C |
| Clock drift | Drift < 12 min/year (at 25 °C) 6 s/month (at 25 °C with user-definable correction of drift) |
| Timer block accuracy | 1 % ± 2 cycle times |
| Start up time on power up | < 1,2 s |

Characteristics of products with AC power supplied**Supply**

| | | |
|--------------------------------|---|--|
| Nominal voltage | 24 V AC | 100 →240 V AC |
| Operating limits | -15 % / +20 % or 20.4 V AC→28.8 V AC | -15 % / +10 % or 85 V AC→264 V AC |
| Supply frequency range | 50/60 Hz (+4 % / -6 %) or 47 →53 Hz/57 →63 Hz | 50/60 Hz (+ 4 % / - 6 %) or 47 →53 Hz/57 →63 Hz |
| Immunity from micro power cuts | 10 ms (repetition 20 times) | 10 ms (repetition 20 times) |
| Max. absorbed power | CB12-CD12-XD10-XB10 : 4 VA CB20-CD20 : 6 VA XD10-XB10 with extension : 7.5 VA XD26-XB26 : 7.5 VA XD26-XB26 with extension : 10 VA | CB12-CD12-XD10-XB10 : 7 VA CB20-CD20 : 11 VA XD10-XB10 with extension : 12 VA XD26-XB26 : 12 VA XD26-XB26 with extension : 17 VA |
| Isolation voltage | 1780 V AC | 1780 V AC |

Inputs

| | | |
|--|---|---|
| Input voltage | 24 V AC (-15 % / +20 %) | 100 →240 V AC (-15 % / +10 %) |
| Input current | 4.4 mA @ 20.4 V AC 5.2 mA @ 24.0 V AC 6.3 mA @ 28.8 V AC | 0.24 mA @ 85 V AC 0.75 mA @ 264 V AC |
| Input impedance | 4.6 kΩ | 350 kΩ |
| Logic 1 voltage threshold | ≥ 14 V AC | ≥ 79 V AC |
| Making current at logic state 1 | > 2 mA | > 0.17 mA |
| Logic 0 voltage threshold | ≤ 5 V AC | ≤ 20 V AC (≤ 28 V AC : XE10, XR06, XR10, XR14) |
| Release current at logic state 0 | < 0.5 mA | < 0.5 mA |
| Response time with LADDER programming | 50 ms State 0 →1 (50/60 Hz) | 50 ms State 0 →1 (50/60 Hz) |
| Response time with function blocks programming | Configurable in increments of 10 ms 50 ms min. up to 255 ms State 0 →1 (50/60 Hz) | Configurable in increments of 10 ms 50 ms min. up to 255 ms State 0 →1 (50/60 Hz) |
| Maximum counting frequency | In accordance with cycle time (Tc) and input response time (Tr) : $1 / ((2 \times Tc) + Tr)$ | In accordance with cycle time (Tc) and input response time (Tr) : $1 / ((2 \times Tc) + Tr)$ |
| Sensor type | Contact or 3-wire PNP | Contact or 3-wire PNP |
| Input type | Resistive | Resistive |
| Isolation between power supply and inputs | None | None |
| Isolation between inputs | None | None |
| Protection against polarity inversions | Yes | Yes |
| Status indicator | On LCD screen for CD and XD | On LCD screen for CD and XD |

Characteristics of relay outputs common to the entire range

| | |
|--|---|
| Max. breaking voltage | 5 →30 V DC 24 →250 V AC |
| Breaking current | CB-CD-XD10-XB10-XR06-XR10 : 8 A XD26-XB26 : 8 x 8 A relays, 2 x 5 A relays XE10 : 4 x 5 A relays XR14 : 4 x 8 A relays, 2 x 5 A relays RBT (Removable Terminal Blocks) versions : verify the maximum current according to the type of connection used |
| Electrical durability for 500 000 operating cycles | Utilization category DC-12 : 24 V, 1.5 A Utilization category DC-13 : 24 V (L/R = 10 ms), 0.6 A Utilization category AC-12 : 230 V, 1.5 A Utilization category AC-15 : 230 V, 0.9 A |
| Max. Output Common Current | 12 A for O8, O9, OA |
| Minimum switching capacity | 10 mA (at minimum voltage of 12 V) |
| Minimum load | 12 V, 10 mA |
| Maximum rate | Off load : 10 Hz At operating current : 0.1 Hz |
| Mechanical life | 10,000,000 (operations) |
| Voltage for withstanding shocks | In accordance with IEC/EN 60947-1 and IEC/EN 60664-1 : 4 kV |
| Off-cycle response time | Make 10 ms Release 5 ms |
| Built-in protections | Against short-circuits : None Against overvoltages and overloads : None |
| Status indicator | On LCD screen for CD and XD |

Characteristics of product with DC power supplied

Supply

| | | |
|--|---|--|
| Nominal voltage | 12 V DC | 24 V DC |
| Operating limits | -13 % / +20 % or 10.4 V DC→14.4 V DC (including ripple) | -20 % / +25 % or 19.2 V DC→30 V DC (including ripple) |
| Immunity from micro power cuts | ≤ 1 ms (repetition 20 times) | ≤ 1 ms (repetition 20 times) |
| Max. absorbed power | CB12 with solid state outputs : 1.5 W CD12 : 1.5 W CD20 : 2.5 W XD26-XB26 : 3 W XD26-XB26 with extension : 5 W XD26 with solid state outputs : 2.5 W | CB12-CD12-CD20 with solid state outputs - XD10-XB10 with solid state outputs : 3 W XD10-XB10 with relay outputs : 4 W XD26-XB26 with solid state outputs : 5 W CB20-CD20 with relay outputs : 6 W XD26 with relay outputs : 6 W XD10-XB10 with extension : 8 W XD26-XB26 with extension : 10 W |
| Protection against polarity inversions | Yes | Yes |

Digital inputs (I1 to IA and IH to IY)

| | | |
|---|--|--|
| Input voltage | 12 V DC (-13 % / +20 %) | 24 V DC (-20 % / +25 %) |
| Input current | 3.9 mA @ 10.44 V DC 4.4 mA @ 12.0 V DC 5.3 mA @ 14.4 VDC | 2.6 mA @ 19.2 V DC 3.2 mA @ 24 V DC 4.0 mA @ 30.0 VDC |
| Input impedance | 2.7 kΩ | 7.4 kΩ |
| Logic 1 voltage threshold | ≥ 7 V DC | ≥ 15 V DC |
| Making current at logic state 1 | ≥ 2 mA | ≥ 2.2 mA |
| Logic 0 voltage threshold | ≤ 3 V DC | ≤ 5 V DC |
| Release current at logic state 0 | < 0.9 mA | < 0.75 mA |
| Response time | 1 →2 cycle times + 6 ms | 1 →2 cycle times + 6 ms |
| Maximum counting frequency | Inputs I1 & I2 : FBD (up to 6 k Hz) & Ladder (1 k Hz) Inputs I3 to IA & IH to IY : In accordance with cycle time (Tc) and input response time (Tr) : $1 / ((2 \times Tc) + Tr)$ | Inputs I1 & I2 : FBD (up to 6 k Hz) & Ladder (1 k Hz) Inputs I3 to IA & IH to IY : In accordance with cycle time (Tc) and input response time (Tr) : $1 / ((2 \times Tc) + Tr)$ |
| Sensor type | Contact or 3-wire PNP | Contact or 3-wire PNP |
| Conforming to IEC/EN 61131-2 | Type 1 | Type 1 |
| Input type | Resistive | Resistive |
| Isolation between power supply and inputs | None | None |
| Isolation between inputs | None | None |
| Protection against polarity inversions | Yes | Yes |
| Status indicator | On LCD screen for CD and XD | On LCD screen for CD and XD |

Analogue or digital inputs (IB to IG)

| | | |
|---------------------|-----------------|-----------------|
| CB12-CD12-XD10-XB10 | 4 inputs IB →IE | 4 inputs IB →IE |
| CB20-CD20-XB26-XD26 | 6 inputs IB →IG | 6 inputs IB →IG |

Inputs used as analogue input only in FBD

| | | |
|---|---|---|
| Measurement range | (0 →10 V) or (0 →V power supply) | (0 →10 V) or (0 →V power supply) |
| Input impedance | 14 kΩ | 12 kΩ |
| Input voltage | 14.4 V DC max. | 30 V DC max. |
| Value of LSB | 14 mV | 29 mV |
| Input type | Common mode | Common mode |
| Resolution | 10 bit at max. input voltage | 10 bit at max. input voltage |
| Conversion time | Controller cycle time | Controller cycle time |
| Accuracy at 25 °C | ± 5 % | ± 5 % |
| Accuracy at 55 °C | ± 6.2 % | ± 6.2 % |
| Repeat accuracy at 55 °C | ± 2 % | ± 2 % |
| Isolation between analogue channel and power supply | None | None |
| Cable length | 10 m maximum, with shielded cable (sensor not isolated) | 10 m maximum, with shielded cable (sensor not isolated) |
| Protection against polarity inversions | Yes | Yes |
| Potentiometer control | 2.2 kΩ/0.5 W (recommended) 10 kΩ max. | 2.2 kΩ/0.5 W (recommended) 10 kΩ max. |

Inputs used as digital inputs

| | | |
|---|--|--|
| Input voltage | 12 V DC (-13 % / +20 %) | 24 V DC (-20 % / +25 %) |
| Input current | 0.7 mA @ 10.44 VDC 0.9 mA @ 12.0 VDC 1.0 mA @ 14.4VDC | 1.6 mA @ 19.2 VDC 2.0 mA @ 24.0 V DC 2.5 mA @ 30.0 VDC |
| Input impedance | 14 kΩ | 12 kΩ |
| Logic 1 voltage threshold | ≥ 7 V DC | ≥ 15 VDC |
| Making current at logic state 1 | ≥ 0.5 mA | ≥ 1.2 mA |
| Logic 0 voltage threshold | ≤ 3 V DC | ≤ 5 V DC |
| Release current at logic state 0 | ≤ 0.2 mA | ≤ 0.5 mA |
| Response time | 1 →2 cycle times | 1 →2 cycle times |
| Maximum counting frequency in FBD | In accordance with cycle time (Tc) and input response time (Tr) : $1 / ((2 \times Tc) + Tr)$ | In accordance with cycle time (Tc) and input response time (Tr) : $1 / ((2 \times Tc) + Tr)$ |
| Sensor type | Contact or 3-wire PNP | Contact or 3-wire PNP |
| Conforming to IEC/EN 61131-2 | Type 1 | Type 1 |
| Input type | Resistive | Resistive |
| Isolation between power supply and inputs | None | None |
| Isolation between inputs | None | None |
| Protection against polarity inversions | Yes | Yes |
| Status indicator | On LCD screen for CD and XD | On LCD screen for CD and XD |

Characteristics of relay outputs common to the entire range

| | |
|----------------------------|-----------------------------|
| Max. breaking voltage | 5 →30 V DC 24 →250 V AC |
| Max. Output Common Current | 12A (10A UL) for O8, O9, OA |

| | |
|--|--|
| Breaking current | CB-CD-XD10-XB10-XR06-XR10 : 8 A XD26-XB26 : 8 x 8 A relays, 2 x 5 A relays XE10 : 4 x 5 A relays XR14 : 4 x 8 A relays, 2 x 5 A relays |
| Electrical durability for 500 000 operating cycles | Utilization category DC-12 : 24 V, 1.5 A Utilization category DC-13 : 24 V (L/R = 10 ms), 0.6 A Utilization category AC-12 : 230 V, 1.5 A Utilization category AC-15 : 230 V, 0.9 A |
| Minimum switching capacity | 10 mA (at minimum voltage of 12 V) |
| Minimum load | 12 V, 10 mA |
| Maximum rate | Off load : 10 Hz At operating current : 0.1 Hz |
| Mechanical life | 10,000,000 (operations) |
| Voltage for withstanding shocks | In accordance with IEC/EN 60947-1 and IEC/EN 60664-1 : 4 kV |
| Off-cycle response time | Make 10 ms Release 5 ms |
| Built-in protections | Against short-circuits : None Against overvoltages and overloads : None |
| Status indicator | On LCD screen for CD and XD |

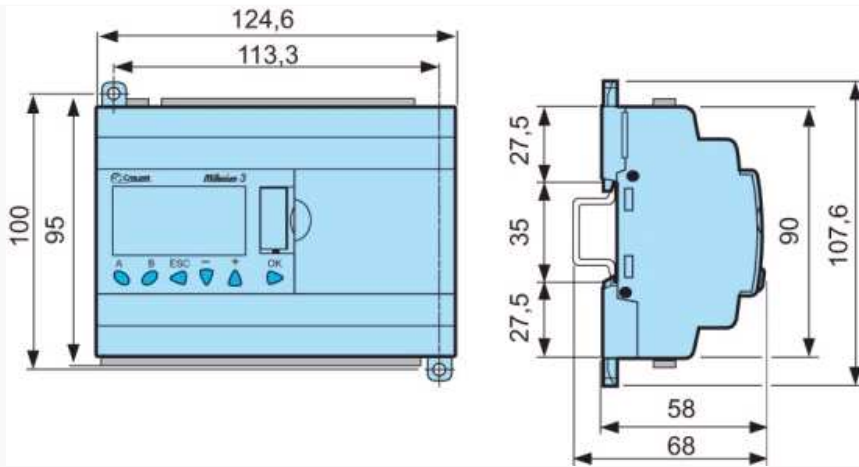
Digital / PWM solid state output

| | | |
|--|--|--|
| PWM solid state output* | CB12 : O4 XD26 : O4 →O7 | CD12-XD10-XB10 : O4 CD20-XD26-XB26 : O4 →O7 |
| * Only available with "FBD" programming language | * Only available with "FBD" programming language | |
| Breaking voltage | 10.4 →30 V DC | 19.2 →30 V DC |
| Nominal voltage | 12-24 VDC | 24 V DC |
| Nominal current | 0.5 A | 0.5 A |
| Max. breaking current | 0,625 A | 0,625 A |
| Voltage drop | ≤ 2 V for I = 0.5 A (at state 1) | ≤ 2 V for I = 0.5 A (at state 1) |
| Response time | Make ≤ 1 ms Release ≤ 1 ms | Make ≤ 1 ms Release ≤ 1 ms |
| Operating frequency | 1 Maximum on inductive load | 1 Maximum on inductive load |
| Built-in protections | Against overloads and short-circuits : Yes Against overvoltages (*) : Yes Against inversions of power supply : Yes (*) In the absence of a volt-free contact between the logic controller output and the load | Against overloads and short-circuits : Yes Against overvoltages (*) : Yes Against inversions of power supply : Yes (*) In the absence of a volt-free contact between the logic controller output and the load |
| Min. load | 1 mA | 1 mA |
| Maximum incandescent load | 0,2 A / 12 V DC 0,1 A / 24 V DC | 0,1 A / 24 V DC |
| Galvanic isolation | No | No |
| PWM frequency | 14.11 Hz 56.45 Hz 112.90 Hz 225.80 Hz 451.59 Hz 1806.37 Hz | 14.11 Hz 56.45 Hz 112.90 Hz 225.80 Hz 451.59 Hz 1806.37 Hz |
| PWM cyclic ratio | 0 →100 % (256 steps for CD, XD and 1024 steps for XA) | 0 →100 % (256 steps for CD, XD and 1024 steps for XA) |
| Max. Breaking current PWM | 50 mA | 50 mA |
| Max. cable length PWM | 20 m | 20 m |
| PWM accuracy at 120 Hz | < 5 % (20 % →80 %) load at 10 mA | < 5 % (20 % →80 %) load at 10 mA |
| PWM accuracy at 500 Hz | < 10 % (20 % →80 %) load at 10 mA | < 10 % (20 % →80 %) load at 10 mA |
| Status indicator | On LCD screen for XD | On LCD screen for CD and XD |

Accessories

| Type | Description | Code |
|---------|--|----------|
| M3 Soft | Multilingual programming software containing specific library functions (CD-ROM) | 88970111 |
| PA | EEPROM memory cartridge | 88970108 |
| PA | 3 m serial link cable : PC →Millenium 3 | 88970102 |
| PA | USB cable 3 m : PC →Millenium 3 | 88970109 |
| PA | Millenium 3 interface →Bluetooth® (class A 10 m) | 88970104 |
| MA | Removable connector (spring cage) kit for NBR12, CD12 RBT | 88970313 |
| MA | Removable connector (spring cage) kit for XD26 RBT | 88970317 |

Dimensions (mm)**XD26 RBT Smart**



Connections

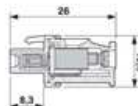
References compatible connectors / Phoenix contact : www.phoenixcontact.com

Connectors

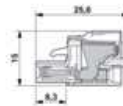
Standard Connectors with screw connection



Vertical Connectors with screw connection



Connectors with spring-cage connection



Maximum load current through electrical contacts

10 A @ 70 °C
12 A @ 60 °C

9 A @ 70 °C
12 A @ 50 °C

12 A @ 70 °C

CD12 RBT Smart



| Qty | | Qty | | Qty | Ref. Crouzet : 88 970 313 |
|-----|--------------------------------|-----|----------------------------------|-----|----------------------------|
| 1 | 2 pins MSTB 2.5 HC/2-ST-5.08 | 1 | 2 pins MVSTBR 2.5 HC/2-ST-5.08 | 1 | 2 pins FKC 2.5/2-ST-5.08 |
| 1 | 8 pins MSTB 2.5 HC/8-ST-5.08 | 1 | 8 pins MVSTBR 2.5 HC/8-ST-5.08 | 1 | 8 pins FKC 2.5/8-ST-5.08 |
| 1 | 11 pins MSTB 2.5 HC/11-ST-5.08 | 1 | 11 pins MVSTBR 2.5 HC/11-ST-5.08 | 1 | 11 pins FKC 2.5/11-ST-5.08 |

XD26 RBT Smart



| Qty | | Qty | | Qty | Ref. Crouzet : 88 970 317 |
|-----|--------------------------------|-----|----------------------------------|-----|----------------------------|
| 1 | 2 pins MSTB 2.5 HC/2-ST-5.08 | 1 | 2 pins MVSTBR 2.5 HC/2-ST-5.08 | 1 | 2 pins FKC 2.5/2-ST-5.08 |
| 1 | 17 pins MSTB 2.5 HC/17-ST-5.08 | 1 | 17 pins MVSTBR 2.5 HC/17-ST-5.08 | 1 | 17 pins FKC 2.5/17-ST-5.08 |
| 3 | 5 pins MSTB 2.5 HC/5-ST-5.08 | 3 | 5 pins MVSTBR 2.5 HC/5-ST-5.08 | 3 | 5 pins FKC 2.5/5-ST-5.08 |
| 1 | 7 pins MSTB 2.5 HC/7-ST-5.08 | 1 | 7 pins MVSTBR 2.5 HC/7-ST-5.08 | 1 | 7 pins FKC 2.5/7-ST-5.08 |

Product adaptations



- Blind versions
- Static outputs versions
- 12 VDC, 24 VAC power supply versions
- Not feasible in 110-230 VAC for safety reason
- I/O expansions
- UL - cUL certification