



Chipsmall Limited consists of a professional team with an average of over 10 year of expertise in the distribution of electronic components. Based in Hongkong, we have already established firm and mutual-benefit business relationships with customers from,Europe,America and south Asia,supplying obsolete and hard-to-find components to meet their specific needs.

With the principle of “Quality Parts,Customers Priority,Honest Operation,and Considerate Service”,our business mainly focus on the distribution of electronic components. Line cards we deal with include Microchip,ALPS,ROHM,Xilinx,Pulse,ON,Everlight and Freescale. Main products comprise IC,Modules,Potentiometer,IC Socket,Relay,Connector.Our parts cover such applications as commercial,industrial, and automotives areas.

We are looking forward to setting up business relationship with you and hope to provide you with the best service and solution. Let us make a better world for our industry!



Contact us

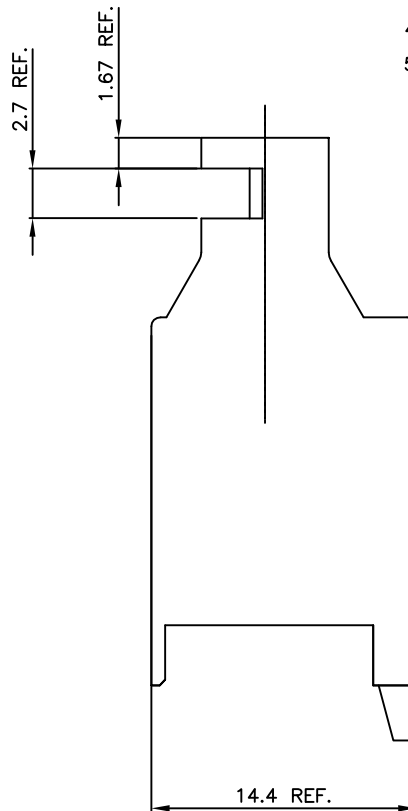
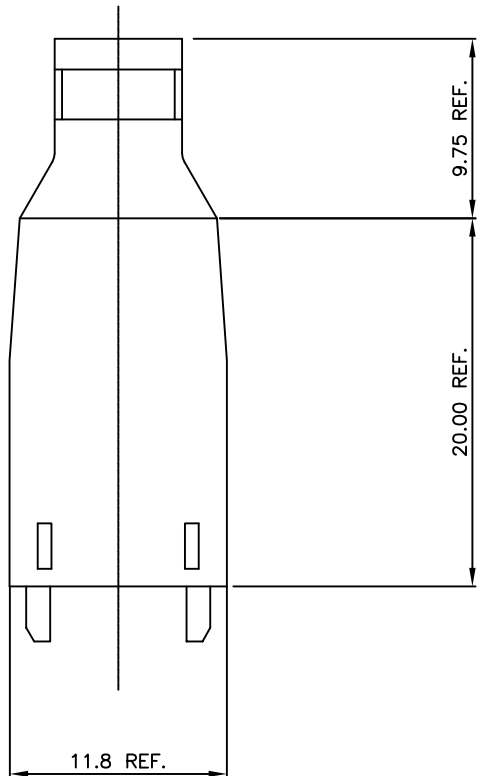
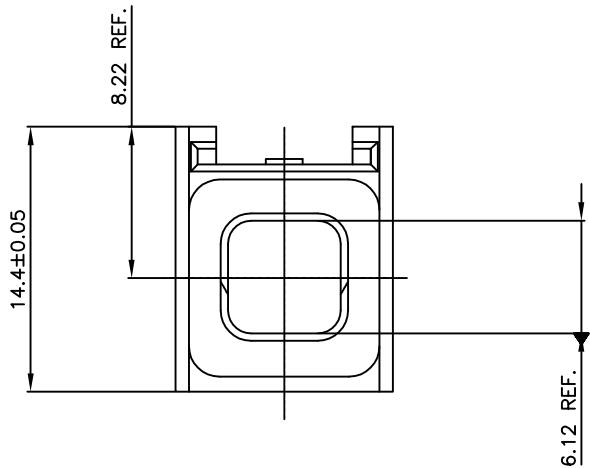
Tel: +86-755-8981 8866 Fax: +86-755-8427 6832

Email & Skype: info@chipsmall.com Web: www.chipsmall.com

Address: A1208, Overseas Decoration Building, #122 Zhenhua RD., Futian, Shenzhen, China



PRODUCT NUMBER 88976-001LF



NOTES:

1. MATERIAL: THERMOPLASTIC POLYESTER 30% GLASS FILLED. FLAME RETARDANT ACCORDING UL-94-V0. COLOR: BLACK.
2. ALL DIMENSION SHOWN ARE REFERENCE.
3. STANDARD METRAL (tm) CABLE CONNECTOR LATCH IS USED WITH THIS COVER.
4. THIS PRODUCT MEETS EUROPEAN UNION DIRECTIVES AND OTHER COUNTRY REGULATIONS AS DESCRIBED IN GS-22-008.
5. THE PRODUCT IS NOT INTENDED TO BE EXPOSED TO A MANUFACTURING SOLDER PROCESS.

All rights strictly reserved. Reproduction or use in any form without the written permission of FCI is prohibited. © FCI Inc.

mat'l code SEE NOTE 1.		tolerances unless otherwise specified		CUSTOMER COPY	ELECTRONICS www.fciconnect.com	
ltr	ecn no	dr	date	linear	projection	title
A	H10346	DAN	920424			
B	0005-0436	CLU	051103	angles		Cable Cover mini coax 3x3 product family: METRAL(tm)
				dr		
				eng		
				chr	P Schalk	920424
				app	D Andrews	920424
sheet	revision			scale	5:1	A2
Indx	sheet			size		dwg no
						88976
						code
						213
						sheet
						1 of 1

PDM: Rev.B

STATUS: Released

Printed: Jul 29, 2010