



Chipsmall Limited consists of a professional team with an average of over 10 year of expertise in the distribution of electronic components. Based in Hongkong, we have already established firm and mutual-benefit business relationships with customers from,Europe,America and south Asia,supplying obsolete and hard-to-find components to meet their specific needs.

With the principle of “Quality Parts,Customers Priority,Honest Operation,and Considerate Service”,our business mainly focus on the distribution of electronic components. Line cards we deal with include Microchip,ALPS,ROHM,Xilinx,Pulse,ON,Everlight and Freescale. Main products comprise IC,Modules,Potentiometer,IC Socket,Relay,Connector.Our parts cover such applications as commercial,industrial, and automotives areas.

We are looking forward to setting up business relationship with you and hope to provide you with the best service and solution. Let us make a better world for our industry!



Contact us

Tel: +86-755-8981 8866 Fax: +86-755-8427 6832

Email & Skype: info@chipsmall.com Web: www.chipsmall.com

Address: A1208, Overseas Decoration Building, #122 Zhenhua RD., Futian, Shenzhen, China

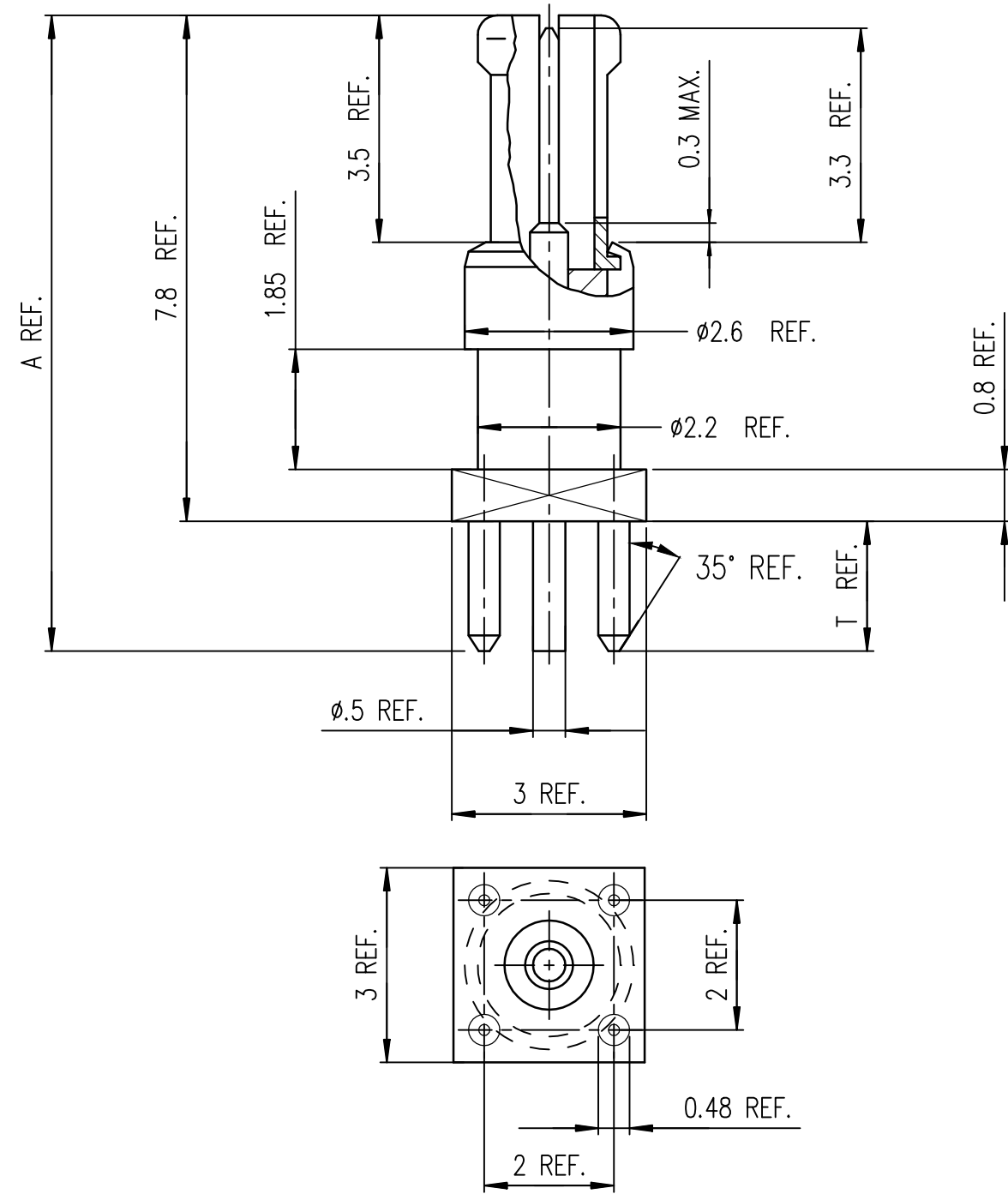




© 2016 AFCI

© 2016 AFCI

LEAD-FREE P/N	DIM T	DIM A	REMARK
88980-001LF	2.00	9.80	magnetic
88980-002LF	2.50	10.30	magnetic
88980-003LF	3.00	10.80	magnetic
88980-004LF	3.50	11.30	magnetic
88980-005LF	2.50	10.30	non-magnetic



NOTES: RoHS information

1. THIS PRODUCT MEETS EUROPEAN UNION DIRECTIVES AND OTHER COUNTRY REGULATIONS AS DESCRIBED IN GS-22-008.
2. SOLDER PROCESS : +250°C max during 10 seconds.
3. PACKAGING SPEC: SEE GS-14-920

mat'l. code		surface ISO 1302 ✓		tolerance ISO 406 ISO 101		projection		product family METRAL			
ltr	ecn no	dr	date	tolerances unless otherwise specified				title			
L	ELX-I-25112	SAL	2016-10-11	angles	linear	mm		STR STB HDR MINICOAX INSERT			
				0°±x'	.0±.x	scale 1:1		dwg no 88980 sheet 1 of 1 size A3			
				dr	ANDREWS	1992-04-24	Amphenol FCI		type Product Customer Drawing		
				enr	GOISNARD	1992-04-24					
				chr	S ALOSIUS	2016-10-11					
				app	BIJU K PAUL	2016-10-11					
sheet index	revision sheet	L	1								